

DOSTEC 40: TECHNICAL FEATURES

D40 002

CODE FORMULATION

60 - A P 4 4 - P61 P P M

| MOTOR | HEAD | FREQUENCY | STROKE | DIAMETER | CYLINDER -PISTON | VALVE -BALL | CONNECTION |
|---|---------------------------|--|---|---|--|---|---|
| A: 3 Ph B: 2Ph 50Hz C: 2Ph 60Hz D: 12V DC 130W E: 12V DC 300W F: 24V DC 130W G: 24V DC 300W | P: Piston D: Diaphragm | 1: 22 Strokes/min. 2: 36 Strokes/min. 3: 60 Strokes/min. 4: 120 Strokes/min. 5: 144 Strokes/min. | 1: 4,5 mm 2: 7,5 mm 3: 9 mm 4: 15 mm | P24: Ø 24 mm P34: Ø 34 mm P49: Ø 49 mm P61: Ø 61 mm P77: Ø 77 mm D69: Ø 69 mm D95: Ø 95 mm D115: Ø115 mm | P: PP - PEUHMW C: PP - Ceramic I: S316 - Ceramic F: PVDF - Ceramic T: PTFE - Ceramic | P: PP - Soda B: PP - Boro. I: S316 - S316 F: PVDF - Boro. T: PTFE - Boro. | M: 3/4" L: 6x12 (6x8 PVDF) X: 1"1/4 |

P: Piston
D: Diaphragm

FLOW- PRESSURE

| CODE | Flow | | | | PRESSURE | | **Suction lift | |
|-----------------|------|------|------|------------|----------|-----|----------------|----|
| | 50Hz | | 60Hz | | bar | PSI | m | ft |
| | l/h | GPH | l/h | GPH | | | | |
| 60-AP11-P24__L | 2,5 | 0,6 | 3 | 0,8 | 20/15 | 217 | 9 | 30 |
| 60-AP13-P24__L | 5 | 1,3 | 6 | 1,6 | 20/15 | 217 | 9 | 30 |
| 60-AP14-P24__L | 9 | 2,4 | 10,5 | 2,7 | 20/15 | 217 | 9 | 30 |
| 60-AP33-P24__L | 15 | 4 | 18 | 4,7 | 20/15 | 217 | 9 | 30 |
| 60-AP34-P24__L | 25 | 6,6 | 30 | 8 | 20/15 | 217 | 9 | 30 |
| *60-AP53-P24__L | 36 | 9,5 | - | - | 15 | 217 | 9 | 30 |
| 60-AP44-P24__L | 50 | 13,2 | 60 | 16 | 15 | 217 | 9 | 30 |
| 60-AP34-P34__M | 50 | 13,2 | 60 | 16 | 15 | 217 | 9 | 30 |
| *60-AP53-P34__M | 72 | 19 | - | - | 15 | 217 | 9 | 30 |
| 60-AP32-P61__M | 75 | 20 | 90 | 24 | 7 | 100 | 6 | 20 |
| 60-AP44-P34__M | 100 | 26,4 | 120 | 31,7 | 15 | 217 | 9 | 30 |
| 60-AP34-P49__M | 100 | 26,4 | 120 | 31,7 | 11 | 160 | 8 | 26 |
| *60-AP54-P34__M | 120 | 31,7 | - | - | 15 | 217 | 9 | 30 |
| *60-AP53-P49__M | 144 | 38,7 | - | - | 11 | 160 | 8 | 26 |
| 60-AP34-P61__M | 150 | 40 | 180 | 48 | 7 | 100 | 6 | 20 |
| 60-AP44-P49__M | 200 | 52,8 | 240 | 63,4 | 11 | 160 | 8 | 26 |
| *60-AP54-P49__M | 240 | 63,4 | - | - | 11 | 160 | 8 | 26 |
| 60-AP34-P77__M | 250 | 66 | 300 | 79 | 4,5 | 65 | 5 | 16 |
| 60-AP44-P61__M | 300 | 79 | 360 | 95 | 7 | 100 | 5 | 16 |
| *60-AP54-P61__M | 360 | 95 | - | - | 7 | 100 | 4 | 13 |
| 60-AP44-P77__M | 500 | 132 | 600 | 158 | 4,5 | 65 | 1,5 | 5 |
| *60-AP54-P77__M | 600 | 158 | - | - | 4 | 58 | 0,5 | 2 |

DOSTEC 40: TECHNICAL FEATURES

D40 002

| | CODE | FLOW | | | | PRESSURE | | **Suction lift | |
|------------------|-----------------|-----------|-----------|-----------|-----------|----------|-----|----------------|----|
| | | 50Hz | | 60Hz | | bar | PSI | m | ft |
| | | l/h | GPH | l/h | GPH | | | | |
| Diaphragm | 60-AD11-D69__L | 5.3-8 | 1.4-2.1 | 6.4-9.5 | 1.7-2.5 | 16 | 232 | 9 | 30 |
| | 60-AD21-D69__L | 9.1-13 | 2.4-3.4 | 10.9-15.5 | 2.9-4 | 16 | 232 | 9 | 30 |
| | 60-AD31-D69__L | 15.2-22 | 4.0-5.8 | 18.2-26 | 4.8-7 | 16 | 232 | 9 | 30 |
| | 60-AD41-D69__L | 32-44 | 8.4-11.6 | 38-53 | 9.6-14 | 15 | 217 | 9 | 30 |
| | 60-AD33-D69__M | 35-47 | 9.2-12.4 | 42-56 | 11-15 | 10 | 145 | 4 | 13 |
| | *60-AD51-D69__L | 38-53 | 10-14 | - | - | 15 | 217 | 9 | 30 |
| | 60-AD42-D69__M | 57-77 | 15-20.3 | 68-92 | 18-24.6 | 10 | 145 | 8 | 26 |
| | 60-AD32-D95__M | 60-73 | 15.9-19.3 | 72-88 | 19-23.1 | 8 | 116 | 9 | 30 |
| | 60-AD43-D69__M | 69-93 | 18.2-24.5 | 83-111 | 22-29.4 | 10 | 145 | 4 | 13 |
| | 60-AD33-D95__M | 72-87 | 19-23 | 86-104 | 22.8-27.6 | 8 | 116 | 9 | 30 |
| | *60-AD51-D95__M | 86-104 | 22.7-27.5 | - | - | 8 | 116 | 9 | 30 |
| | 60-AD32-D115__M | 105-119 | 27.7-31.4 | 45.7-55.2 | 33-38 | 5 | 72 | 9 | 30 |
| | 60-AD42-D95__M | 120-144 | 31.7-38 | 144-173 | 38-45.6 | 8 | 116 | 9 | 30 |
| | 60-AD33-D115__M | 126-143 | 33.3-37.8 | 151-172 | 40-45 | 5 | 72 | 8 | 26 |
| | 60-AD43-D95__M | 144-174 | 38-46 | 173-209 | 45.6-55 | 8 | 116 | 8 | 26 |
| | *60-AD53-D95__M | 173-209 | 45.7-55.2 | - | - | 8 | 116 | 8 | 26 |
| | 60-AD42-D115__M | 209-237 | 55.2-62.6 | 251-284 | 66-75 | 5 | 72 | 8 | 26 |
| | 60-AD43-D115__M | 251-285 | 66.3-75.3 | 301-342 | 79-90 | 5 | 72 | 7 | 23 |
| *60-AD53-D115__M | 301-342 | 79.5-90.3 | - | - | 5 | 72 | 7 | 23 | |

20bars models only with ceramic piston

Models with _L include priming valve

*Can not work at 60Hz

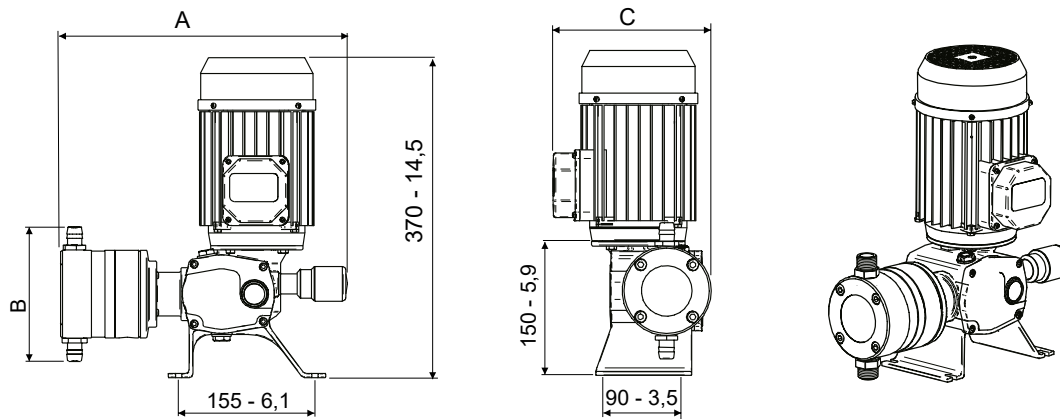
** Suction lift when dosing head an suction pipe are full. Tested with water at 20°C

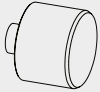

MATERIALS

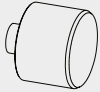

TECHNICAL FEATURES

| | |
|----------------|---|
| Piston: | PEUHMW / Ceramic |
| Diaphragm: | Elastomer base reinforced with fiber and P.T.F.E clothing |
| Retention: | FPM |
| Cylinder: | P.P. / AISI 316 / PVDF / PTFE |
| Valve (body): | P.P. / AISI 316 / PVDF / PTFE |
| Valve (ball) : | Soda lime / Borosilicate / Ceramic |
| Ring gear : | Bronze |
| Pinion: | F-154 CEM. |
| Block: | Aluminium cast |
| Shaft: | F-154 CEM. |

DIMENSIONS



| | | l/h | A | B | C |
|----|---|------|-----|-----|-----|
| mm |  | P77 | 320 | 175 | 205 |
| | | Rest | 320 | 154 | 195 |
| |  | l/h | A | B | C |
| | | D69 | 280 | 154 | 195 |
| | | D95 | 285 | 184 | 195 |
| | | D115 | 285 | 204 | 207 |

| | | l/h | A | B | C |
|----|--|------|------|-----|-----|
| in |  | P77 | 12,6 | 6,9 | 8 |
| | | Rest | 12,6 | 6 | 7,6 |
| |  | l/h | A | B | C |
| | | D69 | 11 | 6 | 7,6 |
| | | D95 | 11,2 | 7,2 | 7,6 |
| | | D115 | 11,2 | 8 | 8,1 |

WEIGHT: 10 Kg (22 lb)

MOTOR

POWER: 0.37 KW (0.5 HP)
PROTECTION: IP-55