

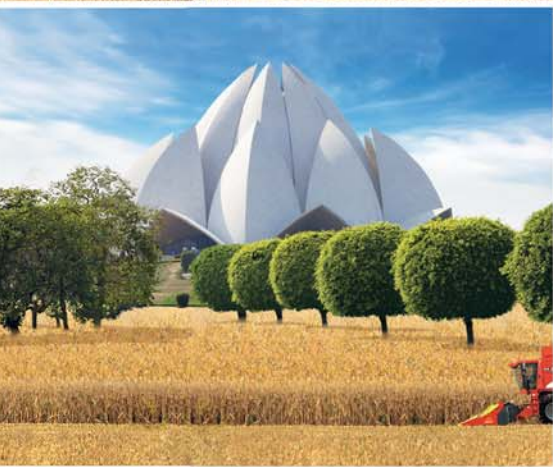
DRAGO 2



THE INTELLIGENT CORN HEAD

olmac

olimac Italian industry worldwide leader of corn heads.



INNOVATION

Olimac has been designing and building corn and sunflower-sorghum-hemp harvesting machinery for over sixty years. This particularity, which is unique in the world, has enabled the company to concentrate on research and continuous technological innovations.

DRAGO 2

The new series of corn head Drago2 has much more higher performances, it is efficient and full of accessories already belonging to the previous model: a great heap of high technology and extraordinary qualities able to allow a complete harvest, with no losses of ears and kernels, at a higher working speed.



IN ALL THE CORNFIELDS IN THE WORLD

Drago2 is at work in all the cornfields in the world. From Europe to the United States of America, from Asia to Australia, is the main point of reference for operators in the sector.

DRAGO2

DRAGO² Total harvesting without losses.



olmac

Unique in the world with automatic self-adjusting deck plates, no operator's intervention required.

OLIMAC
WORLDWIDE
PATENT

AUTOMATIC SELF-ADJUSTING DECK PLATES



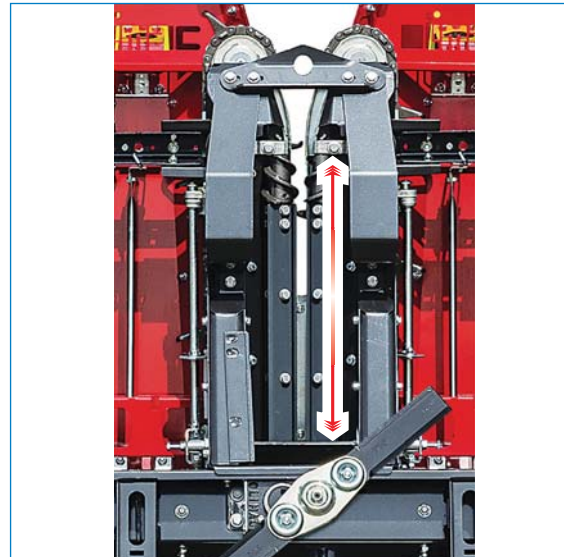
They adjust automatically and simultaneously according to the size of the stalk they encounter. The automatic self-adjustment is performed separately on each row: **total harvesting without losses, corn stalk perfectly pressed, productivity grows.**

NO ADJUSTMENT - WORK FASTER

The operator does not need to make any adjustments. The work is faster, more precise and better quality.

+25%

LONGER STALK ROLLERS



The stalk rollers are longer for a gentler separation of the ear from the plant: **corn stalk perfectly pressed, total harvesting without losses.**

THE ONLY ONE IN THE WORLD

There are corn heads that leave ears and corn kernels in the field: with Drago2 this does not happen. Drago2 is the only corn head in the world equipped with automatic self-adjusting deck plates and longer stalk rollers: no operator's intervention, corn stalk perfectly pressed, total harvesting without losses.

BEAUTIFUL AND CLEAN PRODUCT



Thanks to these exclusive features, Drago2 perfectly separates the ear from the stalk, so the combine harvester is able to produce a cleaner end-product.

MORE RELIABLE, MORE PRODUCTIVE

Drago2 offers more reliability and productivity compared to normal corn heads, even in the most difficult work conditions and with down corn.

DRAGO2

Drago2 is my choice because of its higher productivity.



olimac

Check the comparison with normal corn heads.

ALL THE OTHER
CORN HEADS

DRAGO²

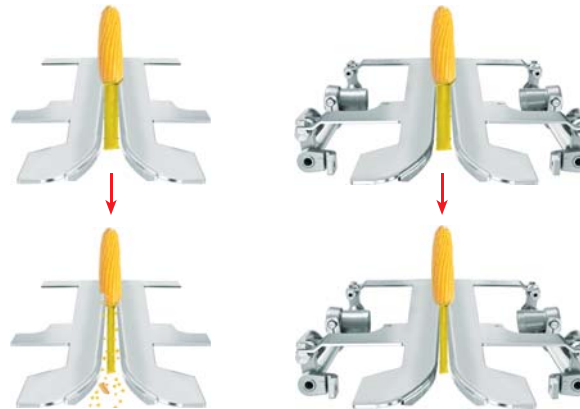
COMPARISON BETWEEN DECK PLATES

OLIMAC
PATENT

FIXED OPENING

The opening of plates does not change to match the different size of the stalks encountered by the plates. Opening can be manually adjusted by the operator, an imprecise system that causes the loss of a lot of product.

CONSEQUENCES:
an inaccurate system that results in the loss of much product.



AUTOMATICALLY VARIABLE OPENING

The opening of plates constantly changes to match the different size of the stalks encountered by the deck plates during the work.

ADVANTAGES:

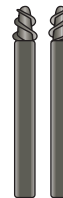
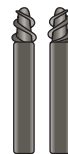
total harvesting without losses, corn stalk perfectly pressed, productivity grows. No operator's intervention required.

COMPARISON BETWEEN STALK ROLLERS

STANDARD LENGTH

Standard peripheral rotation speed.

CONSEQUENCES:
Ears violent separate from the plant, causing the loss of kernels.



LONGER

Lower peripheral rotation speed.

ADVANTAGES:

a gentler separation of the ear from the plant, harvesting without losses.



WORKING WITHOUT STRESS

With Drago2 you will work without any stress because you will not need to make any adjustment while harvesting. Even in the worst conditions you will work calmly thanks to the exclusive performances and superior reliability of Olimac corn heads.

DRAGO²

With Drago2 I can harvest all down corn
and with the built-in stalk chopper, the field is ready to be ploughed.



olmac

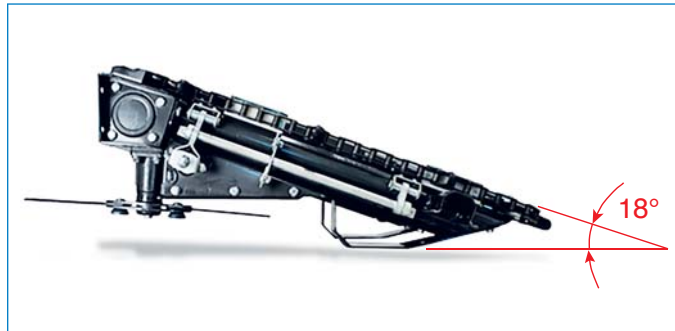
LOW PROFILE CONSTRUCTION AND LATERAL AUGERS

The exclusive low-profile construction and the efficient work of the lateral augers determine a safe penetration of the down corn allowing for a total harvest of low-lying and hanging corns.



18° WORKING ANGLE

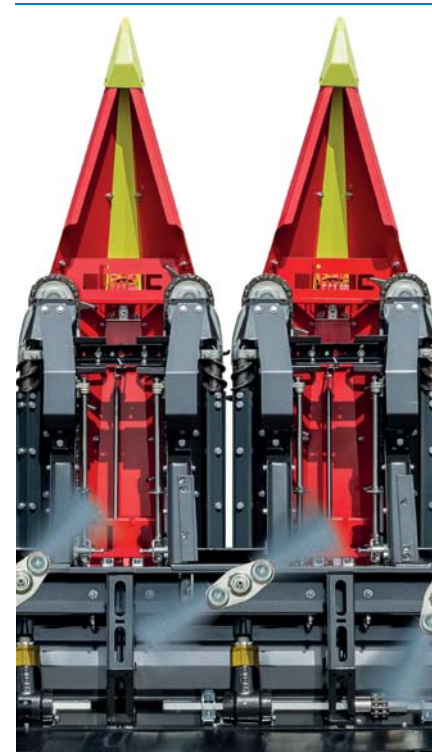
In working position, the inclination of the row-group with respect to the ground has a lower angle than most corn heads have: this special feature allows **harvesting all down corn without any problems**. Besides, **the low inclination of the row-group avoids the ears to bounce out of the machine**, which is something quite common with other corn heads.



OLIMAC
SPECIAL

STALK CHOPPER

Upon request, the Drago2 corn head is equipped with a built-in stalk chopper with rotary blades. With very low power consumption, the stalk chopper crushes the corn stalks leaving the field ready for plowing.



Drago2 at work with the stalk chopper



Corn head at work without stalk chopper



ROBOTIC CONTROL OF THE COMPONENTS - 100% QUALITY

All mechanical Drago2 components are controlled by sophisticated measuring instruments which check the correct size. The control system, unique in the sector, is completely robotic and allows to reach a higher quality together with a perfect and long lasting functionality of the corn head, without any possibility of error.



OLIMAC
EXCLUSIVE

DRAGO2



DRAGO²

in all the corn fields of the world,
on whatever type and brand of combine harvester.



4 to 24 rows, fixed and foldable, customised according to your needs.



CUSTOMIZATION

Olimac has a department dedicated solely to the customization of Drago2 corn heads. A team of technicians develops and fine tunes special configurations to satisfy specific requests from each Customer.

ENTER INTO THE EXCLUSIVE DRAGO CLUB

A leap in quality that allows you to perform a job more productively and profitably thanks to an innovative technology that is unique in the world.



Easy transport on the road.



CORN HEAD			STALK CHOPPER
ROWS no.	ROW SPACING cm	WEIGHT kg	WEIGHT kg
4	from 70 to 80	1.360	60
5	from 70 to 80	1.700	75
6	from 50 to 80	2.040	90
8	from 50 to 80	2.750	120
10	from 50 to 80	3.100	150
12	from 50 to 80	3.700	180
16	from 50 to 80	4.900	240
18	from 50 to 80	5.600	270
24	from 50 to 60	7.200	360
FOLDABLE CORN HEAD			STALK CHOPPER
ROWS no.	ROW SPACING cm	WEIGHT kg	WEIGHT kg
5	from 70 to 80	1.800	75
6	from 70 to 80	2.160	90
7	from 70 to 80	2.520	105
8	from 70 to 80	2.880	120
9	from 70 to 80	3.240	135
10	from 70 to 80	3.600	150
12	from 70 to 80	4.400	180
18	50	6.800	270

A COMPLETE PRODUCT RANGE - You can have a Drago2 with 4 to 24 rows, fixed or foldable, customized according to your needs.

UNIVERSAL - Drago2 is universal and it can be applied on any type and brand of combine harvester and self-propelled shredder.

FOLDABLE FROM THE OPERATOR'S PLATFORM - Drago2 is directly foldable from the operator's platform. Its reduced dimensions (3-3,20 m) and total visibility allow for convenient on-road transport.

SUPPORT AND ORIGINAL (OEM) SPARE PARTS - A worldwide network of Olimac Authorized Service Centers assures competent support and rapid response to solve any problem. The use of original Olimac spare parts will guaranty safe operation and a long life for your Drago2 corn head.

DRAGO2

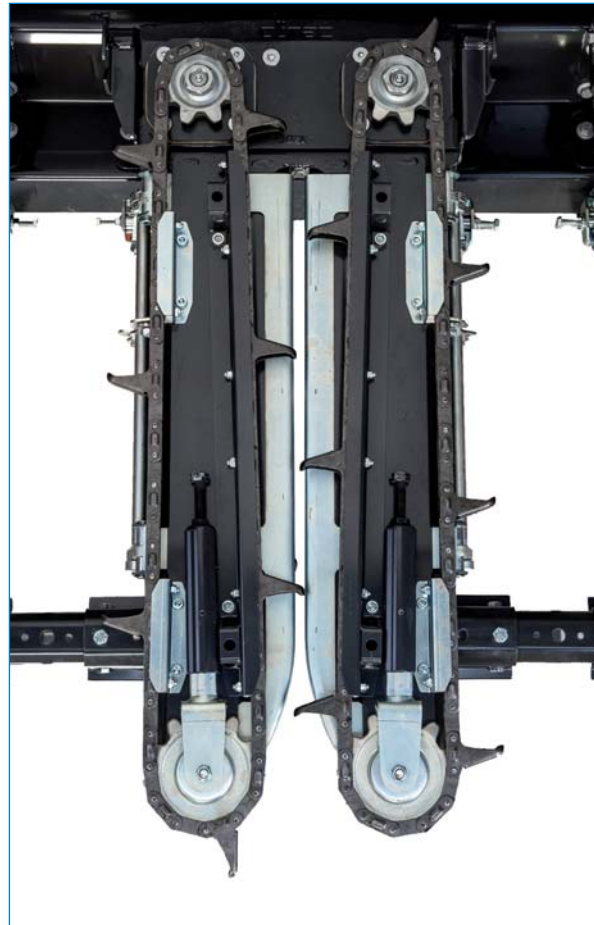
Long-lasting with minimal maintenance.



Bevel gear pairs



Oil-bathed transmission components: long-life chain never has to be changed.



Gathering chains

HARDENED STEEL BEVEL GEAR PAIRS AND SLIP CLUTCH

Each row unit is built with oil bathed mechanical gear boxes with hardened steel bevel gear pairs. Each row unit is also equipped with a slip clutch that protects its transmission components.

REINFORCED STEEL GATHERING CHAINS WITH HARD CHROME PINS

The reinforced steel gathering chains with hard chrome pins are self-adjusted by a spring that absorbs stress.

KNIFE STALK ROLLERS

The interchangeable blades are made of tungsten carbide.

WEED KNIVES

They prevent material wrappage around the stalk rollers.

EASY AND QUICK MAINTENANCE

Thanks to body components equipped with rapid-release mechanisms, transmission elements can be easily accessed without the use of tools, allowing for quick maintenance.

Rich equipment of accessories.



Ear stopping rubber



Stalk pressing kit



Levelling sensor kit



Light bar

EAR STOPPING RUBBER ELEMENTS
FOR HILL AREAS OR WITH HIGHT DIFFERENCE

STALK PRESSING KIT
FOR COMBINE-HARVESTER TYRE PROTECTION

AUTOMATIC LEVELLING
SENSOR KIT

LIGHT BAR
FOR ON-ROAD TRANSPORT

DIRECTIONAL CHANGE CRANKCASE



STALK CONVEYOR ON THE CHOPPING DEVICE



It conveys all stalks on the chopping device.

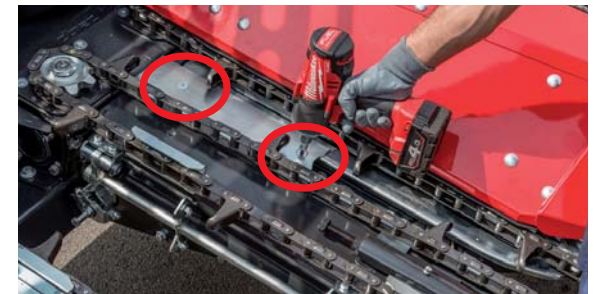
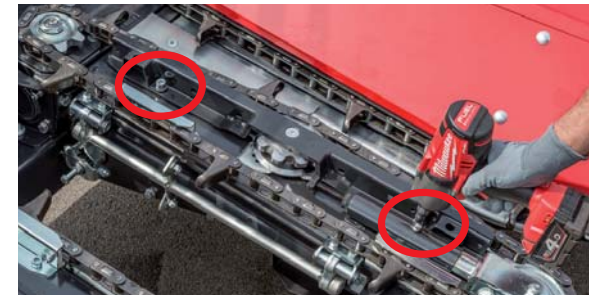
SUNFLOWER KIT



Lateral and rear fall protection grid



Sunflower stalk cutting rotor



It takes less than a minute to assemble and disassemble the sunflower kit.



THREE-TIMES LONG LASTING PAINTING

Very high-quality painting that ensures excellent aesthetics, preserves from rust and guarantees longer life and efficiency of the corn head. Olimac plant, that is totally automatic and robotic, ensures a lifetime of the painting three-times higher than the average of the sector.

Three types of transmission for all working conditions.



OIL DROP LUBRICATION INTERNAL TRANSMISSION



OIL-BATHED EXTERNAL TRANSMISSION WITH INTERMEDIATE JOINT

High-performing transmission.
Zero maintenance, no re-lubrication required,
total protection from impurities and foreign objects.

The intermediate joint allows the corn head to be folded
for on-road transport without removing the cardan shaft.



OIL-BATHED EXTERNAL TRANSMISSION IDEAL FOR HILL AREAS

High-performing transmission.
Zero maintenance, no re-lubrication required,
total protection from impurities and foreign objects.
Ideal for hill areas.

DRAGON2

A completely robotic high-tech plant. 100% quality.



A part of the production area. In the foreground, laser guided vehicles.

Completely automated painting, with coverage lasting three times longer than average in the sector.

The pieces to be painted are hooked up to special overhead rails and transported to the painting stages.

Stage 1
shot blasting

Stage 2
blowing shot residues

Stage 3
the robots spray the primer onto the piece

Stage 4
primer drying oven

Stage 5
the robots spray the finishing powder onto the piece

Stage 6
baking oven

Area
for delivery of painted parts



AN INDUSTRIAL COMPLEX UNIQUE IN THE WORLD

The new Olimac plant that covers a company-owned area of over 90,000 sqm is a completely automated industrial complex, unique in this sector worldwide. All Drago2 corn head parts are designed and built by Olimac in total autonomy.

The Research and Design department is the real propelling nucleus of the whole of Olimac's activity: the technology designed and all the production processes are transmitted by the IT network to the machine tools. Controls on all phases of production are thorough and ensure higher quality.



Research and Design Department



Automatic warehouse



Twenty automated turning islands

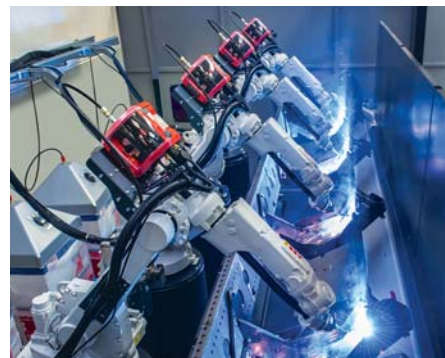


Eight horizontal work station:
production of transmission boxes and gears

Automated laser cutting systems



Twelve robotic welding islands and
one island with four twinned robots



Bevel gear pair robotic production
(unique in the sector)



One of the painting robots



DOMOTICS

A state-of-the-art domotics system allows the coordinated, integrated and computerised management of technological systems and controls all the plant functions.



Olimac s.r.l. - Via Cuneo, 41 - 12040 Margarita (Cuneo) Italy
tel +39.0171.384898 - fax +39.0171.384904 - info@olimac.it - www.olimac.it

