

**THE
ESSENTIAL**
UP TO 1250 A

LASER MARKING

Simple and permanent product identification.



QR CODE

Instant access to instructions for use.



ANTIBACTERIAL TREATMENT

Contamination prevention.





SUMMARY

Since 1952, MARECHAL ELECTRIC has been the reference in terms of power connection safety.

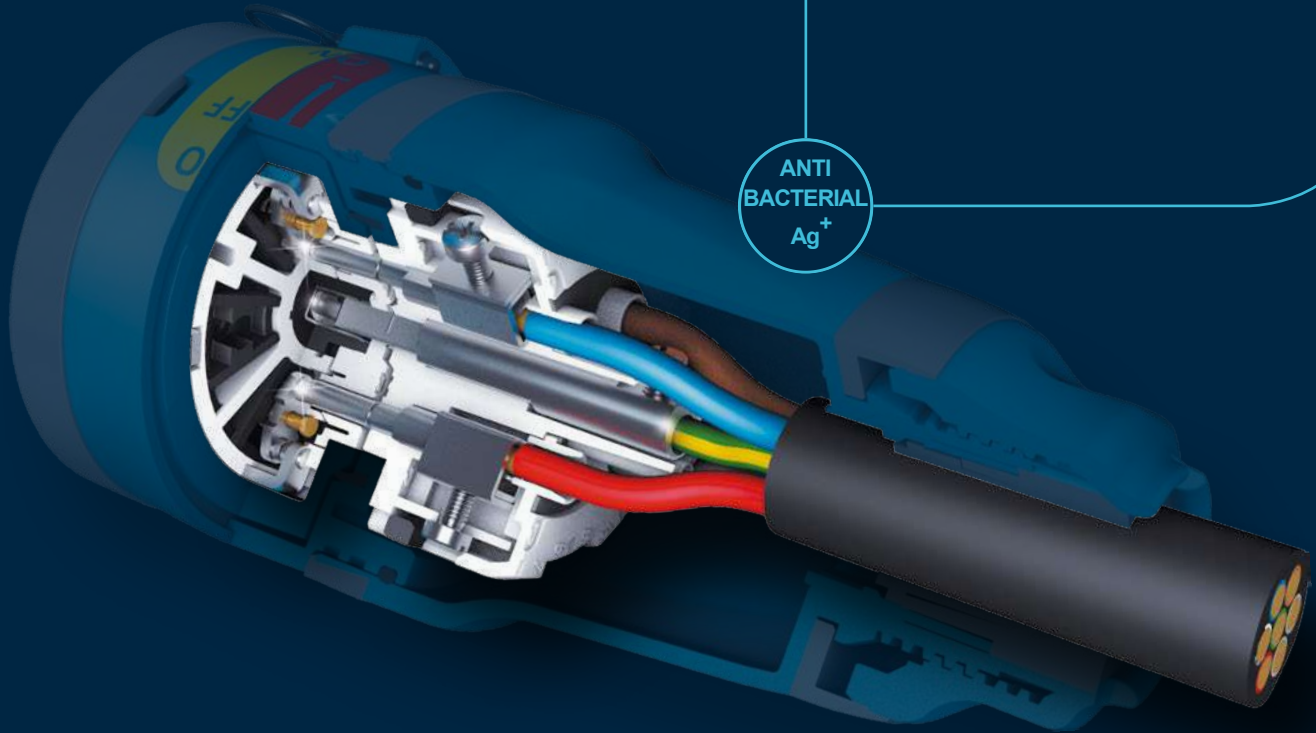
At the heart of innovation MARECHAL ELECTRIC continues to invest in the most advanced materials and reliable technologies.

MARECHAL® offers both for industrial and Ex environments, connectors, socket-outlets, switch-rated DECONTACTOR™ socket-outlets and the first separable switch-disconnector EVO40.

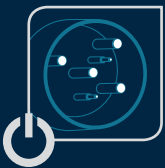
All of our products are designed, manufactured and controlled in France, in strict compliance with the requirements of international IEC, EN and UL standards.

EVO40 SWITCH-DISCONNECTOR	4
SWITCH-DISCONNECTOR 18,5 kW	6
ANTIBACTERIAL SERIES	8
COMPACT SOCKET 16/30 A.....	9
DECONTACTOR™ BENEFITS	10
DECONTACTOR™ 20 A	12
DECONTACTOR™ 32 A	13
DECONTACTOR™ 63 A	14
DECONTACTOR™ 90 A	15
DISTRIBUTION BOX 16 - 90 A	15
DECONTACTOR™ 125 A/150 A.....	16
DECONTACTOR™ 200 A/250 A.....	17
HEAVY-DUTY PLUGS & SOCKETS UP TO 600 A	19
SINGLE POLE POWER CONNECTOR FROM 400 TO 1250 A	20
MULTICONTACT FROM 7 TO 37 PIN	22
MAKING MOBILITY SAFE	24
RETTBOX®S 20 A/32 A	25
SOCKET OR JUNCTION BOXES	26
JUNCTION BOXES	26

EVO40 18,5 kW SEPARABLE SWITCH- DISCONNECTOR



ANTI
BACTERIAL
Ag⁺



Switch-disconnectors in the AC-22A/
AC-23A (18.5 kW) and AC-3 (11 kW)
categories.
Up to 6 poles + earth.



Contacts with silver-nickel tips.
Exceptional connection quality.



Padlockable in OFF position for strict
compliance with LOTO procedures.



IP4X/IPXXD safety shutter.
Optimum protection against electric
shock.
No access to live parts.



IK09. Glass-fibre reinforced poly
enclosure.



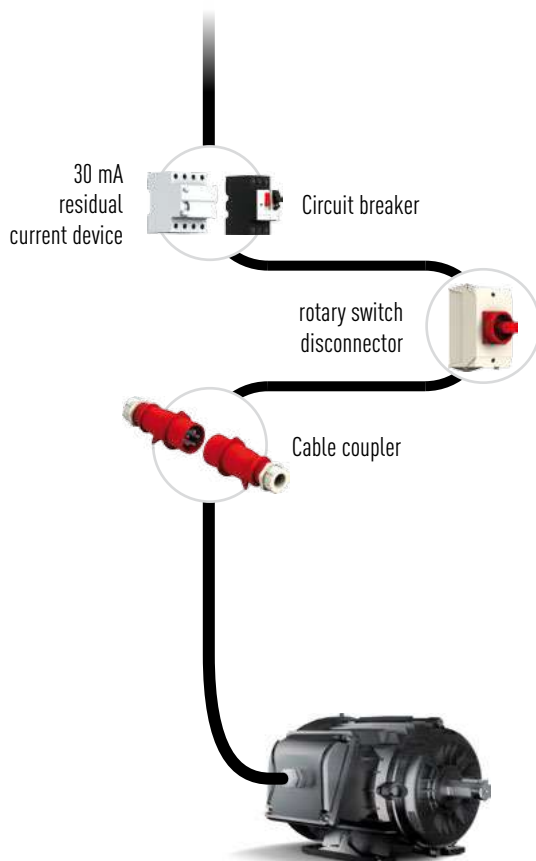
IP66/IP67/IP69 in ON and OFF
positions.

VISIBLE AND FULLY APPARENT BREAKING

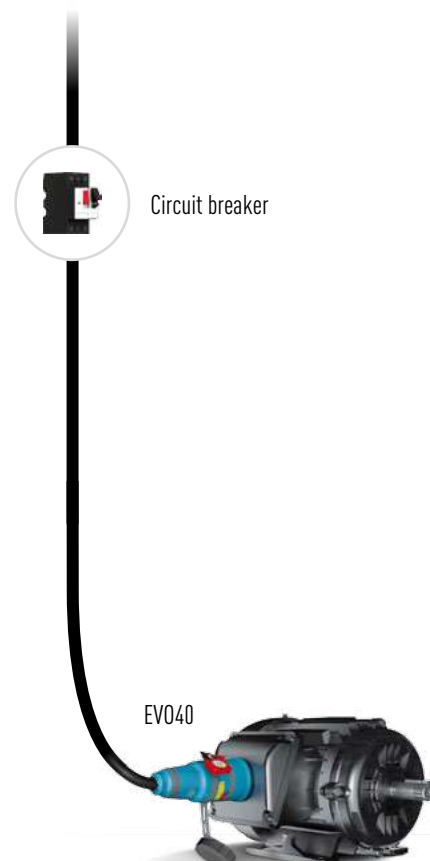
EVO OFFERS:

- better continuity of service:
 - no need for a 30 mA residual current device (RCD): no nuisance tripping,
 - reduced and simplified maintenance,
 - reduced downtimes,
- compact design: space and cost savings,
- securing and simplifying interventions: for maintenance or replacement of an equipment, EVO can be separated in two parts and padlocked. When separated, EVO has an IP4X/IPXXD rating. There is therefore no need for electrically-qualified personnel nor for protection procedures to be followed.

STANDARD INSTALLATION



EVO40 SOLUTION



18,5 kW



U MAX
690 V



EVO40



2,5-10 mm² (a)
2,5-16 mm² (b)



Antibacterial



IP66/IP67
IP69



POLY



IK09



-25°C
+60°C



AC-21/AC-22
AC-23/AC-3

(a) Flexible. (b) Stranded.



Voltage	Poles	Supply	Load	Straight sleeve	70° inclined sleeve	Handle ⁽¹⁾	90° wall box ⁽²⁾
200-250 V AC	6P+E	8144036*	8148036*	51LM0	51LM7	511P0D21AG	51LC9000
380-480 V AC	6P+E	8144016*	8148016*	51LM0	51LM7	511P0D21AG	51LC9000
500-690 V AC	6P+E	8144056*	8148056*	51LM0	51LM7	511P0D21AG	51LC9000
Umax 690 V AC	6P+E	8144126*	8148126*	51LM0	51LM7	511P0D21AG	51LC9000
Load side cap IP66/IP67 padlockable		Included	814A426G				

(1) Gland size 5-21 mm.

(2) Without drilling, top entry. Reversible wall box for 50° angle with bottom entry.

* for 2P+E versions, replace the last digit of the reference by 2, for 3P+E versions, by 3, and for 4P+E versions, by 4.

ADDITIONAL PADLOCKING KEYS



Packaging = 10

814A541

SAFETY HASP FOR UP TO 6 PADLOCKS



613A541

i A padlocking key is supplied with each supply/load.



POSSIBLE INSTALLATIONS





ANTIBACTERIAL SERIES



New poly handles, treated with AG+ silver ions, provides a protective barrier and inhibits the growth of bacteria.

GET ALL THE BENEFITS OF MARECHAL® TECHNOLOGY

Wide range of applications.

The high temperature tolerance of the antibacterial additive makes it ideal for all high temperature cleaning processes.

Durable.

The antibacterial additive is not a surface treatment, it is injected into the material.

Safe to use.

The active agent complies with biocide regulation.

High performance.

The MARECHAL® standard of mechanical performance, ingress protection and UV resistance is maintained.

16 A

U MAX
480 V

COMPACT CONNECTOR



PNC



Voltages	Pole configuration	Socket-outlet	Inclined socket	Wall mounting socket	Coupler socket	Plug	Appliance inlet
480 V AC/V DC	5P +	01E4007	01E4007	01E4007	01E3007 ⁽¹⁾	01E1007 ⁽¹⁾	01E8007
	accessories	/	551M3 +251A457-E	551B3M20 +251A457-E	/	/	/

(1) Gland size 11-15 mm.

30 A



U MAX
500 V

COMPACT PLUGS & SOCKETS



PN



(a) Flexible. (b) Stranded.



i Metal references are available in the main catalogue or marechal.com.

Voltages	Pole configuration	Socket-outlet	Inclined socket	Wall mounting socket	Coupler socket	Plug	Appliance inlet
220-250 V AC	1P+N+E +	01N4015	01N4015	01N4015	01N4015	01N8015	01N8015
	accessories	/	511M3	511B3M20 ⁽¹⁾	511P6D18AG ⁽²⁾	511P6D18AG ⁽²⁾	/
380-440 V AC	3P+E +	01N4013	01N4013	01N4013	01N4013	01N8013	01N8013
	accessories	/	511M3	511B3M20 ⁽¹⁾	511P6D18AG ⁽²⁾	511P6D18AG ⁽²⁾	/
220-250 V AC	3P+N+E +	01N4017	01N4017	01N4017	01N4017	01N8017	01N8017
380-440 V AC	accessories	/	511M3	511B3M20 ⁽¹⁾	511P6D18AG ⁽²⁾	511P6D18AG ⁽²⁾	/

(1) M20 threading - (2) Gland size 9-18 mm.
The main catalogue contains all the available contacts configurations.

ACCESSORIES AND OPTIONS

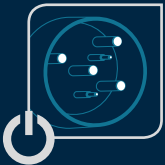


PRODUCT	Locking with padlock ø 4 mm (padlocks not supplied)	Inlet cap	180° Opening lid	Self-returning lid (without full closure IP40)
PN	Socket ref. + 843	01NA426	Socket ref. + 10	Socket ref. + R
PNC	/	01EA126	/	/

DECONTACTOR™ BENEFITS

The only socket-outlet with built-in switch up to **250 A.**

ANTI
BACTERIAL
Ag⁺



Built-in switch up to 250 A.



Padlocking facility for strict compliance with LOTO procedures.



Spring-mounted crimped braid and butt contacts with silver-nickel tips.
Exceptional connection quality.



Elastic ring connection terminals.
Prevent terminal loosening due to conductor creep, vibration or thermal shock.



IP4X/IPXXD safety shutter.
Optimum protection against electric shock.
No access to live parts.



Poly IK09 or metal IK10 enclosures.
Resistant to the harshest environments (mechanical shock, vibration, EMC, corrosion).



Standard **IP66/IP67/IP69.**

MAIN OPTIONS



LOCKOUT-TAGOUT CAPABILITY

The use of MARECHAL® products can be part of your LOCKOUT-TAGOUT procedures.



STOP-LATCH

This option is ideal for quick disconnection of machinery and equipment by employees wearing gloves.

The latch is fitted with a red label with warning «stop» for ease of identification.

The use of this latch is not recommended in case of extension cables.



IN-LINE CONNECTIONS

A pair of finger draw plates to aid closing.



SELF-EJECTING SERIES

Self-ejecting systems avoid damage to the electrical installation when the mobile equipment is moved.



INDUSTRIAL/DOMESTIC ADAPTER

In order to allow the connection of an appliance fitted with a domestic plug to an industrial type socket-outlet, MARECHAL ELECTRIC has developed an adapter which features a MARECHAL® single phase industrial plug and a 10/16 A - 230 V domestic socket. The adapter includes a 6 x 32 mm 10/16 A fuse-link.

Part numbers (P/N°) for these products:

TYPE		DSN1	DSN3	DS1	PN
France	Poly	6118015D11	6138015D11	3118015D11	01N8015D11
	Metal	-	-	-	09N8015D11
United Kingdom	Poly	6118015D40	6138015D40	3118015D40	01N8015D40
	Metal	-	-	-	09N8015D40
Germany	Poly	6118015D30	6138015D30	3118015D30	01N8015D30
	Metal	-	-	-	09N8015D30
Italy	Poly	6118015D06	6138015D06	3118015D06	01N8015D06
	Metal	-	-	-	09N8015D06

Adaptation device without domestic socket is also available. Contact us for the references.

20 A



U MAX
500 V

DECONTACTOR™
SWITCH + SOCKET-OUTLET

DSN1



- 1-2.5 mm² (a)
1.5-4 mm² (b)
- Anti-bacterial
- 2 PILOTS
- IP66/IP67
IP69
- POLY
- IK09
- 40°C
+60°C
- AC-22
AC-23

(a) Flexible. (b) Stranded.

Voltages	Pole configuration	Socket-outlet	Inclined socket	Wall mounting socket	Coupler socket	Plug	Appliance inlet
220-250 V AC	1P+N+E +	6114015	6114015	6114015	6114015	6118015	6118015
	accessories	/	511M3	511B3M20 ⁽¹⁾	511POD18AG ⁽²⁾	511POD18AG ⁽²⁾	/
380-440 V AC	3P+E +	6114013	6114013	6114013	6114013	6118013	6118013
	accessories	/	511M3	511B3M20 ⁽¹⁾	511POD18AG ⁽²⁾	511POD18AG ⁽²⁾	/
220-250 V AC	3P+N+E +	6114017	6114017	6114017	6114017	6118017	6118017
	accessories	/	511M3	511B3M20 ⁽¹⁾	511POD18AG ⁽²⁾	511POD18AG ⁽²⁾	/

(1) M20 threading - (2) Gland size 9-18 mm.

The main catalogue contains all the available contacts configurations.

20 A



U MAX
550 V

DECONTACTOR™
SWITCH + SOCKET-OUTLET

DXN1



- ZONE
1, 21
- 1-4 mm² (a)
1.5-6 mm² (b)
- IP66/IP67
- POLY
- IK09
- 40°C
+60°C

(a) Flexible. (b) Stranded.

Ⓢ II 2 G D Ex db eb IIC T6/T5 Gb Ex tb IIIC T70 °C/T90 °C Db

Voltages	Pole configuration	Socket-outlet	Inclined socket	Wall mounting socket	Coupler socket	Plug	Appliance inlet
220-250 V AC	1P+N+E +	2514015	2514015	2514015	2514015	2518015	2518015
	accessories	/	251A057	251AB53 ⁽¹⁾	251A753 ⁽¹⁾	251A753 ⁽¹⁾	/
380-440 V AC	3P+E +	2514013	2514013	2514013	2514013	2518013	2518013
	accessories	/	251A057	251AB53 ⁽¹⁾	251A753 ⁽¹⁾	251A753 ⁽¹⁾	/
380-440 V AC	3P+N+E +	2514017	2514017	2514017	2514017	2518017	2518017
	accessories	/	251A057	251AB53 ⁽¹⁾	251A753 ⁽¹⁾	251A753 ⁽¹⁾	/

(1) Gland size 10-14 mm.

The main catalogue contains all the available contacts configurations.

ACCESSORIES
AND OPTIONS



DECONTACTOR™	In-line connections (a pair of finger draw plates to aid closing)	Inlet cap IP66/IP67	Self-returning lid (without full closure IP40)	Locking pin for 2 padlocks Ø 8 mm (padlocks not supplied)
DSN1	611A346	611A426	Socket ref. + R	Socket ref. + 843
DXN1	611A346	Included	Socket ref. + R	Socket ref. + 843

32 A



U MAX
690 V

DECONTACTOR™
SWITCH + SOCKET-OUTLET

DSN3



2.5-6 mm² (a)
2.5-10 mm² (b)

Ag+
Anti-bacterial

2 AUX

IP66/IP67
IP69

POLY

IK09

-40°C
+60°C

AC-22
AC-23

(a) Flexible. (b) Stranded.



Voltages	Pole configuration	Socket-outlet	Inclined socket	Wall mounting socket	Coupler socket	Plug	Appliance inlet
220-250 V AC	1P+N+E + accessories	6134015 /	6134015 512M3	6134015 512B3M20 ⁽¹⁾	6134015 512P0D21AG ⁽²⁾	6138015 512P0D21AG ⁽²⁾	6138015 /
380-440 V AC	3P+E + accessories	6134013 /	6134013 512M3	6134013 512B3M20 ⁽¹⁾	6134013 512P0D21AG ⁽²⁾	6138013 512P0D21AG ⁽²⁾	6138013 /
220-250 V AC 380-440 V AC	3P+N+E + accessories	6134017 /	6134017 512M3	6134017 512B3M20 ⁽¹⁾	6134017 512P0D21AG ⁽²⁾	6138017 512P0D21AG ⁽²⁾	6138017 /

(1) M20 threading - (2) Gland size 5-21 mm.

The main catalogue contains all the available contacts configurations.

32 A



U MAX
750 V

DECONTACTOR™
SWITCH + SOCKET-OUTLET

DXN3



ZONE
1, 21

2.5-10 mm² (a)
2.5-10 mm² (b)

2 AUX

IP66/IP67

POLY

IK09

-40°C
+60°C

(a) Flexible. (b) Stranded.

Ⓢ II 2 G D Ex db eb IIC T6/T5 Gb Ex tb IIIC T57°C/T77°C Db



Available for zones 2-22 without breaking capacity.

Voltages	Pole configuration	Socket-outlet	Inclined socket	Wall mounting socket	Coupler socket	Plug	Appliance inlet
220-250 V AC	1P+N+E + accessories	2534015 /	2534015 253A027	2534015 253AB53 ⁽¹⁾	2534015 253A783 ⁽²⁾	2538015 253A783 ⁽²⁾	2538015 /
380-440 V AC	3P+E + accessories	2534013 /	2534013 253A027	2534013 253AB53 ⁽¹⁾	2534013 253A783 ⁽²⁾	2538013 253A783 ⁽²⁾	2538013 /
380-440 V AC	3P+N+E + accessories	2534017 /	2534017 253A027	2534017 253AB53 ⁽¹⁾	2534017 253A783 ⁽²⁾	2538017 253A783 ⁽²⁾	2538017 /

(1) Gland size 10-14mm - (2) Gland size 12-18 mm.

The main catalogue contains all the available contacts configurations.

ACCESSORIES
AND OPTIONS



DECONTACTOR™	In-line connections (a pair of finger draw plates to aid closing)	Inlet cap IP66/IP67	Self-returning lid (without full closure IP40)	Locking pin for 2 padlocks Ø 8 mm (padlocks not supplied)
DSN3	613A346	613A426	Socket ref. + R	Socket ref. + 843
DXN3	613A346	253A426	Socket ref. + R	Socket ref. + 843

63 A



U MAX
1 000 V

DECONTACTOR™
SWITCH + SOCKET-OUTLET



DSN6

- 6-16 mm² (a)
10-25 mm² (b)
- Ag⁺
Anti-bacterial
- 2/4 AUX
- IP66/IP67
IP69
- POLY
- IK09
- 40°C
+60°C
- AC-22
AC-23

(a) Flexible. (b) Stranded.



Voltages	Pole configuration	Socket-outlet	Inclined socket	Wall mounting socket	Coupler socket	Plug	Appliance inlet
220-250 V AC	1P+N+E + accessories	6164015 /	6164015 513M3	6164015 513B3M25 ⁽¹⁾	6164015 513P0D30AG ⁽²⁾	6168015 513P0D30AG ⁽²⁾	6168015 /
380-440 V AC	3P+E + accessories	6164013 /	6164013 513M3	6164013 513B3M25 ⁽¹⁾	6164013 513P0D30AG ⁽²⁾	6168013 513P0D30AG ⁽²⁾	6168013 /
220-250 V AC 380-440 V AC	3P+N+E + accessories	6164017 /	6164017 513M3	6164017 513B3M25 ⁽¹⁾	6164017 513P0D30AG ⁽²⁾	6168017 513P0D30AG ⁽²⁾	6168017 /

(1) M25 threading - (2) Gland size 10-30 mm.

The main catalogue contains all the available contacts configurations.

63 A



U MAX
750 V

DECONTACTOR™
SWITCH + SOCKET-OUTLET



DXN6



- ZONE
1, 21
- 6-16 mm² (a)
6-25 mm² (b)
- 2 AUX
- IP66/IP67
- POLY
- IK09
- 40°C
+60°C

(a) Flexible. (b) Stranded.

Ⓜ II 2 G D Ex db eb IIC T6/T5 Gb Ex tb IIC T87°C/T107°C Db



i Available for zones 2-22 without breaking capacity.

Voltages	Pole configuration	Socket-outlet	Inclined socket	Wall mounting socket	Coupler socket	Plug	Appliance inlet
220-250 V AC	1P+N+E + accessories	2564015 /	2564015 256A027	2564015 256AB8840P ⁽¹⁾	2564015 256A753 ⁽²⁾	2568015 256A753 ⁽²⁾	2568015 /
380-440 V AC	3P+E + accessories	2564013 /	2564013 256A027	2564013 256AB8840P ⁽¹⁾	2564013 256A753 ⁽²⁾	2568013 256A753 ⁽²⁾	2568013 /
380-440 V AC	3P+N+E + accessories	2564017 /	2564017 256A027	2564017 256AB8840P ⁽¹⁾	2564017 256A753 ⁽²⁾	2568017 256A753 ⁽²⁾	2568017 /

(1) Gland size 22-32 mm - (2) Gland size 12-18 mm.

The main catalogue contains all the available contacts configurations.

ACCESSORIES
AND OPTIONS



DECONTACTOR™	In-line connections (a pair of finger draw plates to aid closing)	Inlet cap IP66/IP67	Self-returning lid (without full closure IP40)	Locking pin for 2 padlocks Ø 8 mm (padlocks not supplied)
DSN6	616A346	616A426	Socket ref. + R	Socket ref. + 843
DXN6	616A346	256A426	Socket ref. + R	Socket ref. + 843

90 A



U MAX
1 000 V

DECONTACTOR™
SWITCH + SOCKET-OUTLET

DS6



- 10-25 mm² (a)
10-35 mm² (b)
- 2/4 AUX
- IP66/IP67
- POLY METAL
- IK09
- 40°C
+60°C
- AC-22
AC-23

(a) Flexible. (b) Stranded.

i Metal references are available in the main catalogue or marechal.com.



Voltages	Pole configuration	Socket-outlet	Inclined socket	Wall mounting socket	Coupler socket	Plug	Appliance inlet
220-250 V AC	1P+N+E +	3164015 ⁽³⁾	3164015 ⁽³⁾	3164015 ⁽³⁾	3164015 ⁽³⁾	3168015 ⁽³⁾	3168015 ⁽³⁾
	accessories	/	514M3	514B3M40 ⁽¹⁾	514P0D35 ⁽²⁾	514P0D35 ⁽²⁾	/
380-440 V AC	3P+E +	3164013 ⁽³⁾	3164013 ⁽³⁾	3164013 ⁽³⁾	3164013 ⁽³⁾	3168013 ⁽³⁾	3168013 ⁽³⁾
	accessories	/	514M3	514B3M40 ⁽¹⁾	514P0D35 ⁽²⁾	514P0D35 ⁽²⁾	/
220-250 V AC 380-440 V AC	3P+N+E +	3164017 ⁽³⁾	3164017 ⁽³⁾	3164017 ⁽³⁾	3164017 ⁽³⁾	3168017 ⁽³⁾	3168017 ⁽³⁾
	accessories	/	514M3	514B3M40 ⁽¹⁾	514P0D35 ⁽²⁾	514P0D35 ⁽²⁾	/

(1) M40 threading - (2) Gland size 13-35 mm - (3) For 100 A version add suffix **-228**.
The main catalogue contains all the available contacts configurations.

Up to 90 A

CD



DISTRIBUTION BOX

- IP66/IP69
- POLY
- IK09
- 40°C
+60°C

i Configurations available upon request.

i You will find out our entire boxes range in the main catalogue or marechal.com (POLY, stainless steel, etc.).

- ▶ IP66/IP69 water-and dust-tight
- ▶ Up to 10 modules
- ▶ Up to 2x 63 A DECONTACTOR™
- ▶ Complies with IEC/EN 61439-1 and IEC/EN 61439-3

- ▶ Composed of two parts fixed on hinges
- ▶ Pre-wired
- ▶ UV protected

ACCESSORIES
AND OPTIONS



DECONTACTOR™

In-line connections
(a pair of finger draw plates to aid closing)

Inlet cap IP66/IP67

Locking pin for 2 padlocks Ø 8 mm
(padlocks not supplied)

DS6

316A346

316A426

Socket ref. + 843

150 A



U MAX
1 000 V

DECONTACTOR™ SWITCH + SOCKET-OUTLET



DS9



(a) Flexible. (b) Stranded.

i Metal references are available in the main catalogue or marechal.com.



Voltages	Pole configuration	Socket-outlet	Inclined socket	Wall mounting socket	Coupler socket	Plug	Appliance inlet
380-440 V AC	3P+E + accessories	3194013 /	3194013 515M3	3194013 595C3M40 ⁽¹⁾	3194013 555POD35 ⁽²⁾	3198013 555POD35 ⁽²⁾	3198013 /
220-250 V AC 380-440 V AC	3P+N+E + accessories	3194017 /	3194017 515M3	3194017 595C3M40 ⁽¹⁾	3194017 555POD35 ⁽²⁾	3198017 555POD35 ⁽²⁾	3198017 /

(1) M40 threading - (2) Gland size 25-35 mm.

The main catalogue contains all the available contacts configurations.

125 A



U MAX
750 V



DECONTACTOR™ SWITCH + SOCKET-OUTLET



DX9



(a) Flexible. (b) Stranded.

Ⓢ II 2 G Ex de IIC T6/T5 tD A21 T80°C/T90°C



Voltages	Pole configuration	Wall mounting socket	Coupler socket	Plug
380-440 V AC	3P+E + accessories	2694013 269AB5350M ⁽¹⁾	2694013 269A95350M ⁽¹⁾	269101350M ⁽¹⁾
380-440 V AC	3P+N+E + accessories	2694017 269AB5350M ⁽¹⁾	2694017 269A95350M ⁽¹⁾	269101750M ⁽¹⁾

(1) Gland size 23-35 mm.

The main catalogue contains all the available contacts configurations.

ACCESSORIES AND OPTIONS



DECONTACTOR™	Locking pin for 2 padlocks 8 mm (padlocks not supplied)	Inlet cap IP66/IP67	Inlet cap IP65
DS9	Socket ref. + 843	319A426	/
DX9	Included	/	266A926

250 A



U MAX
1 000 V

DECONTACTOR™ SWITCH + SOCKET-OUTLET



DS2

- 70-95 mm² (a)
70-120 mm² (b)
- 2/4/6
AUX
- IP66/IP67
- METAL
- IK10
- 40°C
+60°C
- AC-22
AC-23

(a) Flexible. (b) Stranded.

i Available in 350 A version without breaking capacity.



Voltages	Pole configuration	Socket-outlet	Inclined socket	Wall mounting socket	Coupler socket	Plug	Appliance inlet
380-440 V AC	3P+E +	3924013 /	3924013 596M6	3924013 596E6M63 (1)	3924013 556P0D49 (2)	3928013 556P0D49 (2)	3928013 /
220-250 V AC 380-440 V AC	3P+N+E +	3924017 /	3924017 596M6	3924017 596E6M63 (1)	3924017 556P0D49 (2)	3928017 556P0D49 (2)	3928017 /

(1) M63 threading - (2) Gland size 45-49 mm.

The main catalogue contains all the available contacts configurations.

200 A



U MAX
750 V



DECONTACTOR™ SWITCH + SOCKET-OUTLET



DX2

- ZONE
1, 21
- 50 mm² (a)
70 mm² (b)
- IP65/IP66
- METAL
- IK10
- 40°C
+60°C

(a) Flexible. (b) Stranded.

Ⓢ II 2 G D Ex de IIC T3 tD A21 T91°C



Voltages	Pole configuration	Wall mounting socket	Coupler socket	Plug
380-440 V AC	3P+E + accessories	2674013 267AB53 (1)	2674013 267A963 (1)	2671013 (1) /
380-440 V AC	3P+N+E + accessories	2674017 267AB53 (1)	2674017 267A963 (1)	2671017 (1) /

(1) Gland size 36-48 mm.

The main catalogue contains all the available contacts configurations.

ACCESSORIES AND OPTIONS



DECONTACTOR™	Locking pin for 2 padlocks 8 mm (padlocks not supplied)	Inlet cap IP66/IP67	Inlet cap IP65
DS2	Socket ref. + 453	392A426	/
DX2	Included	/	266A926



400 A



U MAX
1 000 V

DS4



HEAVY-DUTY PLUGS & SOCKETS



(a) Flexible. (b) Stranded.

i You will find all the references in the main catalogue or marechal.com.

- ▶ Automatic IP66/IP67
- ▶ Metal casing (IK10) with epoxy paint
- ▶ With a safety shutter 3P+E +2 pilots

Up to 600 A



U MAX
1 000 V

PF



HEAVY-DUTY PLUGS & SOCKETS



i You will find all the references in the main catalogue or marechal.com.

- ▶ Up to 600 A/1 000 V
- ▶ Automatic IP66/IP67
- ▶ Mechanical and electrical interlocking
- ▶ 3P+N+E+6 auxiliaries + 2 pilots
- ▶ Metal casing and stainless steel case 316L



DIGITAL INSTRUCTIONS FOR USE

Scan the **QR code** available on our products to access their online instructions for use.

A **Quick Start Guide** provides you with the latest essential information to install and use our devices, quickly:

- Wiring: conductor cross sections, stripping lengths, tightening torques ...
- Installation requirements, drillings, mounting direction
- As well as an animation on how to connect/disconnect our devices.

LASER MARKING

Simple and permanent product identification.



400 A



U MAX
500 V

SINGLE POLE CONNECTORS



DSP400



(a) Flexible. (b) Stranded.

i You will find all the references in the main catalogue or marechal.com.

- ▶ Automatic IP66/IP67
- ▶ Electromechanical interlocking system
- ▶ Phases visual and mechanical coding
- ▶ Padlocking option

500 A



U MAX
1 000 V

SINGLE POLE CONNECTORS



CS1000



(a) Flexible. (b) Stranded.

i You will find all the references in the main catalogue or marechal.com.

- ▶ Automatic IP66/IP67
- ▶ Visual and mechanical coding
- ▶ Padlocking option



750 A



U MAX
1 000 V

SINGLE POLE CONNECTORS

SP



Available
in 680 A



50-630 mm² (a)
70-630 mm² (b)



2
PILOTS



IP66/IP67



POLY



IK08



-40°C
+60°C

(a) Flexible. (b) Stranded.



You will find all the references
in the main catalogue or marechal.com.

- ▶ Automatic IP66/IP67 water-and dust-tight
- ▶ Electromechanical interlocking system
- ▶ Phases visual and mechanical coding
- ▶ Padlocking option
- ▶ Optional operation lever

1250 A



U MAX
1 000 V

DSP1250



50-630 mm² (a)
70-630 mm² (b)



2
PILOTS



IP66/IP67



METAL



IK10



-40°C
+60°C

(a) Flexible. (b) Stranded.



You will find all the references
in the main catalogue or marechal.com.

- ▶ Automatic IP66/IP67 water-and dust-tight
- ▶ Electromechanical interlocking system
- ▶ Phases visual and mechanical coding
- ▶ Padlocking option

FOR HIGHER CURRENTS
CONTACT US



7 CONTACTS



U MAX
500 V

MULTICONTACT

25 A



PN7C



(a) Flexible. (b) Stranded.



Voltages		Pole configuration	Socket-outlet	Inclined socket	Wall mounting socket	Coupler socket	Plug	Appliance inlet
500 V AC		7 pin + accessories	01P4061 /	01P4061 511M3	01P4061 511B3M20 ⁽¹⁾	01P4061 511P0D18AG ⁽²⁾	01P8061 511P0D18AG ⁽²⁾	01P8061 /
480 V AC		7 pin + accessories	09P4061 /	09P4061 591M3	09P4061 591C4M20 ⁽¹⁾	09P4061 591P020M ⁽³⁾	09P8061 591P020M ⁽³⁾	09P8061 /

(1) M20 threading - (2) Gland size 9-18 mm. (3) Gland size 7-13 mm. 25 A versions, contact us.

12 CONTACTS



U MAX
480 V

MULTICONTACT

16 A



PN12C



(a) Flexible.



Voltages		Pole configuration	Socket-outlet	Inclined socket	Wall mounting socket	Coupler socket	Plug	Appliance inlet
480 V AC		12 pin + accessories	01A4001 /	01A4001 511M3	01A4001 511B3M20 ⁽¹⁾	01A4001 511P0D18AG ⁽²⁾	01A8001 511P0D18AG ⁽²⁾	01A8001 /
480 V AC		12 pin + accessories	09A4001 /	09A4001 591M3	09A4001 511B3M20 ⁽¹⁾	09A4001 591P020M ⁽³⁾	09A8001 591P020M ⁽³⁾	09A8001 /

(1) M20 threading - (2) Gland size 9-18 mm. (3) Gland size 7-13 mm.

ACCESSORIES AND OPTIONS



PRODUCT	Locking with padlock Ø 4 mm (padlocks not supplied)	Inlet cap	180° Opening lid	Self-returning lid (without full closure IP40)	Bag of 13 females/males contacts
PN7C	Socket ref. + 843	01NA426	Socket ref. +10	Socket ref. + R	/
PN12C	Socket ref. + 843	01NA426	Socket ref. +10	Socket ref. + R	01AA213 /01AA113

12 CONTACTS



U MAX
480 V

MULTICONTACT
16 A



DSN12C

- 1-2.5 mm² ^(a)
- Anti-bacterial
- IP66/IP67 IP69
- POLY
- IK09
- 40°C +60°C

(a) Flexible.

Voltages	Pole configuration	Socket-outlet	Inclined socket	Wall mounting socket	Coupler socket	Plug	Appliance inlet
480 V AC	12 pin + accessories	61A4001 /	61A4001 511M3	61A4001 511C7000 ⁽¹⁾	61A4001 511POD18 ⁽²⁾	61A8001 511POD18 ⁽²⁾	61A8001 /

(1) M20 threading - (2) Gland size 9-18 mm.

24/37 CONTACTS



U MAX
480 V

MULTICONTACT
16 A



DSN24C DSN37C

- Ex**
DXN25C/DXN37C
See catalogue
- 1-2.5 mm² ^(a)
- Anti-bacterial
- IP66/IP67
- POLY
- IK09
- 40°C +60°C

(a) Flexible.

Voltages	Pole configuration	Socket-outlet	Inclined socket	Wall mounting socket	Coupler socket	Plug	Appliance inlet
480 V AC	24 pin + accessories	61B4002 /	61B4002 512M3	61B4002 512C7000 ⁽¹⁾	61B4002 512POD21AG ⁽²⁾	61B8002 512POD21AG ⁽²⁾	61B8002 /
480 V AC	37 pin + accessories	61C4003 /	61C4003 513M3	61C4003 513C7000 ⁽¹⁾	61C4003 513POD30AG ⁽³⁾	61C8003 513POD30AG ⁽³⁾	61C8003 /

(1) Without threading - (2) Gland size 5-21 mm.
(3) Gland size 10-30 mm.

ACCESSORIES AND OPTIONS

DECONTRACTOR™	Locking pin for 2 padlocks ø 8 mm (padlocks not supplied)	Inlet cap IP66/IP67	In-line connections (a pair of finger draw plates to aid closing)	Self-returning lid (without full closure IP40)	Bag of 13 females/males contacts
DSN12C	Socket ref. + 843	611A426	611A346	Socket ref. + R	01AA213/01AA113
DSN24C	Socket ref. + 843	613A426	613A346	Socket ref. + R	01AA213/61CA113
DSN37C	Socket ref. + 843	616A426	616A346	Socket ref. + R	01AA213/61CA113

**MAKING
MOBILITY SAFE**



20 A/32 A

U MAX
480 V

RETTBOX® S



AUTOMATIC
ELECTROMECHANICAL SELF-EJECTION



IP54



POLY



IK08



-40°C
+60°C



i You will find all the references in the main catalogue or marechal.com.

- ▶ Compact, including load-breaking, self-ejecting socket-outlet for mobile applications
- ▶ Power supply of an auxiliary battery charger for all equipment on-board a vehicle.
- ▶ Reinforced thermoplastics box with 7 contacts and a 12 V/24 V solenoid coil used to eject the mobile socket-outlet upon starting of the vehicle.
- ▶ Voltage presence and battery charging light indicators.
- ▶ **Air feeding duct in option**

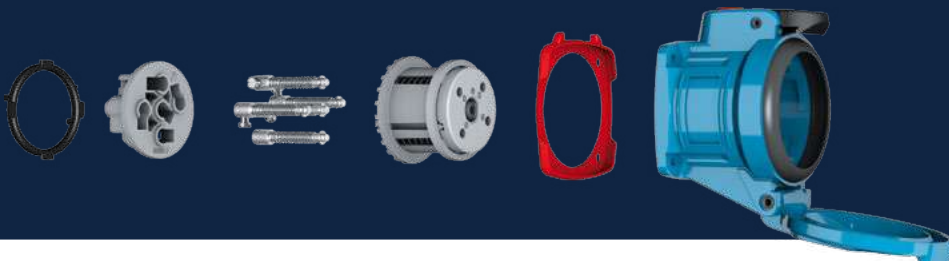
THE REPAIRABILITY INDEX

The Repairability Index* aims to reduce obsolescence by providing information on whether a product is repairable or not at the time of purchase and thus extending its life and use. It is based on the following criteria: availability of spare parts, availability of documentation, accessibility of after-sales service, ease of repair, price of spare parts.

Although our devices are not affected by the obligation to provide a reparability index, we voluntarily comply with this approach.

We ensure continuous availability of spare parts for easy repair and efficient maintenance. What's more, our after-sales service is always available to answer our customers' needs and questions.

* Decree n°2020-1757 of 27 December 2020 (France).



 **9,6**
/10



U MAX
750 V



B2X

SOCKET OR JUNCTION BOXES



IP66/IP67



POLY



IK09



-50°C
+60°C

i Contact us to configure the box that meets your needs.

i You will find all the references in the main catalogue or marechal.com.

- ▶ Ex II 2 G D Ex e IIC Gb, Ex tb IIIC Db
- ▶ Intrinsic safety capability
- ▶ IP66/IP67 Water-and dust-tight
- ▶ POLY casing, exists with hinges
- ▶ With Ex e certified terminals
- ▶ Terminals configurations for 25 A, 32 A, 45 A and 63 A
- ▶ Dimension 120x120x90 mm or 160x160x90 mm



U MAX
1000 V



MXBS

JUNCTION BOXES



IP66/IP67



POLY
METAL



IK09



-55°C
+60°C

i Contact us to configure the box that meets your needs.

i You will find all the references in the main catalogue or marechal.com.

- ▶ Ex eb IIC Gb, Ex tb IIIC Db
- ▶ Intrinsic safety capability
- ▶ IP66 Water-and dust-tight
- ▶ Multi-contact connectors and socket-outlets on the same enclosure
- ▶ Socket-outlets configurations up to 680 A
- ▶ POLY casing, aluminium, stainless steel 316L
- ▶ From -55 °C to +60 °C



CONTROL STATIONS, FLAMEPROOF ENCLOSURES, LED LIGHTING...

DEFINITIONS



Ingress protection
according to IEC/EN 60529

1st digit: protection against solid foreign objects

- 2 = protection against dangerous live parts with a finger
- 4 = protection against dangerous live parts with a wire of a diameter superior or equal to 1mm
- 5 = protection against dust
- 6 = dustproof

2nd digit: protection against ingress of water

- 4 = protection against water splashes
- 5 = protection against water jets
- 6 = protection against powerful water jets (fire hose)
- 7 = protection against a 30-minutes immersion up to 1m
- 8 = protection against a prolonged immersion for a determined period
- 9 = protection against high pressure water jets at high temperature



Index of resistance to mechanical shocks
according to IEC/EN 62262

- IK08 = withstands a shock of 1.7 kg to 30 cm (5 joules)
- IK09 = withstands a shock of 5 kg to 20 cm (10 joules)
- IK10 = withstands a shock of 5 kg to 40 cm (20 joules)



Switching capacity
according to IEC/EN 60947-3

- AC-21 = Resistive on load breaking (simple switchgear, lighting)
- AC-22 = Mix resistive and inductive on load breaking
- AC-23 = High inductive on load breaking (motor)
- AC-3 = Start And Switching Off - Squirrel Cage Motors



Pilot and auxiliary

Pilot

A pilot circuit is meant to electrically control a switchgear that energizes/ de-energizes a socket-outlet after plugging, and before unplugging an apparatus, to protect the operator.

This switchgear is controlled:

- by means of a microswitch located inside the socket-outlet (non-crossing pilot circuit), mechanically operated by the plug;
- by means of a contact or a pair of contacts, plug side and socket-outlet side (crossing pilot circuit), that make last and break first (LIFO: last-in/first-out), integrated in the control circuit.

Auxiliaries

Additional to the main contacts, auxiliary contacts are located plug side and socket-outlet side, and are intended for signal, communication, thermistor, etc...

HAZARDOUS AREA CERTIFICATION

ATEX

Certification according to European directive 2014/34/EU on all equipments used in or related to explosive atmospheres.

IECEX

Complying with international standards for electrical and non-electrical equipment for use in potentially explosive atmosphere areas.

Presence of potentially explosive atmosphere

Permanent

Occasional

Rare

Zoning for gas & vapours

Zone 0

Zone 1

Zone 2

Zoning for dust & fiber

Zone 20

Zone 21

Zone 22

■ Performance level of MARECHAL® devices.



**THE SWITCH-RATED
DECONTACTOR™
GUARANTEES THE BEST LEVEL
OF SAFETY.**

WORLD PRESENCE



MARECHAL ELECTRIC S.A.S. (Head Office)

5 avenue du chemin de Presles
94410 Saint-Maurice, FRANCE
Phone : +33 (0)1 45 11 60 00
e-mail: contact@marechal.com

Africa SADC area

MARECHAL ELECTRIC AFRICA (PTY) LTD.
PO Box 13875 Witfield 1467
Unit A1 Harvard Lane
Aero Star Business Park
Jet Park Road, Jet Park, South Africa
Tel.: +27 11 894 7226/7/8
e-mail: sales.za@marechal.com

Asia

MARECHAL ELECTRIC Asia Pte Ltd
9 Tagore Lane
#01-05 9@Tagore
Singapore 787472
Tel. : +65 6554 2722
e-mail: sales.asia@marechal.com

Australia

MARECHAL AUSTRALIA PTY LTD
20 A Technology Circuit
HALLAM VIC 3803
Australia
Tel. : +61 (0)3 8786 2500
e-mail : sales@marechal.com.au

China

MARECHAL ELECTRIC (China) Co., Ltd
11 North Xiangshui Road,
West Dayawan District,
Huizhou PRC
Tel: +86 (0)752-5319536
e-mail: sales.cn@marechal.com

Germany/Austria/Switzerland/Eastern Europe/Russia

MARECHAL GmbH
Im Lossenfeld 8
D-77731 Willstätt-Sand
Germany
Tel.: +49 (0)7852/91 96-0
e-mail: info.de@marechal.com

Middle East

MARECHAL ELECTRIC Middle East Trading LLC
80 Street, Shed-01B ALFA3 Complex
Jebel Ali Industrial 1 - Dubai, UAE
Tel: +971 4 226 8400
e-mail : sales.me@marechal.com

USA/Canada

MELTRIC Corporation
4765 W. Oakwood Park Drive
Franklin WI 53132, USA
Tel.: +1 414 433 2700
e-mail: mail@meltric.com

Mexico

MELTRIC Corporation
Insurgente Sur 863 - Piso 7
Napoles, Benito Juarez,
D. F. Mexico, C.P 03810
Tel.: +52 55 50056752
e-mail : mail@meltric.com

TECHNOR ITALSMEA S.p.A.

Via Italia 33,
20060 Gessate (Milano),
Italia
Tel. : +39 02 95 00 151
e-mail : sales@italsmea.com

For any other country or area, please contact the head office.
Find your sales contact on marechal.com/contact

marechal.com

technor.com

 **MARECHAL**
ELECTRIC

MARECHAL® TECHNOR® MELTRIC®