

BUTTERFLY VALVE TYPE H 011



The butterfly valve type H011 combines the advantages of a chemical valve and the properties of a disc valve for hygienic requirements.

TECHNICAL DATA

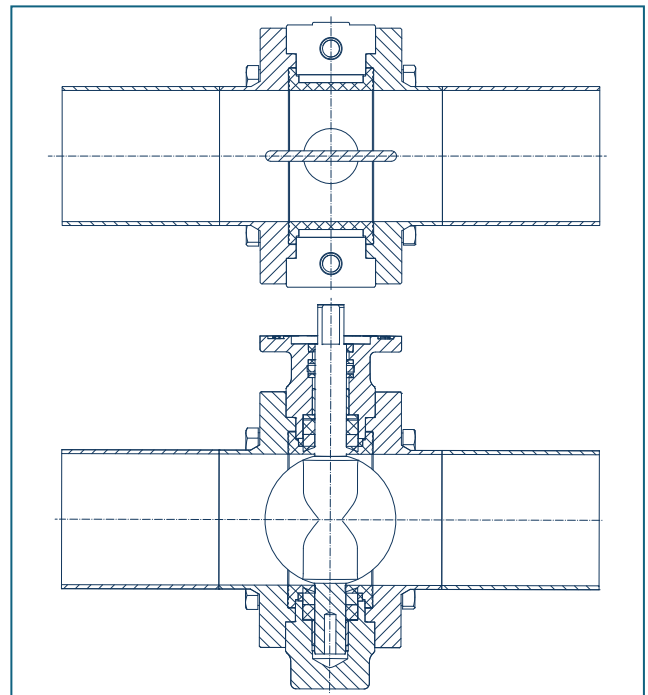
Nominal diameter:	DN 50 - DN 250
Face-to-face:	Company standard
Flange connection:	- Welding Ends acc. to DIN 11850-2 - Hygienic flanges acc. to DIN 11853-2 - TRI-CLAMP flanges acc. to DIN 32676
Top flange:	ISO 5211
Marking:	EN 19
Tightness check:	EN 12266 (Leakage rate A)
Standard:	EN 593
Temperature range:	-40°C to +200°C (depending on pressure, medium and material)
Operating pressure:	max. 10 bar (depending on the operating temperature)

FEATURES

- Ideal alignment of the valve to the center of the pipeline without recess
- The single shaft and mirror-polished disc is sealed with PTFE elements
- The split body-design enables easy maintenance
- All components with media contact comply to FDA, EG 1935/2004 and EG 10/2011 regulations
- Optionally available for TA-Luft / VDI 2440 applications

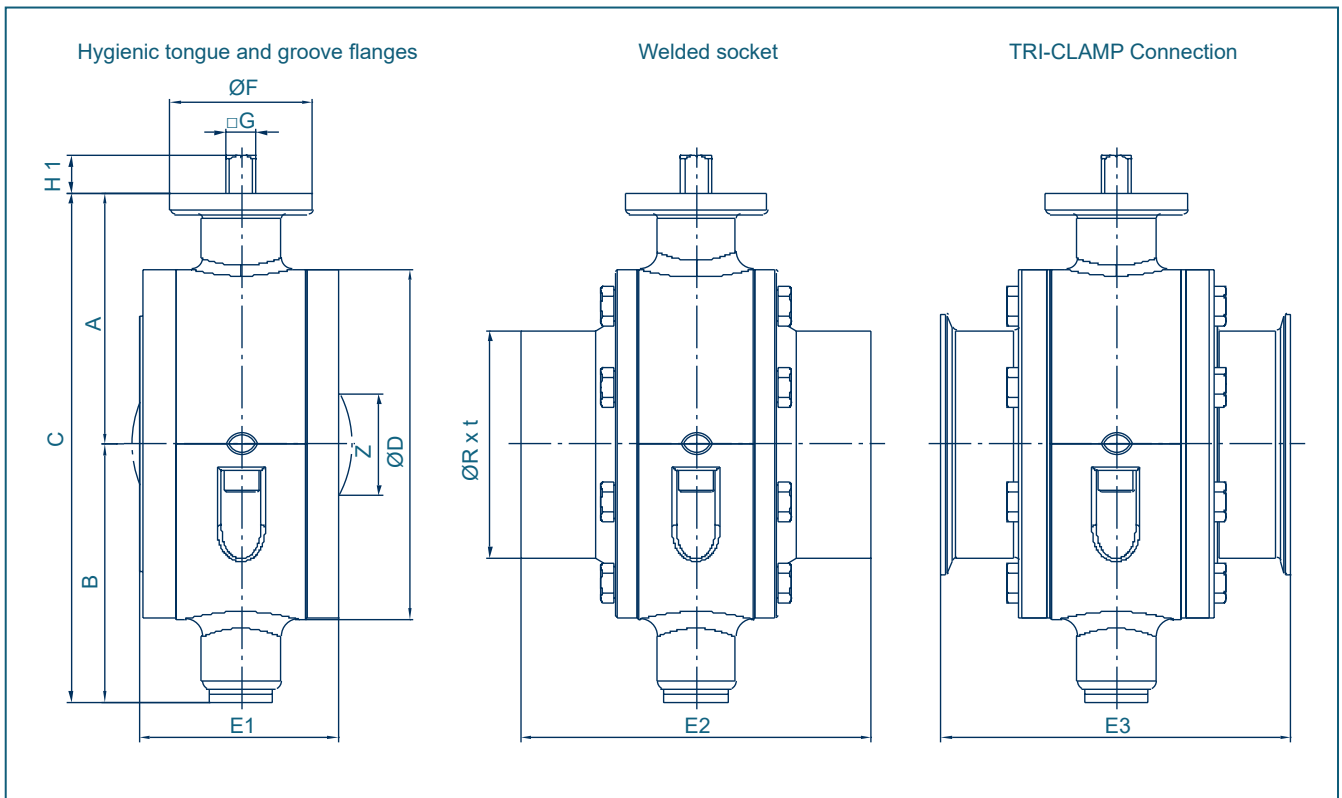
GENERAL APPLICATION:

- Applications demanding highest properties reg. chemical resistance and prevention of cross contamination
- Processes requiring a continuous and reliable cleaning (e.g. SIP/CIP)
- Brewhouses
- Dairy plants
- Beverage industry, extracts & flavours
- Paint industry
- Pharmaceutical industry



The butterfly valve type H011 with welding ends.

BUTTERFLY VALVE TYPE H 011

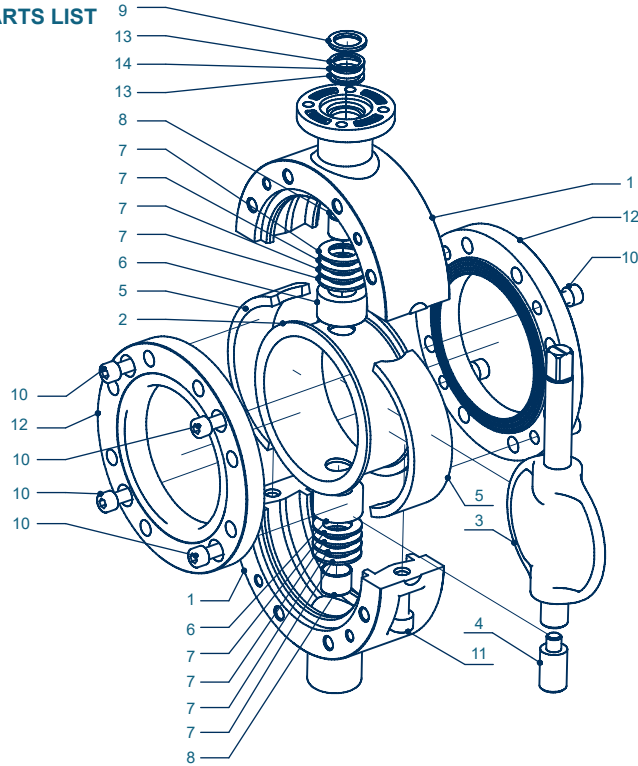


Dimensions [mm]										Hygienic tongue and groove flanges DIN 11853-2			Welded socket DIN 11866 Series A, DIN 11850-2			TRI-CLAMP Connection DIN 32676	
DN (mm)	A	B	C	D	F	Flange EN ISO 5211	G	H1	E1	Z	Weight [kg/St.]	E2	R x t	Weight [kg/St.]	E3	Weight [kg/St.]	
50	70	70	140	100	55	F04	10	12	59	-	2,8	85	53x1.5	2,8	100	3,0	
65	88	80	168	113	55	F04	11	12	78	-	4,1	150	70x2	4,7	150	4,9	
80	115	110	225	136	65	F05	14	16	92	-	7,5	160	85x2	8,6	170	8,8	
100	115	120	235	160	65	F05	14	16	86	43	8,8	160	104x2	9,9	160	10	
125	150	130	280	185	90	F07	17	19	107	100	14	200	129x2	16	200	17	
150	160	145	305	213	90	F07	17	19	110	103	16	200	154x2	20	230	21	
200	200	171	371	300	90	F07	17	19	-	-	-	250	204x2	46	250	48	
250	250	220	470	350	125	F10	22	24	-	-	-	260	254x2	66	-	-	

Subject to change without notice

BUTTERFLY VALVE TYPE H 011

MATERIAL SPECIFICATION AND PARTS LIST



Pt.	Description	Material	Material-No.
1	Body		
		Stainless Steel	1.4408
2	Seat		
		PTFE (FDA, EG 1935/2004, EG 10/2011)	
		PTFE conductive (FDA)*	
3	Disc-shaft		
		Stainless Steel	1.4469
		Surface quality: electropolished, mirror finished	
4	Lower shaft		
		Stainless Steel	1.4401
5	Elastomer insert		
		Silicone*	
		EPDM	
		FKM	
6	Thrust collar		
		Stainless Steel	
7	Belleville spr. washer		
		Stainless Steel	
8	Shaft bearing		
		CS / PTFE coated	
9	Wiper ring		
		Polytetrafluorethylen	
10	Cylinder screw / Hex nut		
		Stainless Steel	
11	Cylinder screw		
		Stainless Steel	
12	Flange		
		Stainless Steel	
13	Spacer (TA-Luft version only)		
		PTFE	
14	O-Ring (TA-Luft version only)		
		FKM	

* Available as option

Subject to change without notice

BUTTERFLY VALVE TYPE H 011

TORQUE

The values listed in the table are initial breakaway torques, taken with liquids and lubricant media. Please regard these as approximate values, as the objective value depends on different factors like pressure, medium, rubber, quality, temperature ... etc. Our engineers look forward to help you with exact values for your application.

DN [mm]	Size [in]	Torque
50	2	38
65	1/2	38
80	3	40
100	4	58
125	5	65
150	6	90
200	8	95
250	10	175

All values in Nm

K_v-VALUES

The K_v-values [m³ per hour] is the flow of water at a temperature of 5°C to 30°C (41°F to 86°F) at Δp of 1 bar.

For further values, please contact our engineers.

DN [mm]	Size [in]	Opening angle α°							
		20°	30°	40°	50°	60°	70°	80°	90°
50	2	4	10	25	46	68	88	100	110
65	1/2	10	19	41	77	122	170	220	250
80	3	14	25	58	110	170	230	290	340
100	4	26	35	87	170	280	400	510	610
125	5	43	55	140	270	440	640	850	1.050
150	6	63	74	160	310	550	870	1.280	1.780
200	8	130	160	330	670	1.170	1.860	2.730	3.800
250	10	210	250	520	1.050	1.840	2.910	4.720	5.950

Subject to change without notice