

## KE Plastomer – Centred-disc Butterfly Valve with PFA Liner



### Applications:

- Chemicals
- Highly corrosive fluids
- Toxic and highly corrosive fluids, which cannot be handled by metals and/or elastomers. Only PFA can be used.
- Moderately corrosive fluids
- Moderately aggressive fluids allowing the use of a PFA liner with a stainless steel valve disc.
- Fluids requiring absolutely safe handling
- Ultra-pure water

### More information:

[www.ksb.com/products](http://www.ksb.com/products)

amri

KE Plastomer with lever

Your contact:



# KE Plastomer – Centred-disc Butterfly Valve with PFA Liner

## 1 High operating reliability

Patented secondary seal elements at the stem passages. The stem passages are reliably sealed even if surge pressures occur.

## 2 Valve stem in anti-blow out design (with shoulder) and steel bearings with reinforced PTFE lining.

## 3 Reliable long-term sealing at the flanged line connections

The specially designed liner provides tight sealing at the flanged line connections, eliminating the need for an extra gasket. A back-up elastomer ring provides proper sealing even under vacuum conditions.

## 4 Absolutely reliable shut-off and sealing

- Tight sealing is ensured by compression between the liner's collar and the back-up liner between the stem and the body.
- The spherically machined valve disc and matching spherically moulded PFA liner ensure tight shut-off. The elastomer back-up liner guarantees reliable contact pressure.

## 5 Direct mounting of manual gearbox, electric or pneumatic actuator

Top flange to ISO 5211 for a range of actuator options.

## 6 Long service life, zero maintenance

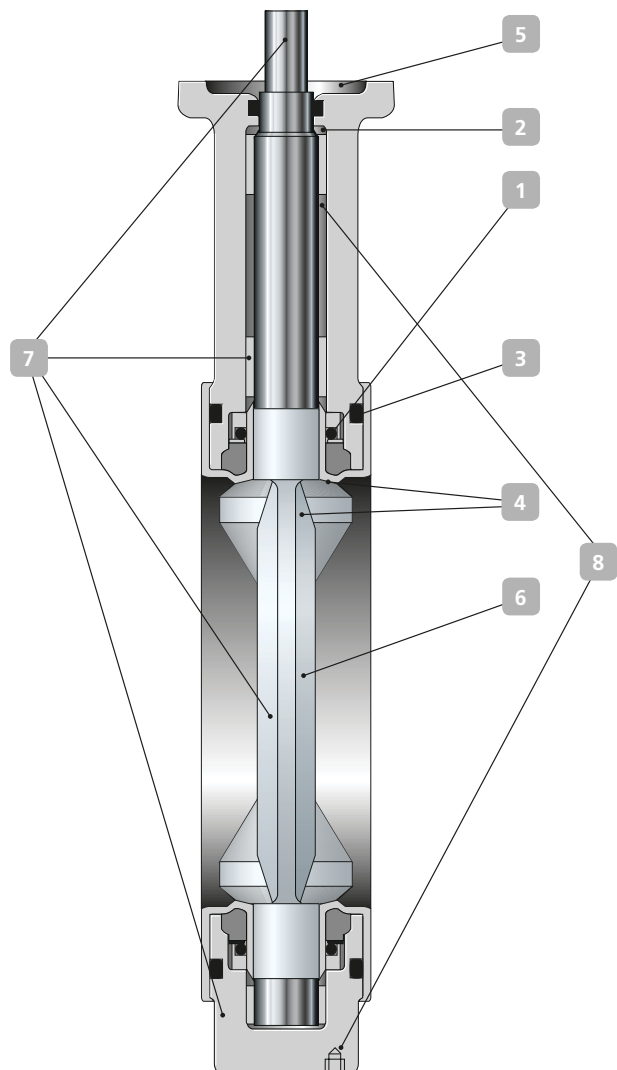
Unique AMRING sealing system

## 7 Compliance with the requirements of the chemical industry

- The weakest point of the stem is located outside the valve body and thus ensures safety for personnel and plant.
- Anti-static device (resistance < 10 Ohm)
- One-piece valve stem/disc
- Ground connection

## 8 Electrical continuity

- Elastic connection between stem and body
- Earth connection of the body



### Technical data

Size	DN 40 – 600
Max. operating pressure	10 bar
- Ambient temperature	10 bar
- Vacuum	10 <sup>-5</sup> bar
Temperature range	
- DN 40 to 300	-20 to +200 °C
- DN 350 to 600	-10 to +200 °C
Max. permissible flow velocity	
- For clean fluids	5 m/s
- For clean gases	50 m/s

### Materials

Body: nodular cast iron  
Stem and valve disc: stainless steel  
Liner: PFA

### Standard variants

ACTAIR NG / DYNACTAIR NG pneumatic actuators, ACTELEC electric actuators, AMTROBOX limit switch, AMTRONIC / SMARTRONIC positioner, ATEX design in compliance with Directive 94/9/EC, Manual gearbox



KSB SE & Co. KGaA  
Johann-Klein-Straße 9  
67227 Frankenthal (Germany)  
www.ksb.com