

ORBYS

Self-supporting X combining sprayer



www.razol.fr

ORBYS

Self-supporting X combining sprayer

Strong points

The self-supporting combining sprayer ORBYS suits all working conditions. The different features and roller types give to this sprayer all it needs for stubble cultivation, soil ploughing and sowing preparation.

- Hitch on lifting arm category n°3
- Hydraulic connection : 3 DA outputs
- Vertical folding at 3,00 m on the road
- Manual adjustment of the discs' angle
- Hydraulic adjustment of the roller
- Wheels lifting by 2 DA cylinders

+ DISCS ARRAYS MANUAL ADJUSTMENT (7 POSITIONS)

To perfectly suit the desired working conditions (depth and speed) with a screw locking system (hydraulic in option).

+ ROLLER

For control and compression over the whole working width :

- ROLPACK Ø620 mm
- FULL ROUNDS Ø800 mm

+ ROLLER ADJUSTMENT

Hydraulic by 2 powerful DA cylinders with position visual cue for accurate stubble depth adjustment.

+ SIDE PANELS

150 x 100 x 8 mm with 4 adjustable DA outputs for better rigidity in both deep and surface work.

+ RAZOL «X» CONCEPT

Shifted front and rear discs with degressive assembly of the rear discs for perfect crossing and to avoid any chance of ridging.

+ HITCH HEAD

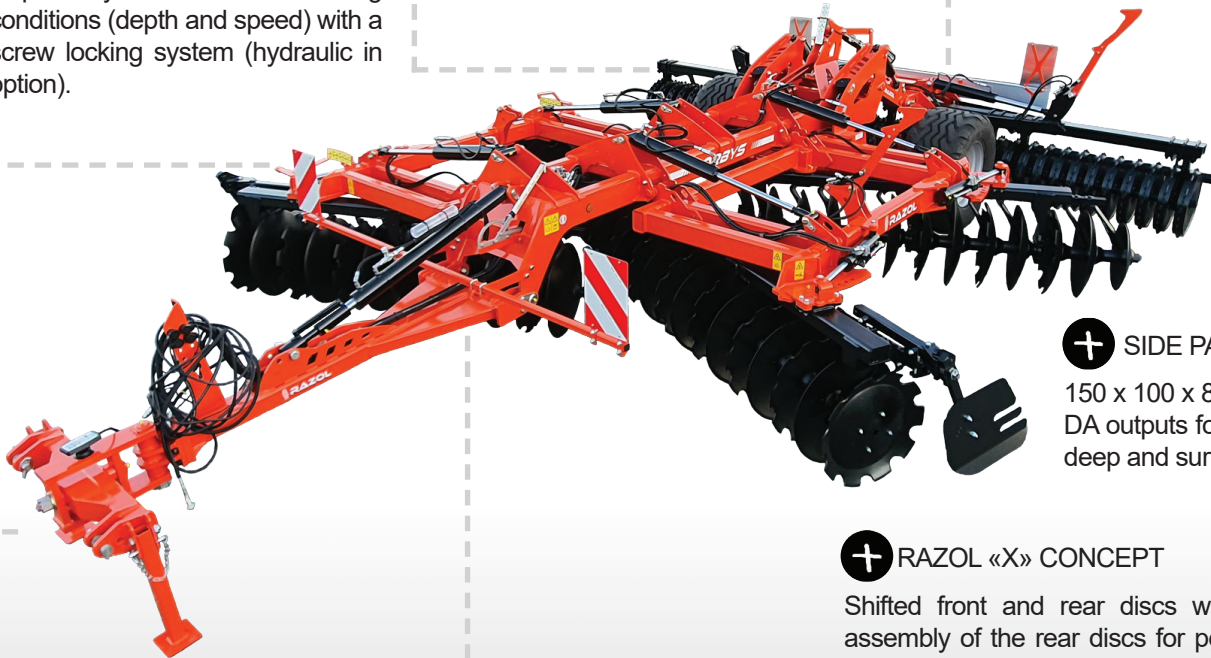
Articulated in 3 dimensions, category n°3N offering an optimal angle of 200°, perfect for short headlands.

+ MAIN CHASSIS

Double beam 200 x 100 x 10 mm for great sturdiness in difficult conditions.

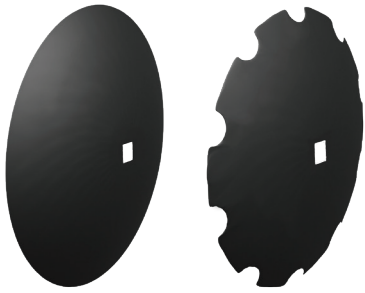
+ TRANSPORT WIDTH

At 3,00 m, standard mechanical coupling hydraulic brake, standard lighting and signalling for optimum safety on the road (automatic panels lock in transport mode).



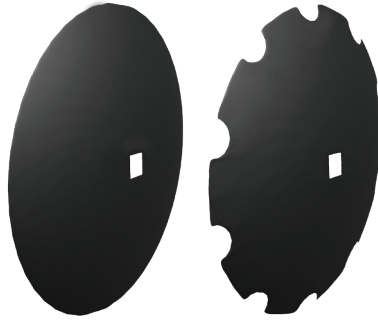
DISCS WITH INSIDE SHARPENING

Discs Ø660



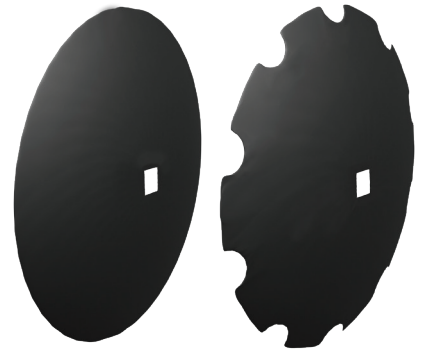
- Mounted on square shaft 40 mm
- Spacing between discs 200 or 230 mm
- Thickness available: 6, 7 and 8 mm

Discs Ø710



- Mounted on square shaft 40 mm
- Spacing between discs 200 or 230 mm
- Thickness available: 7 and 8 mm

Discs Ø730



- Mounted on square shaft 50 mm
- Spacing between discs 270 mm
- Thickness available: 7 and 8 mm

SQUARE BEARING 40 mm

Square bearing 40 mm



- Cast iron lids and bearing housings
- Steel sheath
- Tapered roller bearings

Square bearing 40 mm with standard protection

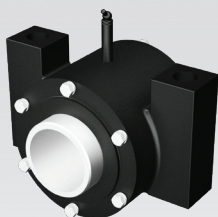


Square bearing 40 mm with reinforced protection



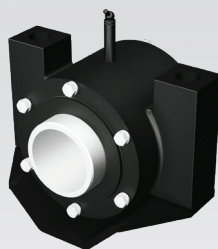
SQUARE BEARING 50 mm

Square bearing 50 mm

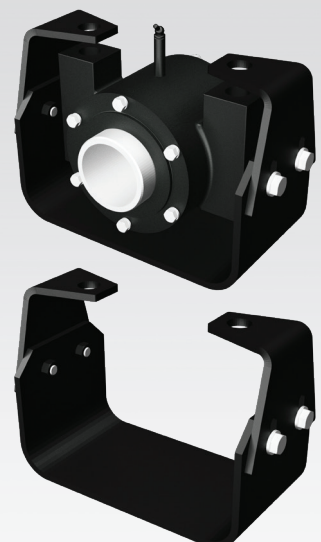


- Steel lids and bearing housings
- Steel sheath
- Tapered roller bearings

Square bearing 50 mm with standard protection



Square bearing 50 mm with reinforced protection



ACCESSORIES



+ DEFLECTOR DISC Ø510 mm

Fixed inside the first disc to avoid excessive earth projection outside the tool working width.



+ LATERAL DEFLECTOR

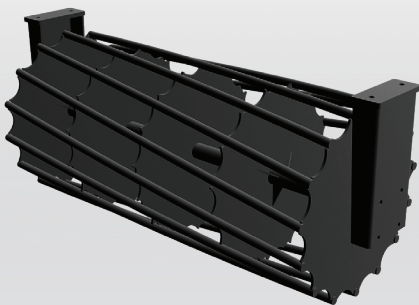
All directions adjustable, it prevents earth projection of the front array from getting out of the rear array working width.



+ CONTROL WHEELS 400/60 - 15.5 FL+

Manually adjustable and fixed to the discs arrays, they ensure the machine's stability for large width.

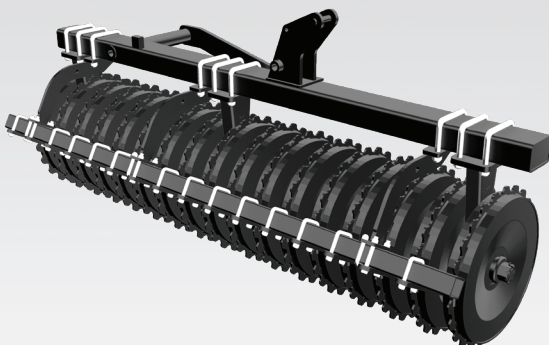
ROLLER



+ FULL ROUNDS

Ø800 mm, 15 rounds Ø35 mm
Flanged ball bearings Ø60 mm

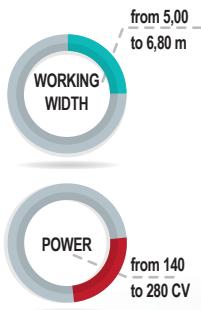
- Stony and soft lands
- Silt and sands
- Weight : 300 kg/m



+ ROLPACK

Ø620 mm, crenellated solid wheels
Pitch of 150 mm

- Stony and dry lands
- All conditions
- Tamps and stabilises
- Weight : 395 kg/m



Standard equipments

- CHASSIS steel beam 200 x 100 x 10 mm
- PANELS 150 x 100 x 8 mm with hydraulic lock in transport mode
- HITCH articulated head with clevises category n°3 on lifting arm
- ARRAYS 150 x 100 x 8 mm (or 200 x 100 x 8 mm if higher than 6,50 m or if ORBYS 50), manual angle adjustment 7 positions from 10 to 24°, locked with screw
- Manganese-silica SHAFT 40 mm (ORBYS 40), bearing with double rows of tapered rollers « crop » type, lubrication every 100 hours
- Manganese-silica SHAFT 50 mm (ORBYS 50), bearing with double rows of tapered rollers « crop » type and protection shell, lubrication every 100 hours
- BOOM CYLINDER for the hitch as standard
- AXLE square of 90 mm, 8 axes
- WHEELS 560/45 R 22.5 FL PRO radial
- ROLLER ADJUSTMENT 2 DA cylinders, 3rd point arm with screw, position visual cue
- VERTICAL FOLDING by 4 DA cylinders
- TRUCK 2 DA cylinder
- Mechanical coupling hydraulic BRAKE as standard

ORBYS 40 - 200 mm / 660-6 mm	52 discs	56 discs	60 discs	64 discs	68 discs
Working width	5,10 m	5,50 m	5,90 m	6,30 m	6,65 m
Roller working width	5,70 m	6,00 m	6,60 m	6,90 m	7,50 m
Power	140 to 180 cv	160 to 200 cv	180 to 220 cv	200 to 240 cv	220 to 280 cv
Number of bearings	12	12	16	16	16
Weight	6 195 kg	6 330 kg	6 520 kg	6 980 kg	7 540 kg

ORBYS 40 - 230 mm / 660-6 mm	44 discs	48 discs	52 discs	56 discs	60 discs
Working width	5,00 m	5,45 m	5,90 m	6,35 m	6,80 m
Roller working width	5,70 m	6,00 m	6,60 m	6,90 m	7,50 m
Power	140 to 180 cv	160 to 200 cv	180 to 220 cv	200 to 240 cv	220 to 280 cv
Number of bearings	12	12	16	16	16
Weight	5 947 kg	6 150 kg	6 370 kg	6 860 kg	7 350 kg

ORBYS 50 - 270 mm / 730-7 mm	40 discs	44 discs	48 discs
Working width	5,20 m	5,70 m	6,25 m
Roller working width	5,70 m	6,30 m	6,90 m
Power	180 to 220 cv	200 to 240 cv	220 to 280 cv
Number of bearings	16	16	16
Weight	7 090 kg	7 220 kg	7 450 kg

Options and accessories :

- Bearing protection shell
- Additional bearing
- Wheels 620/40-R22,5
- Long hitch
- Hitch with clevises category 4
- Independent hydraulic adjustment of front and rear arrays
- Deflector discs
- Side deflectors
- Control wheels
- Hectare counter
- Multifunction hydraulic selector

ROLLER MANDATORY

- CHASSIS double beam 150 x 100 x 10 for ROLPACK
- CHASSIS single beam 250 x 250 x 10 for FULL ROUNDS
- ARRAYS steel beam 150 x 100 x 10 mm
- NUMBER OF ELEMENTS : 2 for ROLPACK
3 for FULL ROUNDS
- VERTICAL FOLDING by 2 DA cylinders with hydraulic lock for transport mode

FULL ROUNDS	Weight	2 250 kg	2 370 kg	2 520 kg	2 607 kg	2 725 kg	2 965 kg
Ø800 mm, 15 rounds							
ROLPACK	Number of bearings	6	8	8	8	8	8
Ø620 mm, crenellated wheels	Weight	1 690 kg	1 780 kg	1 850 kg	1 930 kg	2 000 kg	2 190 kg

Accessories :

- ROLPACK roller scraper ramp



Devices **with INDEPENDENT DISCS**

SKYRON fixed independent disc harrow
SKYRON folding independent disc harrow
SKYRON self-supporting independent disc harrow



Devices **with DISCS X**

ORBYS self-supporting X combining sprayer
ZÉNITH RGH self-supporting X combining sprayer
ZÉNITH RZH self-supporting X combining sprayer
ZÉNITH RJH self-supporting X combining sprayer
PHÉNIXTGX self-supporting X sprayer
PHÉNIXTBX self-supporting X sprayer



Devices **with DISCS V**

CWH - CWHR super heavy self-supporting V Cover Crop
SYNCHRONIC CIN self-supporting V Cover Crop
CLH - CVH heavy self-supporting V Cover Crop
CIH - CJH self-supporting V Cover Crop



Devices **with SUPPORTED DISCS**

VITICROP mounted X sprayer
VINIDISC mounted disc harrow
TXL mounted X sprayer
TRW heavy-duty mounted reversible sprayer
CCW - CCU mounted reversible sprayer



Devices **for ROLLING**

ROLLPACK self-supporting cast iron roller
TORO - RVH self-supporting cast iron roller
RVH EVO self-supporting steel smooth roller



Devices **with TINES**

KILIS - KILIS R combined cultivator with flexible tines
TÉOS - TÉOS R stubble cultivator with curved tines 3 rows



Devices **for LOOSENING**

ARASOL AVLE supported subsoiler
ARASOL AVS - AVR supported subsoiler
ARAPLOW ACV supported decompactor
ARAPLOW ACM - ACMH supported decompactor
ARAMULCH ADM - ADMH supported decompactor
DVV supported subsoiler for vineyard and orchards



Devices **for SPRING**

BLI - BMI - BSI folding and fixed mounted cultivator