

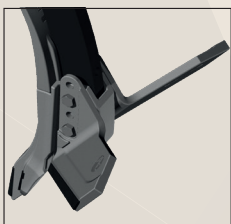


SCH 0080P-HY



www.agricarb.com

SCH 0080P-HY



Bolt Protection

No exposure of the bolts head, the extra steel thickness of the part protects the head of the bolts during tillage.

The Tungsten Carbide tips

The amount of carbide has been studied in order to maintain the geometry of the part and increase its working lifespan.

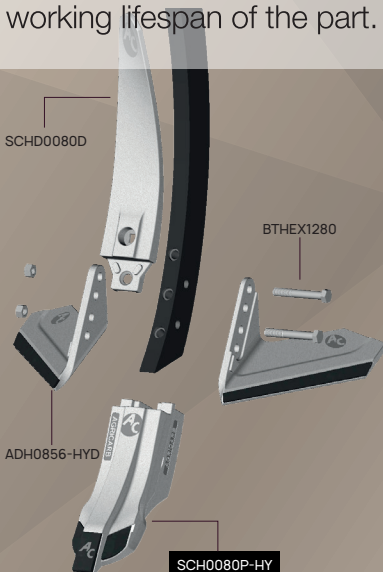


Reinforced Steel part

Hardened steel forged part, reinforcement of areas sensitive to wear will ensure an increase in the working lifespan of the part.

DIE +
AGRICARB

- Maximized steel reserve
- No screw exposure
- Bolt protection
- Optimized carbide distribution
- Leg protection
- Wings protection



THE ORIGIN OF AGRICULTURAL CARBIDE