

Trouble-free cooling: safe and without downtimes

Tested leaktightness: Tested with air and water

24/7 operation: designed to be reliable and durable

 **MADE**
 **IN**
 **GERMANY**



Vortex flow sensors

For data center cooling

Vortex flow sensors // VVX // Stainless steel

for data center cooling

Data centers need permanently reliable cooling. SIKA supplies the solution with precise flow measurement for maximum security in Cooling Distribution Units (CDU).

Three key advantages make SIKA vortex flow sensors the perfect choice:

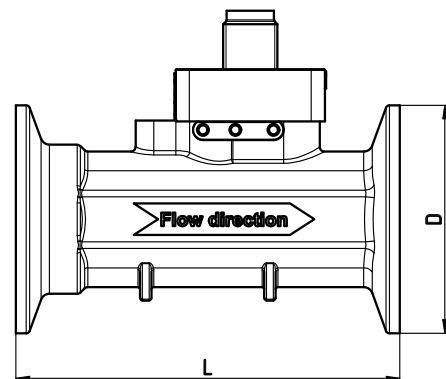
- **Trouble-free cooling** – No failures thanks to proven flow monitoring.
- **Maximum leaktightness** – Tested with air & water, especially for high performance IT.
- **Durability** – Designed for reliable 24/7 operation for a long time.



Technical data		
Medium Temperature	-20...90 °C (non-freezing), 105 °C @ max. 90 % Qmax and 60 °C ambient	
Pressure rating	PN 16	
Nominal diameter	Process connection	Measuring range
DN 15	G $\frac{3}{4}$	1.5...35 l/min
DN 20	G1	4...85 l/min
DN 25	G 1 $\frac{1}{4}$ or Tri-Clamp	6...145 l/min
DN 32	G 1 $\frac{1}{2}$ or Tri-Clamp	12...250 l/min
DN 40	G 2 or Tri-Clamp	22...400 l/min

Output signals	Power supply
Frequency output NPN open collector	5 V DC
Frequency output push pull	12...24 V DC
4...20 mA	12...24 V DC

Dimensions	D [mm]	L [mm]
VVX25	50.5	85
VVX32	50.5	90
VVX40	64	100



SIKA: Experts for safe cooling of data centers

- **Application know-how & co-engineering** – developing solutions together with customers.
- **Highest quality assurance** – 100% tested, traceable.
- **Experience that counts** – Decades of expertise in heating and cooling water applications.

Perfect fit



Temperature sensors
Small design for confined spaces



Multisensors
Humidity, temperature, pressure

Learn more

Reliable cooling, no downtimes!
Scan the QR code and get all the details – directly from our experts.

