

### Overview

### HP Engage Express

**Countertop**

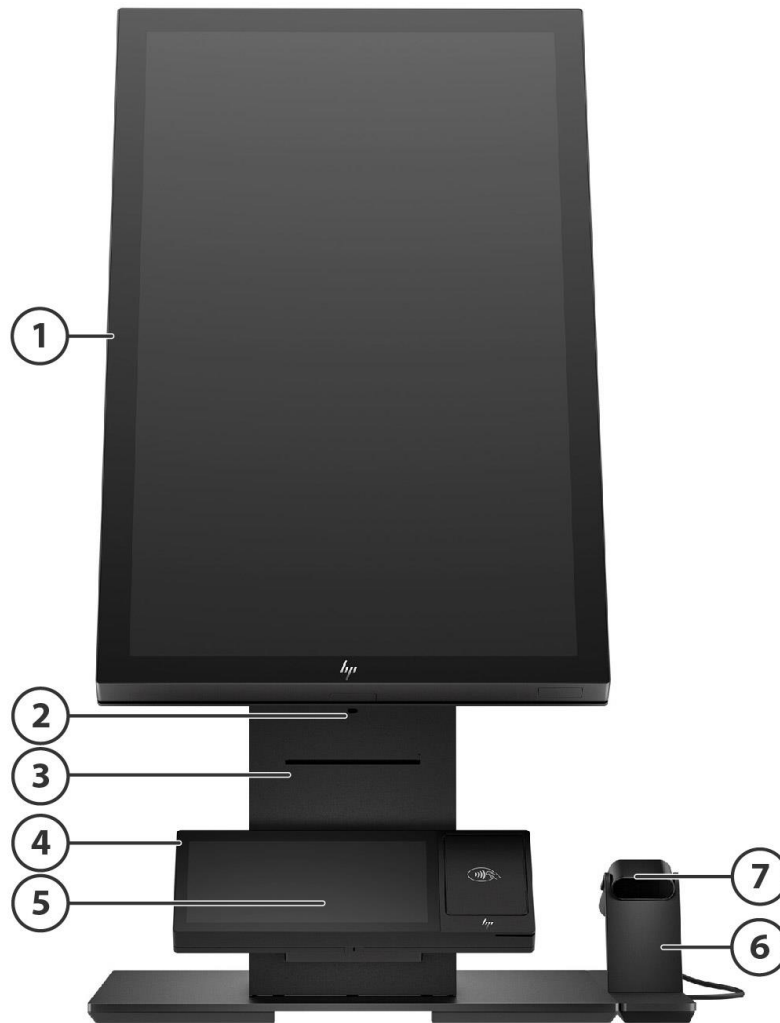


**Pedestal**



### Overview

### HP Engage Express Countertop



- |   |  |
|---|--|
| 1. HP Engage One Pro AiO Head Unit                          | 5. Payment Arm <sup>4</sup>                            |
| 2. Printer Drawer Pin Hole <sup>1</sup>                     | 6. HP Engage Express Countertop Barcode Scanner Cradle |
| 3. Custom Modus 3 Printer <sup>2</sup>                      | 7. HP Engage 2D G2 Barcode Scanner                     |
| 4. HP Engage 6.6 Inch with Ingencio Moby 5500M <sup>3</sup> |  |

<sup>1</sup>Metal pin comes with HP Engage Countertop in Printer configuration only and the metal pin is used to open printer drawer.

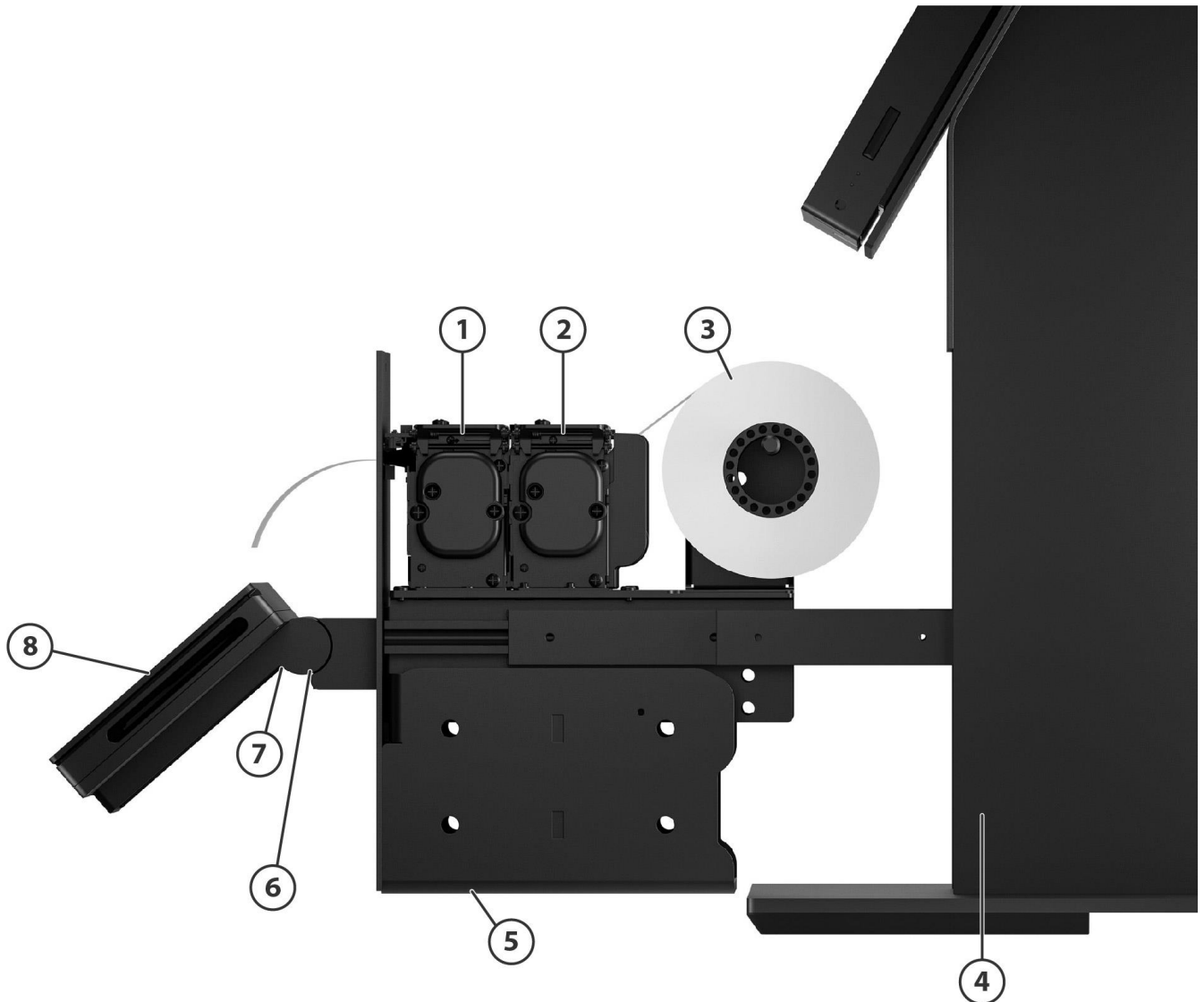
<sup>2</sup> Printer is factory installation only and must be configured at purchase.

<sup>3</sup>The Moby/5500M available for United States only and excludes integrated battery. Non-Ingencio One Gateways require Ingencio firmware updates.

<sup>4</sup>Payment arm shown is 75mm VESA® and is only compatible with HP Engage 6.6-inch Display for Ingencio Moby 5500M available in the U.S. only. Other payment terminals require an additional payment arm to be added at purchase (PN: 7Y397AA) + 3<sup>rd</sup> party bracket for the selected payment device.

### Overview

### Custom Modus 3 Printer



1. Printer Presenter<sup>1</sup>
2. Custom Modus 3 Printer<sup>2</sup>
3. Receipt Paper
4. HP Engage Express Countertop
5. Front Printer Drawer<sup>2</sup>
6. HP Engage 6.6 Inch with Ingencio Moby 5500M<sup>3</sup>
7. Screw to adjust payment arm torque
8. Payment Arm<sup>4</sup>

<sup>1</sup>Helps to prevent jamming of printer receipt paper.

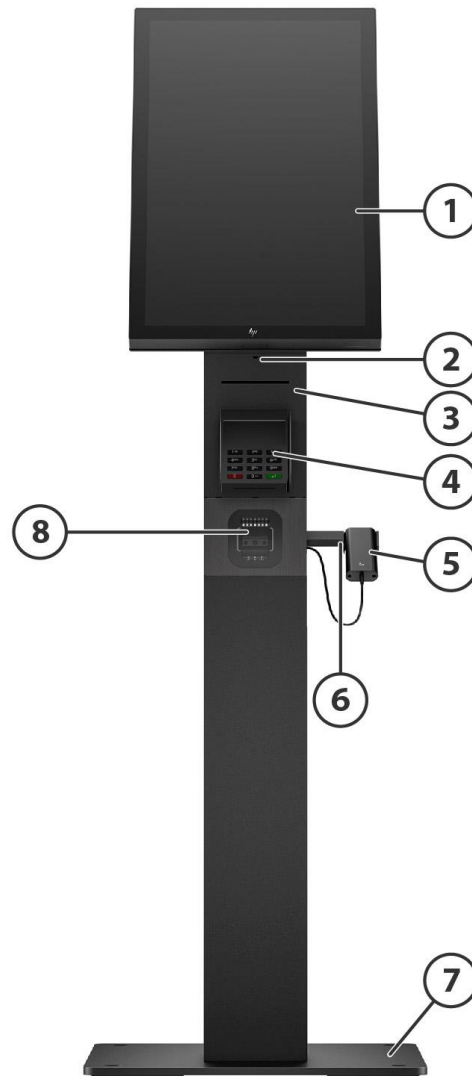
<sup>2</sup>Custom Modus3 Printer is factory installed only and must be configured at purchase.

<sup>3</sup>The Moby/5500M available for United States only and excludes integrated battery. Non-Ingencio One Gateways require Ingencio firmware updates.

<sup>4</sup>Payment arm shown is 75mm VESA® and is only compatible with HP Engage 6.6-inch Display for Ingencio Moby 5500M available in the U.S. only. Other payment terminals require an additional payment arm to be added at purchase (PN: 7Y397AA) + 3<sup>rd</sup> party bracket for the selected payment device.

### Overview

### HP Engage Express Pedestal



1. HP Engage One Pro AiO Head Unit
2. Printer Drawer Pin Hole<sup>1</sup>
3. Custom Modus 3 Printer<sup>2</sup>
4. Generic Payment<sup>3</sup>
5. HP Engage 2D G2 Barcode Scanner
6. HP Engage Express Pedestal Barcode Scanner Cradle
7. HP Engage Express Pedestal Base Plate holes for mounting x4<sup>4</sup>
8. Datalogic Magellan 1500i Scanner<sup>5</sup>

<sup>1</sup>Metal pin comes with HP Engage Express Printer configurations only and is used to open printer drawer.

<sup>2</sup>Custom Modus3 Printer is factory installed only and must be configured at purchase.

<sup>3</sup>Payment terminal and mounting brackets are not included.

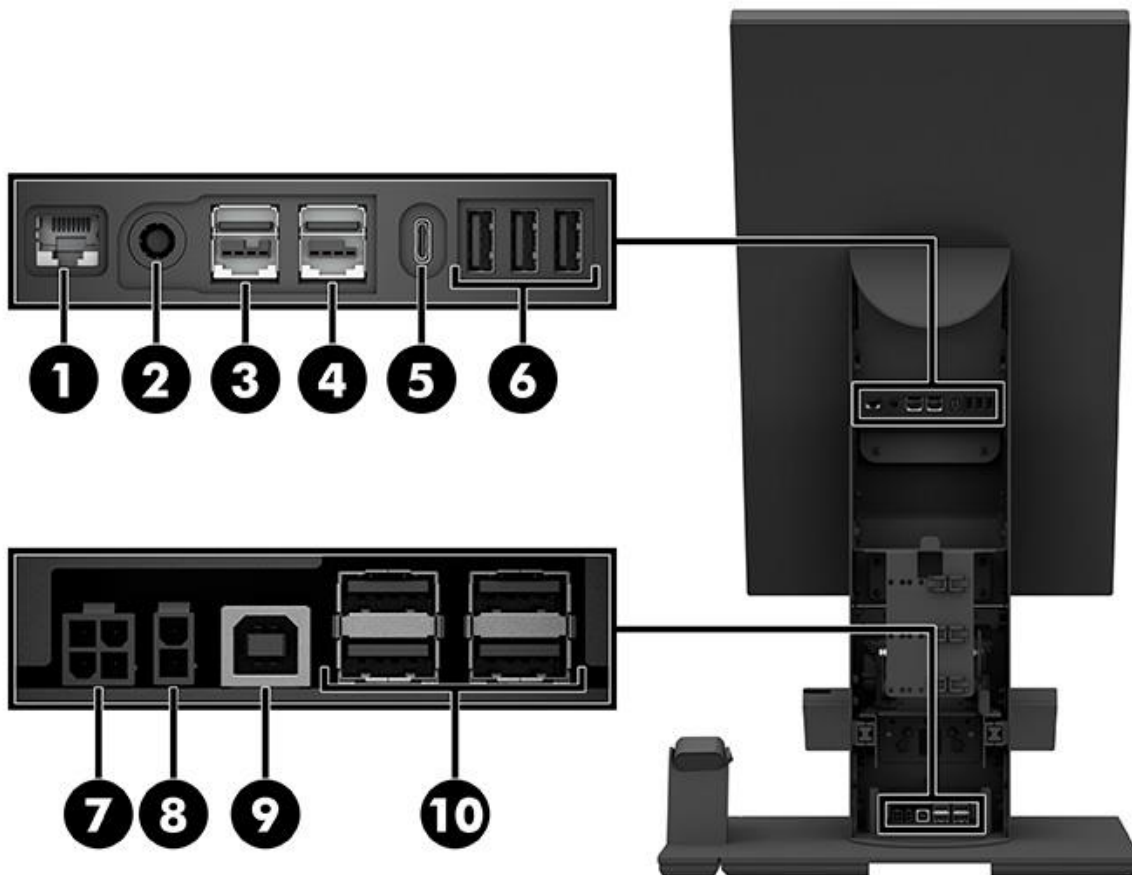
<sup>4</sup>HP Engage Express Pedestal Stand must be bolted to the floor, mounting bolts are not included.

<sup>5</sup>The Datalogic Magellan 1500i Barcode Scanner is factory installed only and must be configured at purchase.

### Overview

### Rear View

HP Engage Express VESA® hub	
1. 1x RJ-45 Port	4. 1x Powered USB 12V Port
2. 1x DC Power Connector	5. 1x USB-C
3. 1x Powered USB 24V Port	6. 3x USB-A 3.2



HP Engage Mini Hub	
7. 1x 4-Pin Power Connector (Power source for Pro VESA® hub)	9. 1x USB-B (USB-A extension from VESA® Hub)
8. 1x 2-Pin Power Connector (Power source for Printer)	10. 4x USB-A 2.0

**NOTE:** HP Engage One Pro VESA® Hub must be configured with HP Engage One Pro AiO for compatibility with HP Engage Express Countertop or Pedestal Stands. HP Engage Mini Hub is included in HP Engage Express Countertop and Pedestal Stands.

### Overview

**NOTE:** If a USB peripheral needs more than 5V of power, use the 12V or 24V Powered USB ports in the Pro VESA Hub rather than the USB-A ports in the Mini Hub. Power voltage threshold may vary depending on the peripheral.

### HP Engage Express Countertop Barcode Scanner Cradle

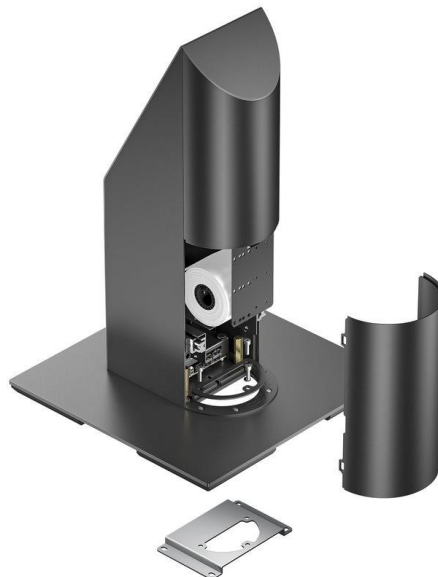


- The HP Engage Express Countertop Barcode Scanner Cradle includes the HP Engage 2D G2 Barcode Scanner.
- The HP Engage Express Countertop Barcode Scanner Cradle is purchased separately from HP Engage Express Countertop Stands.
- It can be installed on the right or left side of the countertop stand.

**NOTE:** HP Engage Express Countertop Barcode Scanner Cradle is only compatible with HP Engage Express Countertop Stands.

### Overview

#### HP Engage Express Countertop Mount



- The HP Engage Express Countertop Mount is sold separately.
- The 4 screws to connect the countertop mount to a surface are not included.

**NOTE: HP Engage Express Countertop Mount is only compatible with HP Engage Express Countertop Stands.**

#### HP Engage Express Universal Payment Arm

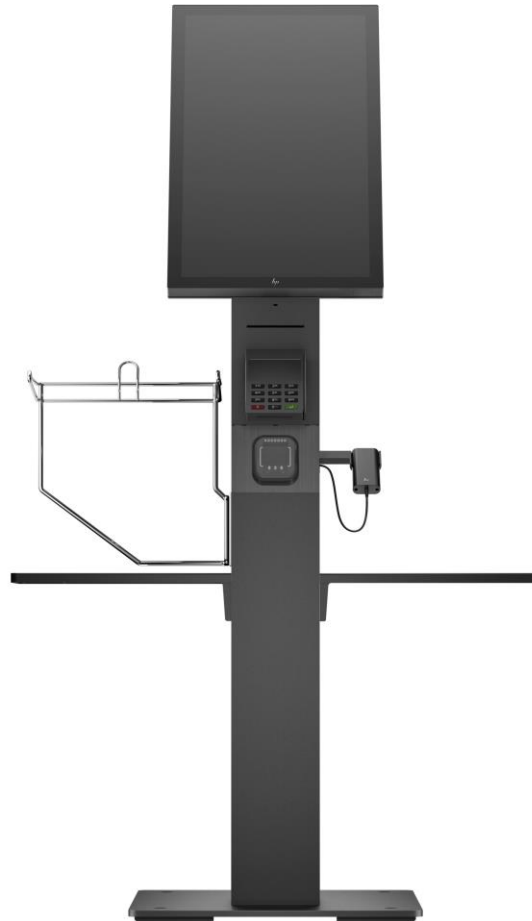


- The HP Engage Express Universal Payment Arm (PN: 7Y397AA) is sold separately.
- To secure the payment terminal to the 3<sup>rd</sup> party payment bracket and the Universal Payment Arm a key mechanism is included with the HP Engage Express Universal Payment Arm for extra security.

**NOTE: HP Engage Express Universal Payment Arm requires a 3PO payment bracket to connect to a payment terminal. Payment bracket and payment terminal are sold separately. You must choose an HP Engage Express Countertop or Pedestal Stand enabled for payment at purchase otherwise the universal payment arm will not connect to the stand.**

### Overview

### HP Engage Express Shelves & HP Engage Express Bag Holder



- The HP Engage Express Shelves and HP Engage Express Bag Holder are sold separately.
- HP Engage Express Bag Holder is left sided. If a bag holder is used, a shelf must be purchased and placed underneath the bag holder to hold the weight of items placed in the bags. Shelves are not interchangeable and can be adjusted up or down on the pedestal stand. Maximum weight per shelf is 20 kgs/44lbs.

**NOTE:** HP Engage Express Shelves and bag holder are only compatible with HP Engage Express Pedestal Stands.



### Overview

#### At A Glance: HP Engage Express (Stand only)

- Color: Ebony Black
  - AMO Stand Options:
    - HP Engage Express Countertop Stand
    - HP Engage Express Pedestal Stand**NOTE:** HP Engage Express Pedestal Stand must be bolted to the floor, bolts not included.
  - AMO Add-on Options:
    - HP Engage Countertop Barcode Scanner Cradle
    - HP Engage Shelves
    - HP Engage Bag Holder
    - HP Engage Express Universal Payment Arm
    - HP Engage Express Countertop Mount**NOTE:** Refer to disclaimers in product sections
  - Head Unit Compatibility: HP Engage One Pro All-in-One with Pro VESA® Hub
  - Peripheral Options
    - Payment Arm with 75mm VESA®
    - Custom Modus3 Printer (Integrated)
    - HP Engage 2D G2 Barcode Scanner
    - Datalogic Magellan 1500i Kiosk Barcode Scanner (Integrated)**NOTE:** Datalogic Magellan 1500i Kiosk Barcode Scanner is only compatible with Pedestal stand. The Custom Modus3 Printer is factory installed only and must be configured at purchase.
  - Optional Payment & Payment Mounts
    - HP Engage 6.6 Inch with Ingenico payment module or HP Engage 6.6 Inch for Ingenico payment module. (U.S Only)**NOTE:** Engage 6.6-inch Display for Ingenico Moby 5500M and HP Engage 6.6-inch Display with Ingenico Moby 5500M are not compatible with Android GMS. Payment arm is 75mm VESA® and is compatible only with HP Engage 6.6-inch Display for Ingenico Moby 5500M and HP Engage 6.6-inch Display with Ingenico Moby 5500M, available in the U.S. only. Payment terminals and 3rd party payment mounts are not included with the payment arm. Must configure payment arm at purchase.
  - HP Engage Express Universal Payment Arm
- NOTE:**
- HP Engage Express Universal Payment Arm requires a 3PO payment bracket to connect to a payment terminal. Payment bracket and payment terminal are not included. You must choose an HP Engage Express Countertop or Pedestal Stand enabled for payment at purchase otherwise the universal payment arm will not connect to the stand.
- HP Engage Express Mini Hub
  - NOTE:** HP Engage Mini Hub is included in HP Engage Express Countertop and Pedestal Stands.
  - NOTE:** If a USB peripheral needs more than 5V of power, use the 12V or 24V Powered USB ports in the Pro VESA Hub rather than the USB-A ports in the Mini Hub. Power voltage threshold may vary depending on the peripheral.
- 3 Year Onsite Warranty for HP Engage Express After Market Options except for select AMOs
  - NOTE:** HP Engage Express Shelves, HP Engage Express Bag holder, and HP Engage Express Countertop Mount have 3-year advanced exchange.

### Overview

#### At a Glance: Compatibility with HP Engage One Pro All-in-One Head Unit

- Color: Ebony Black
- Choice of 2 orientations: Landscape & portrait
  - Landscape offers the option with or without camera
- Choice of 3 Long lifecycle performance All-in-One (AiO) Retail System for retail and hospitality markets operator display:
  - 15.6" diagonal, FHD (1920 x 1080), touch, IPS, UWVA, anti-glare, 400 nits, 45% NTSC
  - 19.5" diagonal, FHD (1920 x 1080), touch, VA, UWVA, anti-glare, 450 nits, 72% NTSC
  - 23.8" diagonal, FHD (1920 x 1080), touch, IPS, UWVA, anti-glare, 625 nits, 72% NTSC**NOTE:** Actual brightness will be lower with touch screen
- Processor choices (Intel® Q470E chipset, 65W Processors):
  - 10th Generation Intel® Core™ i9, i7, i5, & i3 processors
  - Intel® Pentium® and Celeron® processors
- Intel® Wi-Fi 6 AX201 (2x2) and Bluetooth® 5 combo, non-vPro® Intel® Wi-Fi 6 AX201 (2x2) and Bluetooth® 5 combo, vPro® Intel® Wi-Fi 6 + Bluetooth® 5 (802.11AX 2x2) \*  
**\*Wireless access point and Internet service required and sold separately. Availability of public wireless access points limited. Wi-Fi 6 (802.11ax) is backwards compatible with prior 802.11 specs.**
- 1 VESA® Hub
  - HP Engage One Pro VESA Hub\*\*  
**NOTE:** Must configure HP Engage One Pro with Pro VESA® Hub for compatibility with HP Engage Express. Includes 230W power adapter.
- Integrated peripheral options
  - HP Engage Indicator Light
  - HP Engage One Pro Bar Code Scanner (choose between 3 locations: left, right, bottom) of the head unit
  - HP Engage One Pro MSR
  - HP Engage One Pro Fingerprint Reader  
**NOTE:** The Engage 6.6-inch Customer Facing Display integrated peripheral option on HP Engage One Pro is not compatible with HP Engage Express. HP Engage Indicator Light is an optional peripheral that requires factory installation and must be configured at the HP Engage One Pro AiO purchase.
- Intel WLAN Option
- HP Engage One Pro All-in-One Head Unit Standard Warranty Options – 90/90/90, 1/1/1, 3/3/3; Optional Care Packs available
- (2) Two DDR4 Memory Slots (64 Gb Maximum)
- 64 GB DDR4-3200 SDRAM Transfer rates up to 3200 MT/s.
- 2 SODIMM Memory slots
  - 128 GB to up to 1 TB PCIe® NVMe™ SSD
  - 256 GB to up to 512 GB PCIe® NVMe™ SS
- Integrated HD audio with Realtek ALC3247 codec with standards internal speakers and stereo headphone jack, 2W

For more information & disclaimers on HP Engage One Pro, reference the HP Engage One Pro AiO Quick Spec.

**NOTE: See important legal disclosures for all listed specs in their respective features sections.**

### Features

#### HP Engage One Express AMO (Configurations)

AMO Number	AMO Name	AMO Description
<b>6P2E2AA</b>	HP Engage Express Countertop 1	Deliver maximum functionality in a small footprint design with the HP Engage Express Countertop Stand. This simple stand meets your essential self-service needs without additional peripherals.
<b>6P2E3AA</b>	HP Engage Express Countertop 2	Deliver maximum functionality in a small footprint, self-service design with the HP Engage Express Countertop Stand with included payment arm. Sleek and streamlined, it is a versatile option that accommodates your choice of payment. <sup>1</sup>
<b>6P2E4AA</b>	HP Engage Express Countertop 3	Deliver maximum functionality in a small footprint, self-service design with the HP Engage Express Countertop Stand with included Custom Modus3 Printer. <sup>2</sup> The printer sleekly integrates into a front accessible drawer for easy maintenance.
<b>6P2E5AA</b>	HP Engage Express Countertop 4	Deliver maximum functionality in a small footprint, self-service design with the HP Engage Express Countertop Stand with included payment arm <sup>1</sup> and Custom Modus3 Printer. <sup>2</sup> The payment arm accommodates a variety of payment options, and the printer sleekly integrates into a front accessible drawer for easy maintenance.
<b>6P2E7AA</b>	HP Engage Express Pedestal 5	Enhance and streamline customer experiences with an elegantly crafted, highly versatile self-service stand. The HP Engage Express Pedestal Stand <sup>3</sup> delivers a sleek footprint and is ruggedly durable — meeting all your essential self-service needs.
<b>6P2E8AA</b>	HP Engage Express Pedestal 6	Enhance and streamline customer experiences with the sleek HP Engage Express Pedestal Stand <sup>3</sup> with included payment arm. It is elegantly crafted, ruggedly durable, and the payment arm accommodates a variety of payment options. <sup>1</sup>
<b>6P2E9AA</b>	HP Engage Express Pedestal 7	Enhance and streamline customer experiences with the sleek HP Engage Express Pedestal Stand <sup>3</sup> with included Custom Modus3 Printer <sup>2</sup> . It is elegantly crafted, ruggedly durable, and the printer cleanly integrates into a front accessible drawer for easy maintenance.
<b>6P2F0AA</b>	HP Engage Express Pedestal 8	Enhance and streamline customer experiences with the elegantly crafted, ruggedly durable HP Engage Express Pedestal Stand <sup>3</sup> with included payment arm <sup>1</sup> and Custom Modus3 Printer <sup>2</sup> . The payment arm accommodates a variety of payment options, and the printer sleekly integrates into a front accessible drawer for easy maintenance.
<b>6P2F1AA</b>	HP Engage Express Pedestal 9	Enhance and streamline customer experiences with the elegantly crafted, ruggedly durable HP Engage Express Pedestal Stand <sup>3</sup> with included payment arm <sup>1</sup> , Custom Modus3 Printer <sup>2</sup> , and hand-held HP Engage 2D G2 Barcode Scanner. The payment arm accommodates a variety of payment options, the printer sleekly integrates into a front accessible drawer for easy maintenance, and the hand-held barcode scanner allows scanning of 1D and 2D omnidirectional barcodes as well as mobile device scanning.
<b>6P2F2AA</b>	HP Engage Express Pedestal 10	Enhance and streamline customer experiences with the elegantly crafted, ruggedly durable HP Engage Express Pedestal Stand <sup>3</sup> with included payment arm <sup>1</sup> , Custom Modus3 Printer <sup>2</sup> , and Datalogic Magellan 1500i Kiosk Barcode Scanner <sup>4</sup> . The payment arm accommodates a variety of payment options, and the printer sleekly integrates into a front accessible drawer for easy maintenance. The barcode scanner integrates into the stand for a seamless scanning solution.
<b>6P2F3AA</b>	HP Engage Express Pedestal 11	Enhance and streamline customer experiences with the elegantly crafted, ruggedly durable HP Engage Express Pedestal Stand <sup>3</sup> with included payment arm <sup>1</sup> , Modus3 Printer <sup>2</sup> , integrated Datalogic Magellan 1500i Kiosk Barcode Scanner <sup>4</sup> , and hand-held HP Engage 2D G2 Barcode Scanner. It delivers maximum function in a modern, small footprint design to complement your environment.

### Features

#### HP Engage Express AMO (Add-Ons)

AMO Number	AMO Name	AMO Description
<b>6P2F9AA</b>	HP Engage Express Countertop BCS Cradle	Built for demanding environments, the HP Engage Express Countertop Barcode Scanner Cradle <sup>5</sup> provides an optimal place for your hand-held barcode scanner to rest while keeping counters clutter-free.
<b>6P2G0AA</b>	HP Engage Express Shelves	Add greater convenience to the self-checkout experience with HP Engage Express Shelves <sup>6</sup> for the HP Engage Express Pedestal Stand. <sup>3</sup> One right shelf and one left shelf are included.
<b>6P2F7AA</b>	HP Engage Express Bag Holder	Easy to use, the HP Engage Express Bag Holder <sup>6</sup> securely holds bags on the left side of the HP Engage Express Pedestal Stand <sup>3</sup> for quick and efficient checkout.
<b>7P9E2AA</b>	HP Engage Express Countertop Mount	Mount the HP Engage Express Countertop Stand to the counter for extra security.
<b>7Y397AA</b>	HP Engage Express Universal Payment Arm	Universal Payment arm <sup>7</sup> that enables a variety of payment terminals to connect to HP Engage Express Countertop and Pedestal Stands.
<b>10P74AA</b> <b>156P0AA</b>	HP Engage 6.6 inch Display for Ingenico Moby (U.S. Only) HP Engage 6.6 inch Display with Ingenico Moby (U.S. Only)	Simplify and enhance your checkout experience with this sleek 6.6" diagonal customer facing display <sup>8</sup> with integrated payment that accepts card-based payments, including chip insert, swipe, tap and contactless pay.

#### Disclaimers:

1. Payment arm is 75mm VESA® and is compatible only with HP Engage 6.6 inch Display for Ingenico Moby 5500M and HP Engage 6.6 inch Display with Ingenico Moby 5500M , available in the U.S. only. Payment terminals and 3rd party payment mounts not included with payment arm. Payment arm must be configured at purchase.
2. The Custom Modus3 Printer is factory install only and must be configured at purchase.
3. HP Engage Express Pedestal Stand must be bolted to the floor, bolts not included. See product Quick Specs for more information.
4. The Datalogic Magellan 1500i Barcode Scanner is factory install only and must be configured at purchase.
5. HP Engage Express Countertop Cradle includes the HP Engage 2D G2 Barcode Scanner and is only compatible with the HP Engage Express Countertop Stand.
6. HP Engage Express Shelves and HP Engage Express Bag Holder are only compatible with the HP Engage Express Pedestal Stand. Maximum weight per shelf is 20 kgs/44lbs.
7. HP Engage Express Universal Payment Arm requires a 3PO payment bracket to connect to a payment terminal. Payment bracket and payment terminal are not included. Must choose a HP Engage Express Countertop or Pedestal Stand enabled for payment at purchase or the universal payment arm will not connect to the stand.
8. The stand must be taken off the HP Engage 6.6 inch Display with and for Moby devices before attached to HP Engage Express. Only supported in the U.S and not all Engage system models are available in all regions. Touch input is supported on Windows and not supported on Android GMS. Touch input is also supported on the HP Engage One Essential and the HP Engage One Pro for Android AOSP. For more information on the HP Engage 6.6 inch Display for and with Moby, reference the QuickSpecs <https://h20195.www2.hp.com/v2/GetDocument.aspx?docname=c08169372>.

### Features

#### PORTS

##### HP Engage One Pro Pro VESA® Hub I/O:

- 1x 140W data port (PDO cable to Head Unit)<sup>1</sup>
- 1x RJ45 vPro NIC
- 1x UAJ (Audio jack)
- 4x Integrated USB-A Gen1 Peripherals ports
- 2x USB3.2 G1 Type-A / 900mA
- 2x USB3.2 G1 Type-A / 2.2A

##### HP Engage Express Mini hub I/O:

- 1x 4 Pin Power Connector (Power source for Pro VESA® hub)
- 1x 2 Pin Power Connector (Power source for Printer)
- 1x USB-B (USB-A extension from VESA® Hub )
- 4x USB-A 2.0

**NOTE:** HP Engage Mini Hub is included in HP Engage Express Countertop and Pedestal Stands. Pro VESA® Hub must be configured on the HP Engage One Pro to work with HP Engage Express Stands.

**NOTE:** If a USB peripheral needs more than 5V of power, use the 12V or 24V Powered USB ports in the Pro VESA Hub rather than the USB-A ports in the Mini Hub. Power voltage threshold may vary depending on the peripheral.

#### USB SPECIFICATION

##### Speed

Hi-Speed USB 480Mbps signaling rate

SuperSpeed USB 5Gbps signaling rate

##### Terminology

USB 2.0

USB 3.2 Gen 1

#### Integrated Custom Modus 3 Printer

##### General

##### Supported Character Set/ Resident Code Pages:

290 Japanese/ Katakana  
 437 US  
 720 Arabic  
 737 Greek  
 850 Multi-lingual  
 852 Slavic  
 855 Cyrillic  
 857 Turkish  
 858 with Eurosymbol  
 860 Portuguese  
 862 Hebrew  
 863 French Canadian  
 864 Arabic  
 865 Nordic  
 866 Cyrillic  
 932 Japanese  
 949 Korean - Hangul  
 1125 Ukrainian  
 1250 Latin  
 1251 Cyrillic

### Features

1252 Windows Latin I  
 1253 Greek  
 1254 Turkish  
 1255 Hebrew  
 1256 Arabic  
 1257 Baltic  
 1258 Vietnamese  
 GB18030 Chinese (Simplified & Traditional)  
 ISO8859-2 Latin 2  
 KU42 Thai  
 Unicode support for resident fonts/ Code Pages

<b>Bar Codes</b>	1D: UPC-A, UPC-E, EAN 8, EAN 13, EAN 128, Code 39, Code 93, Code 128 Parsed, Codabar, ITF 2D: QR Code, DataMatrix, PDF417
<b>Print Method</b>	Direct Thermal
<b>Printing Speed</b>	Up to 120 mm/sec
<b>Printer Sensor</b>	Head temperature, paper presence, black mark, cover open
<b>Resolution</b>	203 DPI
<b>Roll Width</b>	80 mm
<b>Print Width</b>	76 mm
<b>Flash Memory</b>	2 MB
<b>RAM</b>	640 KB
<b>Knife</b>	Full cut only (remove partial cut because HP Engage Express without presenter module is not available)
<b>Receipt-Columns</b>	44/56 (80mm paper roll)
<b>Paper Type</b>	Thermal Paper
<b>Roll Core Diameter</b>	25 mm
<b>Estimated life</b>	1000000 cuts
<b>External roll diameter</b>	80mm max.
<b>Cash drawer</b>	Not supported
<b>Knife cuts</b>	1000000 cuts
<b>Print head life</b>	150 km or 100 M pulse durability
<b>Interface</b>	USB2.0 type-A
<b>Operating voltage</b>	19.5V
<b>Current consumption</b>	0.8A
<b>Standby consumption</b>	0.03A

### Environmental Conditions

<b>Operating temperature</b>	-20°C to 70°C
<b>Relative humidity</b>	10% to 85% (w/o condensation)
<b>Storage temperature</b>	-20°C to 70°C
<b>Storage relative humidity</b>	10% to 90% (w/o condensation)

### Features

#### Drivers

Windows, OPOS, JPOS, Android, Linux

#### Operating System

##### Compatible with:

##### Windows

- Windows 11 Pro 64-bit
- Windows 10 Pro 64-bit
- Windows 10 IoT Enterprise 2019 LTSC 64-bit (RS5-based)
- Windows 10 IoT Enterprise 2016 LTSB 64-bit (RS1-based)

##### Linux

- CentOS: 8.4.2105-x86\_64
- Fedora: Workstation-Live-x86\_64-34-1.2
- OpenSUSE: Leap-15.3-DVD-x86\_64
- SUSE Linux: 12-SP5-Server-DVD-x86\_64-GM-DVD1, SUSE Linux-15-SP2-Full-x86\_64, SUSE Linux 15-SP3-Full-x86\_64
- Ubuntu: 18.04.5-desktop-amd64, ubuntu-20.04.2.0-desktop-amd64, ubuntu-mate-20.04.2.0-desktop-amd64

##### Android

- HP Android 11.0 (HP Engage One Pro AiO)
-

### Technical Specifications - HP Engage 2D G2 Barcode Scanner

#### HP Engage 2D G2 Barcode Scanner



#### Model

HP Engage 2D G2 Barcode Scanner (Black)

#### Introduction

Deliver an efficient customer experience with the reliable, versatile, and efficient HP Engage 2D G2 Barcode Scanner, HP's smallest, slimmest barcode scanner. It reads mobile wallets, digital coupons, and printed barcodes, and can be used by hand or in presentation mode.

#### Key Features and Benefits

- Quickly scan mobile wallets and digital coupons from customer mobile devices or printed 1D and 2D barcodes. Intuitive feedback confirms a successful read.
- Supports a wide variety of symbols, including 1D, 2D, and OCR.
- Built into an IP42-sealed and drop-resistant (1.2 m/ 3.94 ft) housing, can stand up to tough environments.
- User-friendly illumination and aiming: Employs highly- visible laser aimer to achieve crisp and accurate targeting while using flicker-free white soft illumination to reduce eye strain and fatigue from long-time operation.
- Powerful data formatting capability: Allows customizing scanned data with ease and provides supporting software to address diverse application needs.

#### Compatibility

The HP Engage 2D G2 Barcode Scanner is compatible with HP Retail & Industry Solutions systems.

**NOTE:** Not all Point of Sale system models are available in all regions.

#### Service and Support

Three (3) year limited warranty with advance exchange when purchased from HP. Additional HP Care Pack Services options are available to extend warranty coverage.

#### General

<b>Scanner Technology</b>	Global Shutter
<b>Image Sensor</b>	1280 x 800 CMOS
<b>Light source/ illumination</b>	White LED
<b>Aiming</b>	650 nm red laser diode



### Technical Specifications - HP Engage 2D G2 Barcode Scanner

<b>Read Rate</b>	60 frames/second
<b>Motion Tolerance</b>	20 cm/second
<b>Resolution</b>	>= 3 mil*
<b>Field of View</b>	Horizontal: 47°; vertical: 30°
<b>Typical Depth of Field</b>	Depth of Field distance determined by symbol length and scan angle. Printing resolution, contrast, and ambient light dependent.

\*Test conditions: T=23°C; Illumination=3001ux using incandescent lamp; sample barcodes made by Newland.

#### Typical Performance \*

Narrow Width	Depth of Field
Code 39	55 mm – 220 mm (5 mil)
Data Matrix	45 mm – 245 mm (10 mil)
EAN-13	45 mm – 450 mm (13 mil)
PDF417	55 mm – 195 mm (6.7 mm)
QR Code	20 mm – 320 mm (15 mil)

\* Performance may be impacted by bar code quality and environmental conditions.

<b>Min. Symbol Contrast</b>	20% minimum reflectance difference*
-----------------------------	-------------------------------------

\*Test conditions: T=23°C; illumination=3001ux using incandescent lamp; sample barcodes made by Newland.

<b>Scan Angle*</b> <b>Roll (tilt)</b>	± 360°
--	--------

\*Test conditions: Scan Distance= (min. DOF + max. DOF)/2; T=23°C; Illumination=3001ux using incandescent lamp; 2D: QR Code; 10 Bytes; Resolution=1Smil; PCS=0.8.

<b>Pitch</b>	± 55°
<b>Skew</b>	± 60°

<b>Additional Features</b>	Data parsing (driver license parsing), data formatter
----------------------------	---

#### Symbologies

<b>1D (Linear)</b>	AIM 128 Codabar Code 11 Code 39 Code 49 Code 93 Code 128 Code 16K Coupon EAN-8 EAN-13 Febraban GS1-128 (UCC/ EAN-128) GS1 Composite (EAN UCC Composite)
--------------------	--

### Technical Specifications - HP Engage 2D G2 Barcode Scanner

GS1 Databar (RSS)  
 Industrial 25  
 Interleaved 2 of 5  
 ISBN  
 ISBT 128  
 ISSN  
 ITF-6  
 ITF-14  
 Matrix 25  
 MSI-Plessey  
 Plessey  
 Standard 25  
 UPC-A  
 UPC-E

#### 2D

Aztec Barcode  
 Chinese Sensible Code  
 Code One  
 Data Matrix  
 GM Code  
 MaxiCode  
 MicroPDF417  
 Micro QR Code  
 PDF417  
 QR Code

#### Postal Codes

Australian Post  
 China Post 25  
 KIX Post (Netherlands)  
 Royal Mail (UK)  
 USPS Intelligent Mail  
 USPS Postnet

#### Mechanical/ Electrical

<b>Dimensions (H x W x D)</b>	160 x 44 x 33 mm (6.30 x 1.73 x 1.18 in)
<b>Cable length</b>	1.8m (5.9 ft)
<b>Color</b>	Ebony Black or Ceramic White
<b>Power Typical Current</b>	5V – 255.76 mA
<b>Weight</b>	130g (4.59 oz)
<b>Interface</b>	USB
<b>Input Voltage</b>	5.0 Vdc +/- 5%
<b>Typical Current</b>	5V – 255.76 mA

#### Environmental

<b>Operating Temperature</b>	-20°C to 60°C (-4°F to 140°F)
<b>Storage Temperature</b>	-40°C to 70°C (-40°F to 158 °F)
<b>Humidity</b>	5% to 95% relative humidity, non-condensing
<b>ESD</b>	±15KV (air discharge); ±8KV (contact discharge)
<b>Drop</b>	1.2m (3.94 ft)
<b>Sealing</b>	IP42

---

## Technical Specifications - HP Engage 2D G2 Barcode Scanner

### Drivers

Windows USB COM, OPOS, and JPOS

### Operating System

#### Compatible with:

#### Windows

Win 11 Pro 64-bit

Win 10 Pro 64-bit

Windows 10 IoT Enterprise LTSC 2021 64-bit

Windows 10 IoT Enterprise LTSC 2019 64-bit

Windows 10 IoT Enterprise LTSC 2016 64-bit

#### Linux

Ubuntu 20.04.1 LTS

Ubuntu-18.04.6-desktop-amd64

Ubuntu-20.04.4.0-desktop-amd64

Ubuntu-22.04.0.0-desktop-amd64

RHEL 9.0-x86\_64

SLE-12-SP5-Server-x86\_64

SLE-15-SP3-x86\_64

Debian-11.3.0-amd64

### Agency Certifications

FCC Part 15 Class B, CE EMC Class B, KCC, VCCI

### Option Kit Contents

HP Engage 2D G2 Barcode Scanner with attached 5.9 ft (1.8M) USB cable, scanner stand

---

## Technical Specifications - HP Engage Indicator Light

### HP Engage Indicator Light



#### General

<b>Standard Colors</b>	white, red, green, yellow
<b>Brightness</b>	6,400 nits in solid states; up to 10,000 nits in flicker states
<b>Indicator Light Dimensions (excluding USB connector)</b>	56 (W) x 29.4 (H) x 8.3 (D) mm (2.2 x 1.6 x 0.3 inches)
<b>Indicator Light Module Dimensions (including USB connector)</b>	56 (W) x 29.4 (H) x 53.5 (D) mm (2.2 x 1.6 x 2.1 inches)
<b>Net Weight</b>	Approx. 21 grams (0.74 oz)
<b>Interface</b>	USB in 5V only
<b>MTBF</b>	30,000 hours
<b>Power Consumption</b>	5V - 600mA
<b>EMC / Safety Standards</b>	FCC, CE, VCCI, RCM, KCC, ICE, CSA, EAC

#### Power

<b>Voltage (typical)</b>	5 VDC +/- 10%
<b>Current Consumption (typical)</b>	200mA
<b>Communication Interface</b>	USB (HID class)

#### Operating System

<b>Compatible with:</b>	<p><b>Windows</b></p> <ul style="list-style-type: none"> <li>Windows 10 IoT Enterprise 2019 LTSC 64-bit</li> <li>Windows 10 IoT Enterprise 2021 LTSC 64-bit</li> <li>Windows 10 Pro 21H2 64-bit and newer</li> <li>Windows 11 Pro 22H2 64-bit and newer</li> </ul>
-------------------------	--

### Technical Specifications - HP Engage Indicator Light

#### Linux

Red Hat Enterprise Linux (RHEL) x64 8.5 and newer  
SUSE Linux Enterprise Server (SLES) x64 15 SP3 and newer  
Ubuntu x64 20.04.3.0 and newer

#### Android

Android 11 including Android 11 GMS

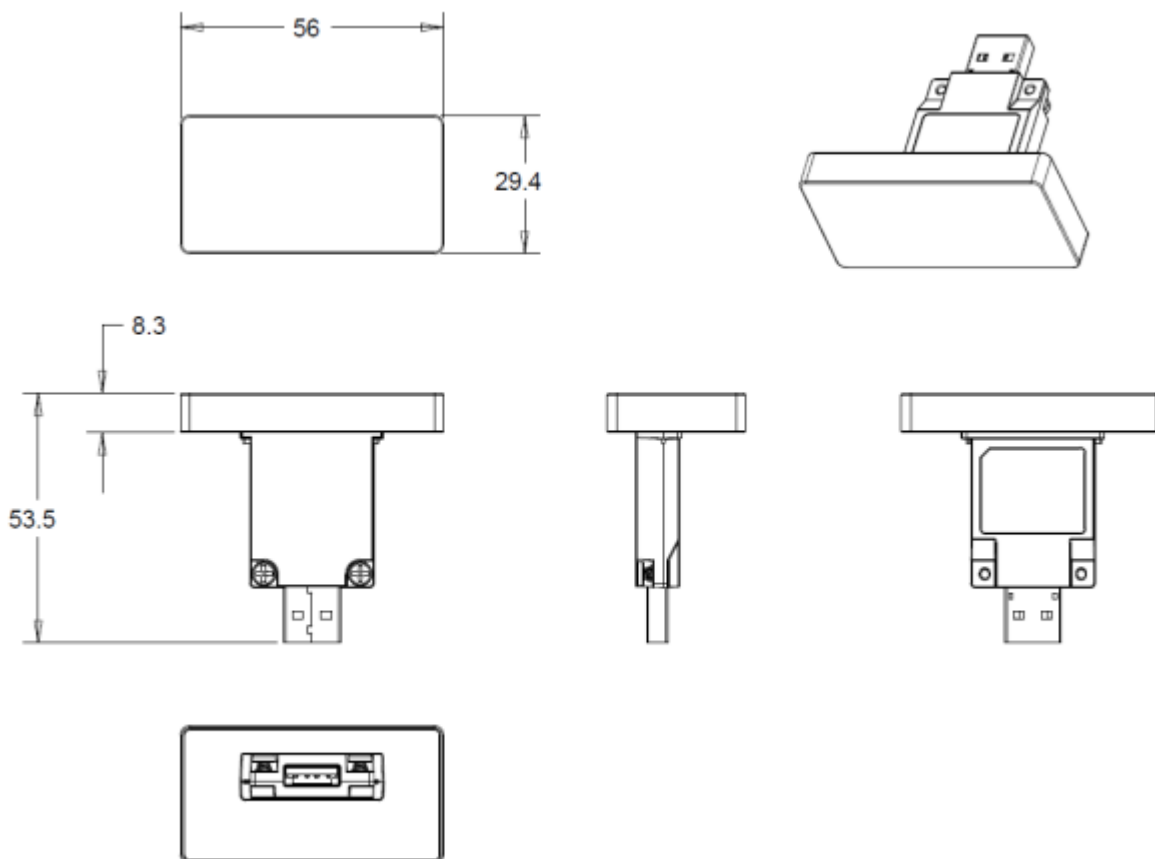
#### Software Interface

OPOS (Windows), JPOS (Linux, Windows, and Android) and HP Retail SDK for Android

#### Default Settings

- Initial state on Power on (plug-in): White
- Default setting of brightness: 50%

**NOTE:** HP Engage Indicator Light is an optional peripheral that requires factory installation and must be configured at HP Engage One Pro AiO purchase.



Dimensions in mm

## Technical Specifications - Datalogic Magellan 1500i Kiosk Barcode Scanner

### Datalogic Magellan 1500i Kiosk Barcode Scanner



### Key Features and Benefits

- Seamlessly reads 1D and 2D bar codes, whether printed or displayed on mobile phone, laptop, or tablets.
- Digimarc® Barcode decoding.
- Subtle, adaptive illumination for user comfort.
- Compact, ergonomic design is ideal for hands-free or hand held operations
- Datalogic's 'Green Spot' technology for good-read feedback

### General

<b>Scanner Type</b>	Omnidirectional Imager		
<b>Source</b>	1 Megapixel: 1280 x 800 pixel		
<b>Light source</b>	LED		
<b>Depth of Field</b>	Typical Performance*		
	<b>Narrow Width</b>	<b>Depth of Field</b>	
	1D/Linear Codes 3.5 in)	5 mils: 2.5 to 9.0 cm (0.9 to	
		7.5 mils: 0 to 17.0 cm (0 to 6.6 in)	
		10 mils: 0 to 21 cm (0 to 8.2 in)	
		UPC: 13 mils: 0 to 25.0 cm (0 to 9.8 in)	
		20 mils: 1.0 to 30.0 cm (0.4 to 11.8 in)	
	2D Codes (0.9 to 4.3 in)	PDF: 6.5 mils: 2.5 to 11.0 cm	
		Data Matrix: 13 mils: 0 too 17.0 cm (0 to 6.7 in)	
		PDF: 16 mils: 0 to 2.0 cm (0 to 7.8 in)	
		Data Matrix: 24 mils: 0 to 25.0 cm (0 to 9.8 in)	
<b>Symbol Contrast</b>	25% minimum reflectance		
<b>Roll (tilt)</b>	360°		

## Technical Specifications - Datalogic Magellan 1500i Kiosk Barcode Scanner

<b>Pitch</b>	± 65°
<b>Skew</b>	± 75°
<b>1D decode symbologies</b>	Autodiscriminates all standard 1D codes including GS1 DataBar™ linear codes.
<b>2D decode symbologies</b>	Aztec Code Data Matrix MaxiCode QR Code
<b>Postal decode symbologies</b>	Australian Post British Post Canadian Post China Post IMB Japanese Post KIX Post Planet Code Portuguese Post Postnet Royal Mail Code (RM4SCC) Swedish Post
<b>Stacked decode symbologies</b>	GS1 DataBar Composites GS1 DataBar Expanded Stacked GS1 DataBar Stacked GS1 DataBar Stacked Omnidirectional Micro PDF417 PDF417

### Mechanical

<b>Dimensions (L x W x H)</b>	6.0 x 7.5 x 8.4 cm (2.4 x 3.0 x 3.3 in)
<b>Weight</b>	170 g (6 oz)
<b>Cable length</b>	2 m (6.5 ft)
<b>Color</b>	Black

### Interface/Connection

<b>Interface</b>	USB-A
------------------	-------

### Temperature

<b>Operating</b>	0 to 40 °C (32 to 104 °F)
<b>Storage/transport</b>	-40 to 70 °C (-40 to 158 °F)
<b>Humidity (non-condensing)</b>	5 - 95%

### Power

<b>Standby</b>	300mA
<b>Current Operating</b>	500mA

### Reliability

<b>Ambient Light</b>	0 to 86,100 lux
<b>Water Penetration Protection</b>	IP52
<b>Drop ESD</b>	1.2 m (4.0 ft) 25 kV

### Drivers

Windows UBB HID-KB and OPOS & JPOS (via USB-COM mode drivers)

### Operating System

<b>Compatible with:</b>	<b>Windows</b> Windows 10 IoT Enterprise for Retail (64-bit)
-------------------------	---

### Technical Specifications - Datalogic Magellan 1500i Kiosk Barcode Scanner

Windows 10 Pro (64-bit)

**Linux**

Red Hat/Cento 6 and 7 (32-bit and 64-bit)

Suse Linux® Enterprise POS 11 SP3 (32-bit and 64-bit)

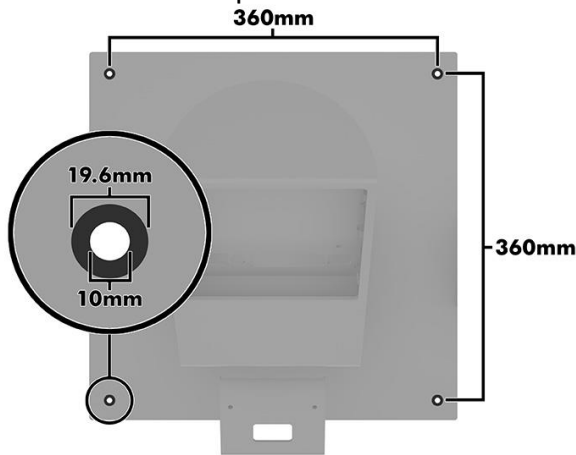
Ubuntu 14.04 LTS (32-bit and 64-bit)

**Agency Certifications**

IEC62368

### HP Engage Express Pedestal Stand Mounting

Pedestal Base Plate Top View



**NOTE:** HP Engage Express Pedestal Stand must be bolted to the floor, bolts not included.

### HP Engage Express Countertop & Pedestal Dimensions with HP Engage One Pro AiO

**NOTE:** Weight and dimensions below do not include MSR, Biometric Reader, Countertop BCS Cradle, Bag Holder, Shelves, and Payment Arm.

Description	Length/Depth (in/mm)	Width (in/mm)	Height (in/mm)
Countertop + 15.6" Landscape	13.78/350.00	15.65/397.56	23.08/586.18
Countertop + 15.6" Portrait	13.78/350.00	13.78/350.00	25.65/651.40
Countertop + 19.5" Landscape	13.78/350.00	19.48/494.80	24.01/609.95
Countertop + 19.5" Portrait	13.78/350.00	13.78/350.00	27.37/695.26
Countertop + 23.8" Landscape	13.78/350.00	22.36/568.00	24.78/629.37
Countertop + 23.8" Portrait	13.78/350.00	13.78/350.00	28.72/729.39
Pedestal + 15.6" Landscape	17.99/457.00	17.99/457.00	53.24/1352.18
Pedestal + 15.6" Portrait	17.99/457.00	17.99/457.00	55.41/1407.35
Pedestal + 19.5" Landscape	17.99/457.00	19.48/495.00	54.17/1375.95



### Technical Specifications - Datalogic Magellan 1500i Kiosk Barcode Scanner

Pedestal + 19.5" Portrait	17.99/457.00	17.99/457.00	57.53/1461.16
Pedestal + 23.8" Landscape	17.99/457.00	22.36/568.00	54.94/1395.37
Pedestal + 23.8" Portrait	17.99/457.00	17.99/457.00	58.87/1495.39
HP Engage Express Countertop Barcode Scanner Cradle (with HP Engage 2D G2 BCS)	13.78/350.00	5.61/142.50	3.85/97.85
HP Engage Express Shelves (2)	14.49/368.00	7.24/184.00	4.00/101.56
HP Engage Express Bag Holder	8.52/216.37	13.37/339.50	13.75/349.31
HP Engage Express Countertop Mount	3.94/100.00	6.14/156.00	1.04/26.50
HP Engage Express Universal Payment Arm	7.15/181.70	3.50/88.94	2.24/56.97

### HP Engage Express Countertop and Pedestal Weights

AMO Number	AMO Name	Weights (lb/kg)
6P2E2AA	HP Engage Express Countertop 1	26.90/12.20
6P2E3AA	HP Engage Express Countertop 2	27.12/12.30
6P2E4AA	HP Engage Express Countertop 3	28.22/12.80
6P2E5AA	HP Engage Express Countertop 4	28.45/12.90
6P2E7AA	HP Engage Express Pedestal 5	79.37/36.00
6P2E8AA	HP Engage Express Pedestal 6	79.59/36.10
6P2E9AA	HP Engage Express Pedestal 7	80.69/36.60
6P2F0AA	HP Engage Express Pedestal 8	80.91/36.7
6P2F1AA	HP Engage Express Pedestal 9	81.57/37.00
6P2F2AA	HP Engage Express Pedestal 10	81.35/36.90
6P2F3AA	HP Engage Express Pedestal 11	82.01/37.20
6P2F9AA	HP Engage Express Countertop Barcode Scanner Cradle (with HP Engage 2D G2 BCS)	2.89/1.31
6P2G0AA	HP Engage Express Shelves	2.49/1.13 (per shelf)
6P2F7AA	HP Engage Express Bag Holder	2.34/1.06
7P9E2AA	HP Engage Express Countertop Mount	0.68/0.31
7Y397AA	HP Engage Express Universal Payment Arm	0.90/0.41

### HP Engage One Pro All-in-One System Weight and Dimensions

**NOTE:** Weight and dimensions below are only HP Engage One Pro units and do not include MSR, Biometric Reader, Webcam, or CFD.

#### Head Unit-15.6"

	Metric	US
--	--------	----

### Technical Specifications - Datalogic Magellan 1500i Kiosk Barcode Scanner

Head Unit-15.6" Dimensions (Landscape)		
Height [mm/in]	241.0	9.5
Width [mm/in]	397.6	15.7
Depth [mm/in]	26.4	1.0
Volume (Liters/cubic inches)	2.5	154.35
Head Unit-15.6" Dimensions (Portrait)		
Height [mm/in]	241.0	9.5
Width [mm/in]	397.6	15.7
Depth [mm/in]	26.4	1.0
Volume (Liters/cubic inches)	2.5	154.35
Head Unit-15.6" Weight (Landscape)		
[kg/lb.]	3.37	7.4
Head Unit-15.6" Weight (Portrait)		
[kg/lb.]	3.35	7.4

### Head Unit-19.5"

	Metric	US
Head Unit-19.5" Dimensions (Landscape)		
Height [mm/in]	292.6	11.5
Width [mm/in]	494.8	19.5
Depth [mm/in]	29.4	1.2
Volume (Liters/cubic inches)	4.3	259.75
Head Unit-19.5" Dimensions (Portrait)		
Height [mm/in]	292.6	11.5
Width [mm/in]	488.8	19.2
Depth [mm/in]	29.4	1.2
Volume (Liters/cubic inches)	4.2	256.60
Head Unit-19.5" Weight (Landscape)		
[kg/lb.]	5.70	12.6
Head Unit-19.5" Weight (Portrait)		
[kg/lb.]	5.69	12.5

### Technical Specifications - Datalogic Magellan 1500i Kiosk Barcode Scanner

Head Unit-23.8"		
	Metric	US
Head Unit-23.8" Dimensions (Landscape)		
Height [mm/in]	339.9	13.4
Width [mm/in]	576.4	22.7
Depth [mm/in]	29.4	1.2
Volume (Liters/cubic inches)	5.8	351.50
Head Unit-23.8" Dimensions (Portrait)		
Height [mm/in]	339.9	13.4
Width [mm/in]	570.4	22.5
Depth [mm/in]	29.4	1.2
Volume (Liters/cubic inches)	5.7	347.84
Head Unit-23.8" Weight (Landscape)		
[kg/lb.]	6.80	15.0
Head Unit-23.8" Weight (Portrait)		
[kg/lb.]	6.79	15.0

### Technical Specifications -

#### HP Engage One Pro VESA hub

	Metric	US
<b>Dimensions</b>		
Height [mm/in]	150.0	5.9
Width [mm/in]	125.0	4.9
Depth [mm/in]	24.4	1.0
<b>Weight(Without Adapter)</b>		
[kg/lb.]	0.54	1.20

#### HP Engage One Pro AiO Summary Dimension Matrix

Display Heads Only	Width (Horizontal)	Height (Vertical)	Thickness
15.6 Landscape	397.6	241.0	26.4
19.5 Landscape	494.8	292.6	29.4
23.8 Landscape	576.4	339.9	29.4
15.6 Portrait	241.0	391.6	26.4
19.5 Portrait	292.6	488.8	29.4
23.8 Portrait- Slim VESA only*	339.9	570.4	29.4

### Technical Specifications - Environmental

#### ENVIRONMENTAL & INDUSTRY

##### Environmental Data

###### Sustainable Impact Specifications

- Countertop: 5% Recycled Metal\*
- Pedestal: 9% Recycled Metal\*
- This product is 92% recycle-able when properly disposed of at the end of life.  
**FootNOTE:** Recycled metal is expressed as a percentage of the total weight of the metal according to ISO 14021 definitions for metal parts over 25 grams.

###### Packaging Materials

**External:** PAPER/Corrugated

**Internal:** PLASTIC/Polyethylene Expanded – EPE  
 PLASTIC/Polyethylene low density – LDPE

The EPE foam packaging material is made from 100% recycled content.

The corrugated paper packaging materials contains at least 35% recycled content.

The plastic bag is 100 % recyclable

###### Material Usage

This product does not contain any of the following substances above regulatory limits (refer to the HP General Specification for the Environment at <http://www.hp.com/hpinfo/globalcitizenship/environment/pdf/gse.pdf>):

- Asbestos
- Certain Azo Colorants
- Certain Brominated Flame Retardants – may not be used as flame retardants in plastics
- Cadmium
- Chlorinated Hydrocarbons
- Chlorinated Paraffins
- Formaldehyde
- Halogenated Diphenyl Methanes
- Lead carbonates and sulfates
- Lead and Lead compounds
- Mercuric Oxide Batteries
- Nickel – finishes must not be used on the external surface designed to be frequently handled or carried by the user.
- Ozone Depleting Substances
- Polybrominated Biphenyls (PBBs)
- Polybrominated Biphenyl Ethers (PBBEs)
- Polybrominated Biphenyl Oxides (PBBOs)
- Polychlorinated Biphenyl (PCB)
- Polychlorinated Terphenyls (PCT)
- Polyvinyl Chloride (PVC) – except for wires and cables, and certain retail packaging has been voluntarily removed from most applications.
- Radioactive Substances
- Tributyl Tin (TBT), Triphenyl Tin (TPT), Tributyl Tin Oxide (TBTO)

Notes: \* EPE foam packaging material is considered “recycled” pre-Consumer. The scrap or waste EPE material from the manufacturing process of these EPE foam pieces are re-introduced into the manufacturing process.

### Technical Specifications - Environmental

#### Packaging Usage

HP follows these guidelines to decrease the environmental impact of product packaging:

- Eliminate the use of heavy metals such as lead, chromium, mercury and cadmium in packaging materials.
- Eliminate the use of ozone-depleting substances (ODS) in packaging materials.
- Design packaging materials for ease of disassembly.
- Maximize the use of post-consumer recycled content materials in packaging materials.
- Use readily recyclable packaging materials such as paper and corrugated materials.
- Reduce size and weight of packages to improve transportation fuel efficiency.
- Plastic packaging materials are marked according to ISO 11469 and DIN 6120 standards.

#### End-of-life Management and Recycling

HP Inc. offers end-of-life HP product return and recycling programs in many geographic areas. To recycle your product, please go to: <http://www.hp.com/go/reuse-recycle> or contact your nearest HP sales office. Products returned to HP will be recycled, recovered, or disposed of in a responsible manner.

#### HP Inc. Corporate Environmental Information

For more information about HP's commitment to the environment

Global Citizenship Report

<http://www.hp.com/hpinfo/globalcitizenship/gcreport/index.html>

Eco-label certifications

<http://www8.hp.com/us/en/hp-information/environment/ecolabels.html>

ISO 14001 certificates:

PC Product Design ISO 14001 certificate

and

HP Operations ISO 14001 certificate

### Technical Specifications

#### Service and Support

Three-year (3-3-3) limited warranty delivers (three years) of on-site, next business day<sup>2</sup> service for parts and labor and complimentary limited technical support.<sup>3</sup> HP Engage Express Shelves, HP Engage Express Bag Holder, and HP Engage Express Countertop Mount are 3 year advanced exchange (3-3-0). Three-year onsite and labor are not available in all countries. Optional HP Care Pack for HP Engage One Pro All-in-One.<sup>1</sup> To choose the right level of service for your HP product, visit HP Care Pack Central: <http://http://www.hp.com/go/cpc>

#### NOTES:

1. Terms and conditions may vary by country. Certain restrictions and exclusions apply. Other warranty variations may be offered in your region.
2. On-site service may be provided pursuant to a service contract between HP and an authorized HP third-party provider, and is not available in certain countries. Global service response times are based on commercially reasonable best effort and may vary by country.
3. Technical support applies only to HP-configured Compaq and third-party HP-qualified hardware and software. 24 x 7 support may not be available in some countries.

Date of change:	Version History:		Description of change:
February 6, 2023	From v1 to v2	Changed	Integrated Custom Modus 3 Printer section
June 29, 2023	From v2 to v3	Changed	Format
August 31, 2023	From v3 to v4	Changed	HP Engage Express Mini hub section
October 9, 2023	From v4 to v5	Changed	Integrated Custom Modus 3 Printer section

Copyright © 2023 HP Development Company, L.P.

All rights reserved. Microsoft, Windows, Windows 7, Windows 8, and Windows 10 are registered trademarks or trademarks of Microsoft Corporation in the U.S. and/or other countries. Intel®, Celeron®, Pentium® and Core™ are registered trademarks or trademarks of Intel Corporation in the U.S. and/or other countries. Linux is the registered trademark of Linus Torvalds in the U.S. and other countries. Bluetooth® is a registered trademark of its proprietor and used by HP Inc. under license. ENERGY STAR® is a registered trademark owned by the U.S. Environmental Protection Agency.

The information contained herein is subject to change without notice. The only warranties for HP products are set forth in the express limited warranty statements accompanying such products. Nothing herein should be construed as constituting an additional warranty. HP shall not be liable for technical or editorial errors or omissions contained herein.