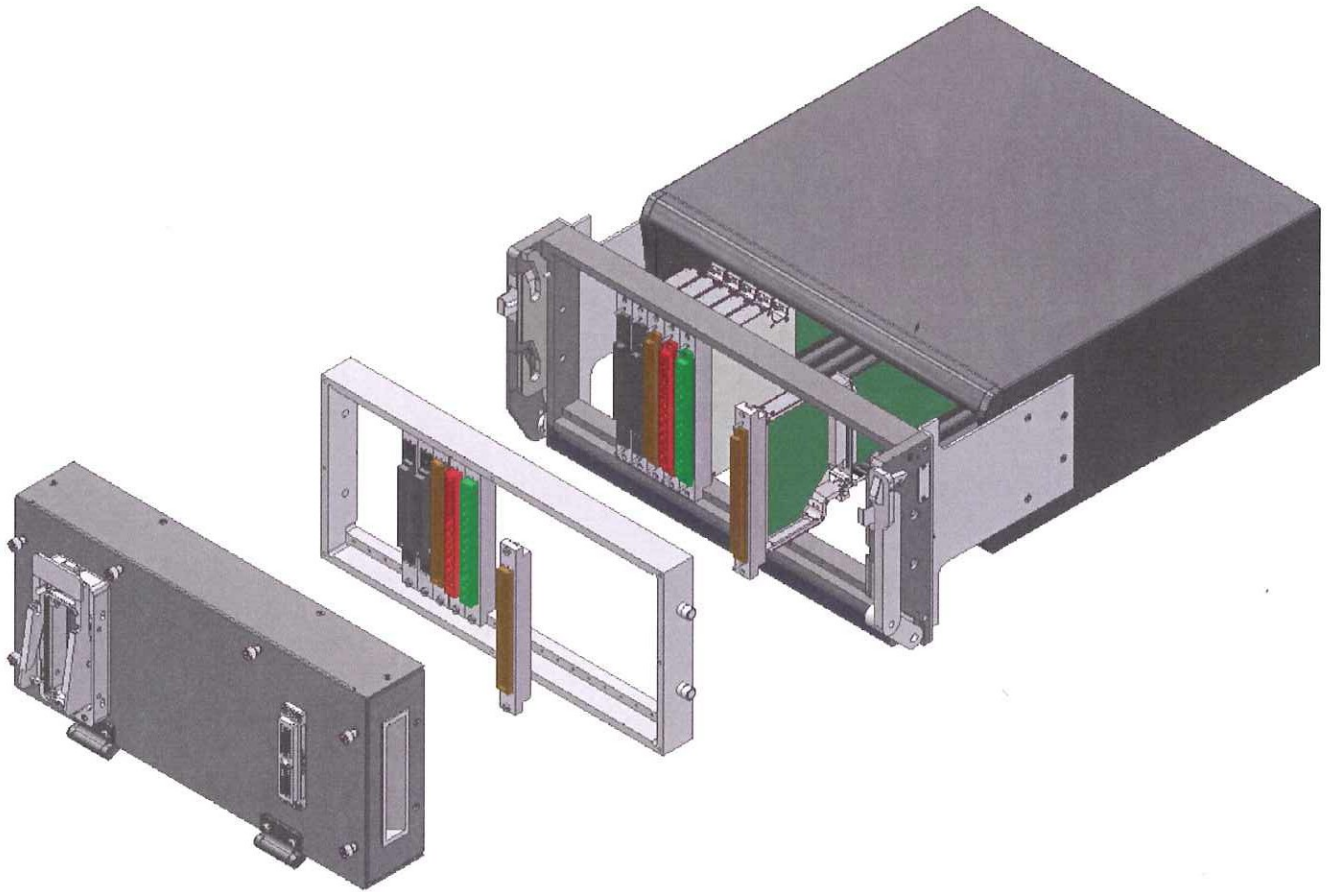


# SCOUT



The colors in this photo do not necessarily represent the actual product. They are for demonstration purposes only.

The new SCOUT is a PXI-focused interface with 21 active slots. Each instrument is attached to a connector module via an adapter, providing direct attachment to the chassis backplane. Instruments can be easily added or removed for maintenance or calibration. The adapters use module carriers that hold our standard L2000 Series connector modules. SCOUT offers a wide variety of power, signal, coax, RF and hybrid combinations, for Interconnect solutions. Connection between the instrument and interface module is accomplished using PC boards, thus eliminating the need for hard wiring, and providing a cost-effective alternative.

**MAC Panel Introduces our new PXI MASS Interconnect Solution!**

**MAC-PANEL**  
"Connecting You To The Future"

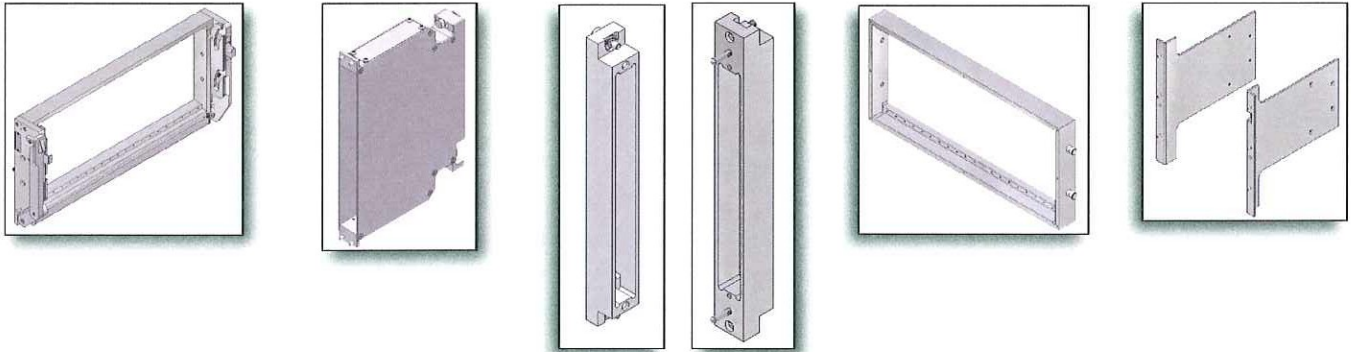
PH: 336.861.3100 [www.macpanel.com](http://www.macpanel.com) FAX: 336.861.6280

# PRODUCT PART NUMBERS AND DESCRIPTIONS

CONTACT THE MAC PANEL COMPANY SALES STAFF FOR PRICING  
336.861.3100 OR [SALES@MACPANEL.COM](mailto:SALES@MACPANEL.COM)

<u>PART NO.</u>	<u>DESCRIPTIONS</u>
561000	RECEIVER, PXI, 21 SLOTS
561001	ITA, PXI, 21 SLOTS
561002	ADAPTER, PULL-THRU, PXI, 1 SLOT
561003 **	MODULE CARRIER, RECEIVER, 1 SLOT
561004 **	MODULE CARRIER, ITA, 1 SLOT
561005	FLANGE KIT, NI PXI-1045
561006	PROTECTIVE COVER, RECEIVER
561007	PROTECTIVE COVER, ITA
561008	ENCLOSURE, 3 INCH DEEP, REMOVABLE DOOR PANEL
561009	ENCLOSURE, 6 INCH DEEP, REMOVABLE DOOR PANEL
561010	ENCLOSURE, 9 INCH DEEP, REMOVABLE DOOR PANEL
561011	ENCLOSURE, 12 INCH DEEP, REMOVABLE DOOR PANEL
561012	ENCLOSURE, 3 INCH DEEP, WITH HINGED DOOR
561013	ENCLOSURE, 6 INCH DEEP, WITH HINGED DOOR
561014	ENCLOSURE, 9 INCH DEEP, WITH HINGED DOOR
561015	ENCLOSURE, 12 INCH DEEP, WITH HINGED DOOR
561016	ADAPTER, PULL-THRU, PXI, 2 SLOT
561017	ADAPTER, PULL-THRU, PXI, 3 SLOT
561018	ADAPTER, PULL-THRU, PXI, 4 SLOT
561019	FLANGE KIT, PICKERING 18 SLOT

\*\* SEE THE MAC PANEL SERIES L2000 ENGINEERING REFERENCE MANUAL FOR COMPLETE MODULE AND CONTACT INFORMATION THAT ARE USED IN THESE CARRIERS.



## MAC Panel Company

CORPORATE OFFICES  
551 W. Fairfield Rd. High Point, NC 27263  
PH: 336.861.3100 FAX: 336.861.6280  
[sales@macpanel.com](mailto:sales@macpanel.com)

EUROPEAN OFFICES  
Clarence Road, Bollington  
Macclesfield, Cheshire SK10 5JZ  
PH: (+44) (0) 1625-572133 FAX: (+44) (0) 1625-576166  
[sales@mei-technologies.com](mailto:sales@mei-technologies.com)

[www.macpanel.com](http://www.macpanel.com)