

EXTRUSION INDUSTRY

BIAX FILM

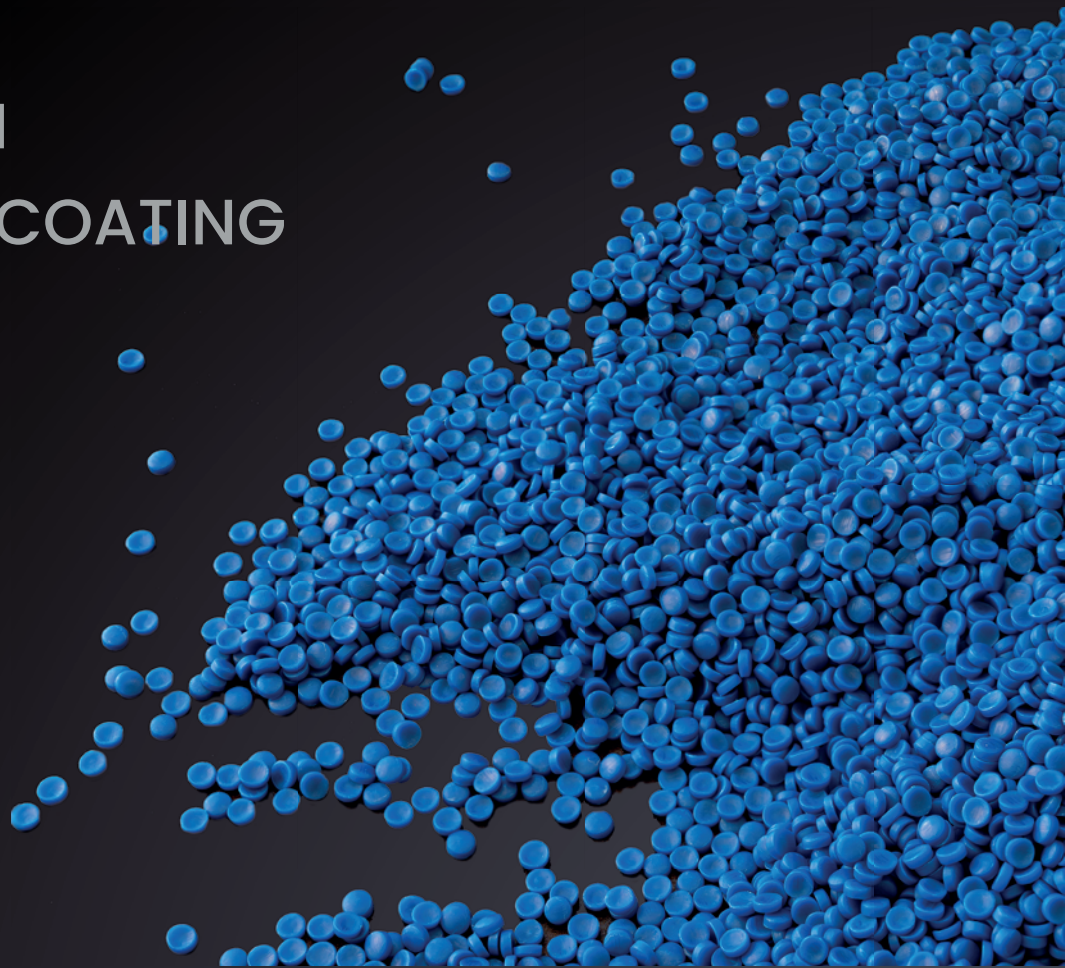
MDO FILM

CAST FILM

BLOWN FILM

EXTRUSION COATING

FOAM





FRANCE HEADQUARTERS

Founded in 1992, SCANTECH was first to introduce low-energy x-ray transmission technology for the measurement of lightweight materials. Today, over 1,000 scanners are installed annually around the world for many types of production lines, including all types of extruded films, non-woven fibers, lamination and coatings processes, and metals.

SCANTECH continues to lead the world-wide market for X-ray, laser, infrared, and microwave online measurement and control systems, as well as visual inspection tools thanks to our focus on innovation. We are dedicated to expanding and perfecting our offer to include groundbreaking technology, incorporating laser triangulation, ergonomic UI, and automatic calibration.

SCANTECH is headquartered in France, with fully-owned subsidiaries in China (Guangzhou), the USA, Germany, Italy, South Korea, India, Malaysia, and Taiwan. All core components, such as sensors and electronic circuit boards, are designed in France and the entire production process is supervised by French professional and technical personnel.

To ensure product quality and customer satisfaction, each subsidiary provides comprehensive customer support, and installation and maintenance services locally. With multiple assembly centers around the world, SCANTECH can supply the same high-quality products to domestic customers, and provide timely service and a complete stock of spare parts.

Each center is in full accordance with the quality standards of SCANTECH's production plant in France.

ONLINE M
AND COM

>1000

SYSTEMS INSTALLED EACH YEAR

7000+

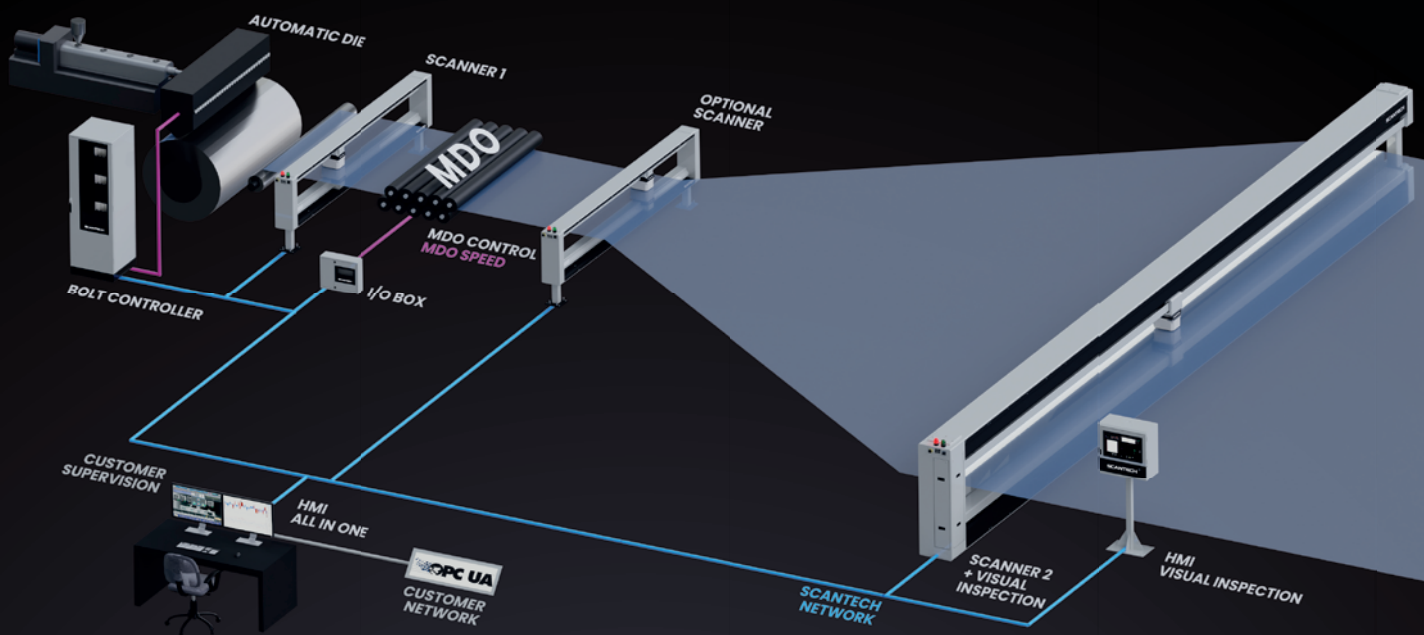
SYSTEMS INSTALLED WORLDWIDE



SCAN ME AND
DISCOVER MORE
ABOUT **SCANTECH**

MEASUREMENT
CONTROL

BIAX FILM



CONTROL



AUTO MAPPING

APC - Auto Profile Control



TDO STRETCH PROFILE



MELT FLOW MODEL

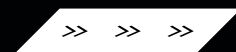


CASCAD CONTROL



BOLT CONTROLLER

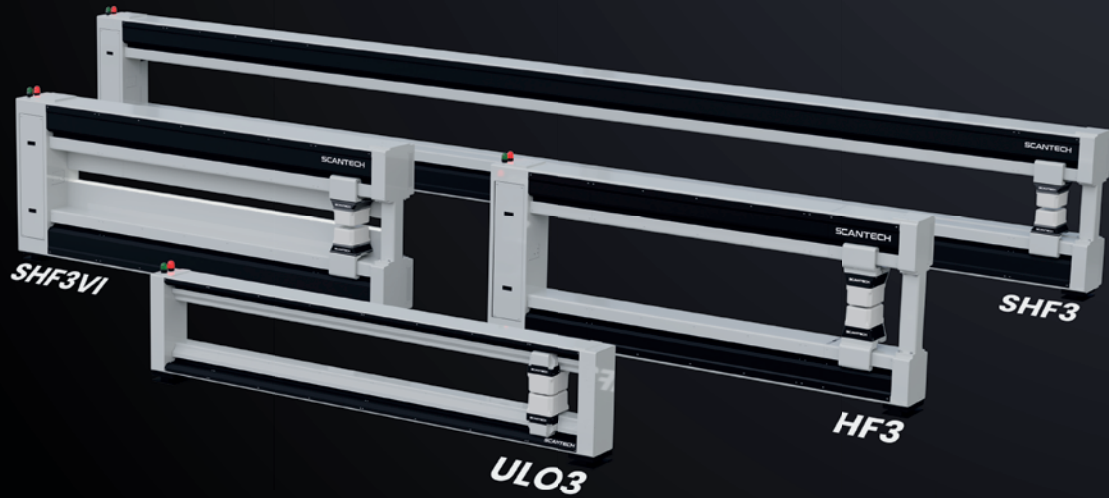
Power & Temperature control up to 360 bolts



MACHINE DIRECTION CONTROL

BIAX SCANNERS

Powerhouse performance



FROM 500 mm TO 15000 mm

BIAX FILM FEATURES



True Thickness



Porosity



TDO Stretch Profile



Edge Profile



Defect Detection



Filler: CaCO_3 | TiO_2 | BaSO_4

FX FLEXSCAN

OPC UA

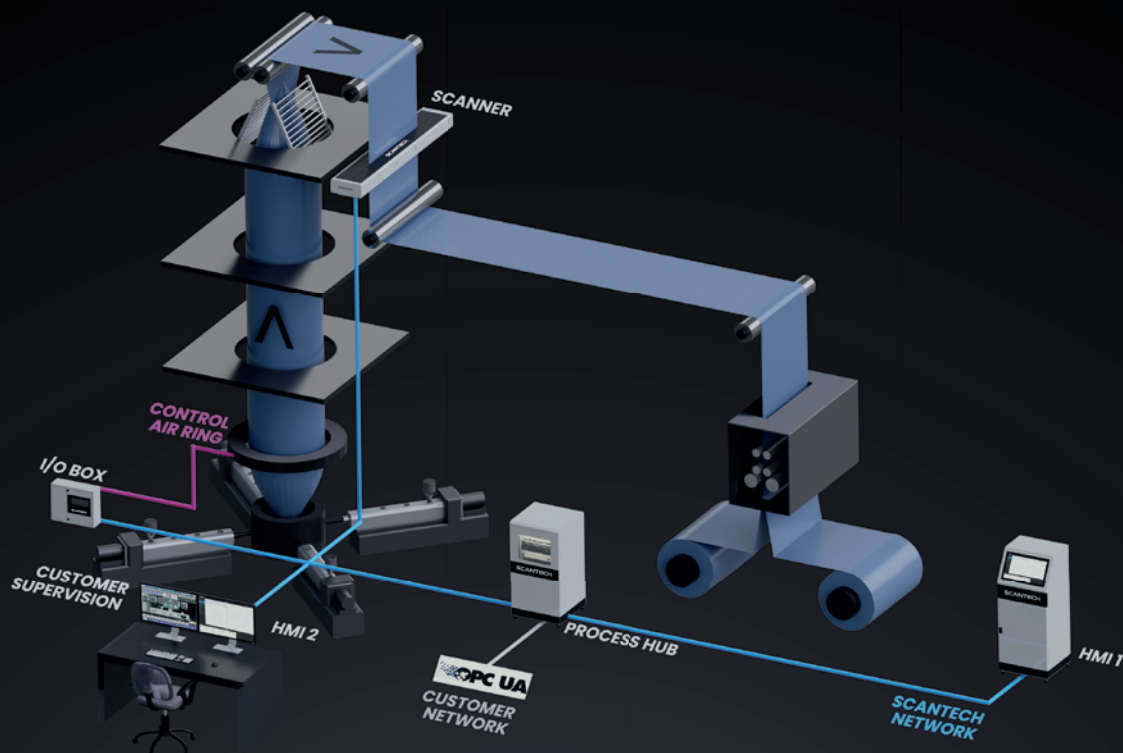
INDUSTRY 4.0

Bolt representation and automatic die control



BLOWN FILM

FASTER AND MORE ACCURATE



CONTROL



ACCURATE



FAST

1 profile every 30 seconds



AUTO MAPPING

APC - Auto Profile Control

INDIVIDUAL WINDER REPORTS



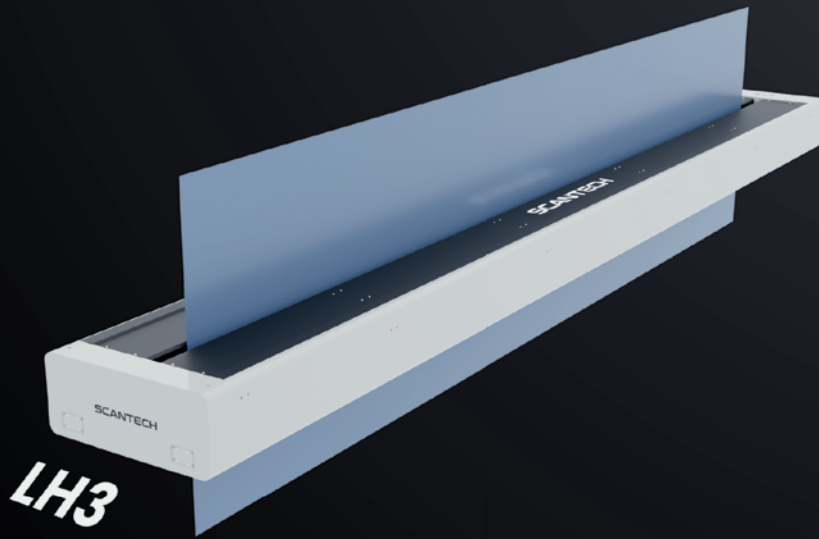
INDIVIDUAL REPORTS



INDIVIDUAL POLAR
COLOR MAPS

LH3 | HH3

Extremely compact design



AVAILABLE WIDTHS:

LH3 FROM 500 mm TO 3500 mm | HH3 FROM 3500 mm TO 7000 mm

BLOWN FILM MEASUREMENTS



Thickness



Barrier Layer



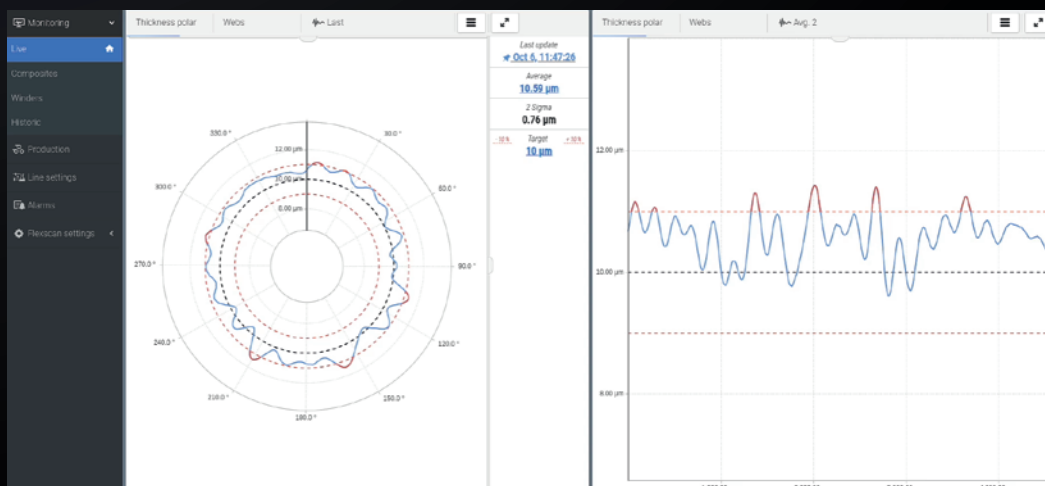
Filler: CaCO_3 | TiO_2 | BaSO_4

FX FLEXSCAN

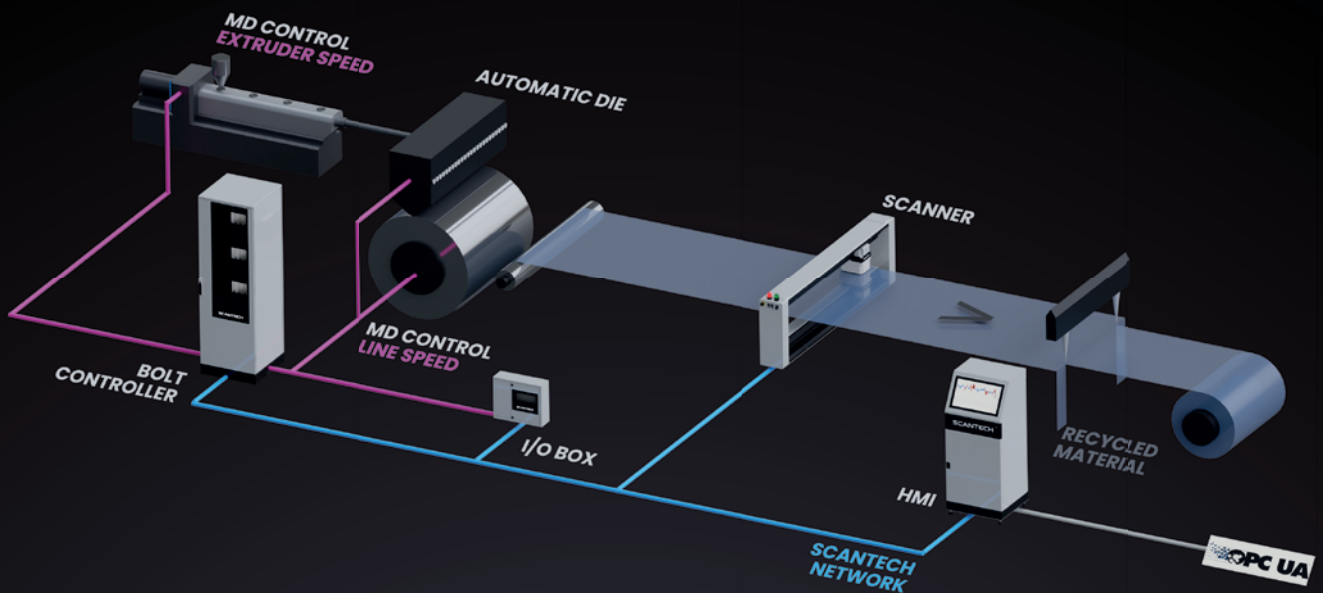
CPC UA

INDUSTRY 4.0

Interactive graphical representation of a polar profile



CAST FILM



CONTROL

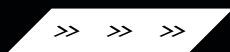


AUTO MAPPING

APC - Auto Profile Control



MELT FLOW MODEL



MACHINE DIRECTION CONTROL

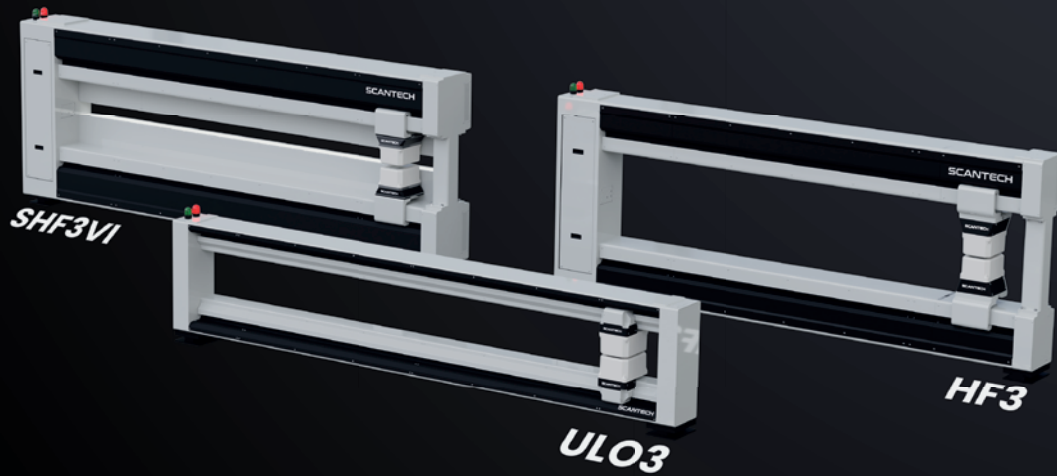


BOLT CONTROLLER

Power & Temperature
control up to 360 bolts

ULO3 | HF3 | SHF3VI

A combination of measurement solutions



AVAILABLE WIDTHS:

ULO3 FROM 500 mm TO 3500 mm | HF3 FROM 500 mm TO 11500 mm

SHF3+VI FROM 500 mm TO 15000 mm

CAST FILMS FEATURES



Thickness



Barrier Layer



Density



Defect
Detection



Filler: CaCo_3 | TiO_2 | BaSo_4

FX FLEXSCAN

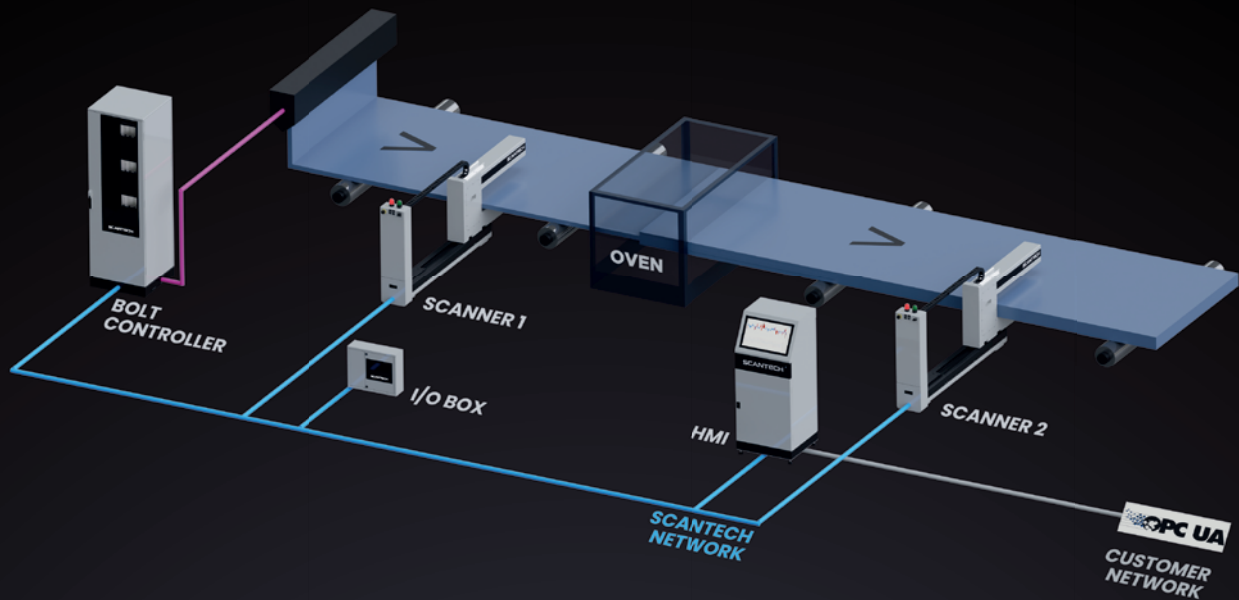
CPC UA

INDUSTRY 4.0

Bolt representation and automatic die control



FOAM



LINE CONTROLS

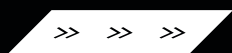


AUTO MAPPING

APC - Auto Profile Control



EXTRUSION CONTROL



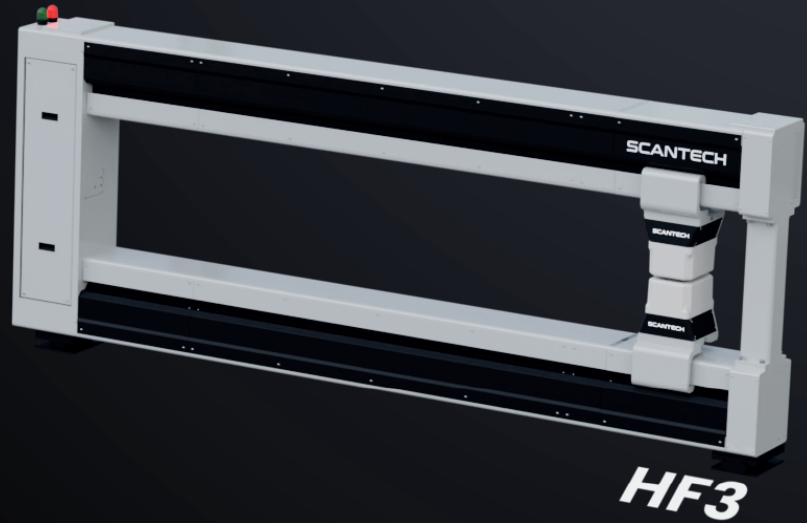
MACHINE DIRECTION CONTROL



BOLT CONTROLLER

Power & Temperature
control up to 360 bolts

SC3 | HF3



AVAILABLE WIDTHS:

SC3 FROM 500 mm TO 2000 mm | HF3 FROM 500 mm TO 11500 mm

FOAM FEATURES



Thickness



Basis Weight



Density



Defect Detection

FX FLEXSCAN

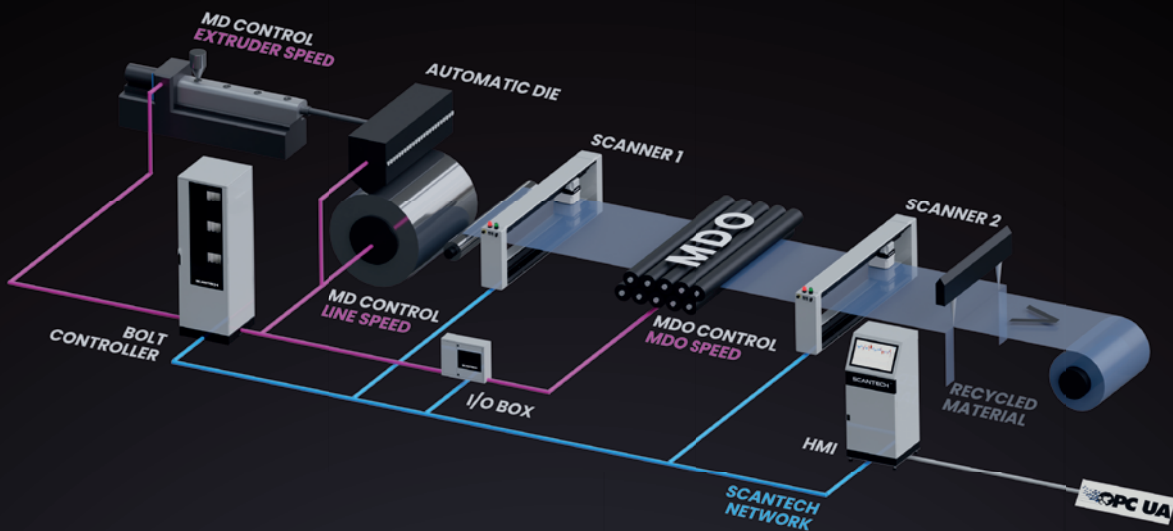
CPC UA

INDUSTRY 4.0

Representation of 3 measurements: thickness, basis weight and density



MDO FILM



CONTROL



AUTO MAPPING

APC - Auto Profile Control



MELT FLOW MODEL



BOLT CONTROLLER

Power & Temperature control up to 360 bolts



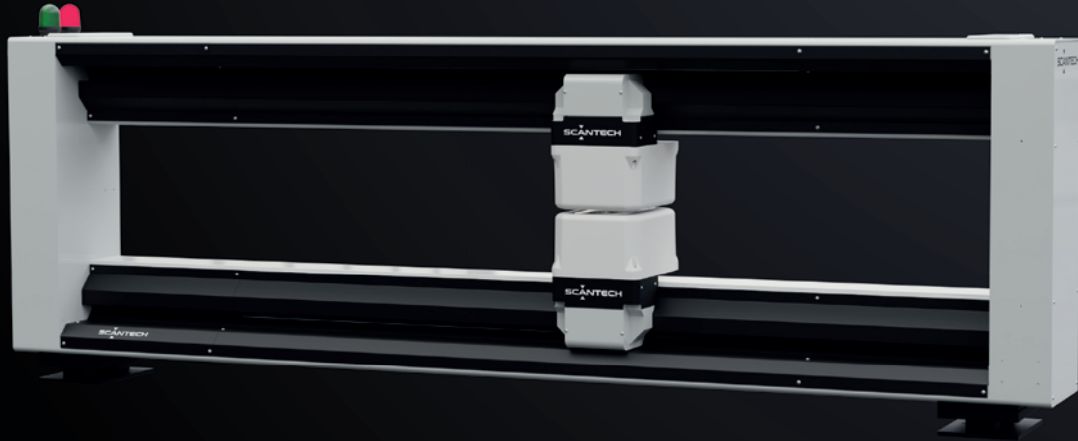
MACHINE DIRECTION CONTROL



SAME SPOT

ULO3

A combination of measurement solutions



AVAILABLE WIDTHS: FROM 500 mm TO 3500 mm

MDO FILM MEASUREMENTS



Thickness



Barrier Layer



Density



Defect Detection



Porosity



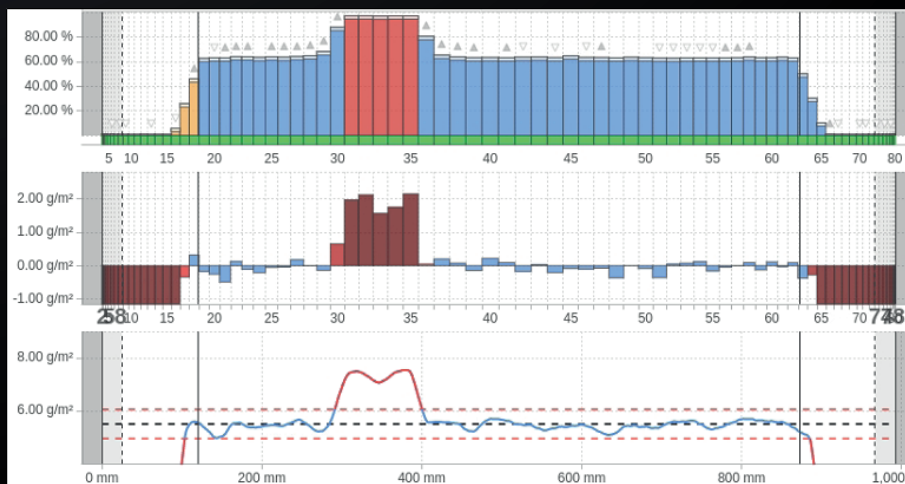
Filler
CaCO₃ | TiO₂ | BaSO₄

FX FLEXSCAN

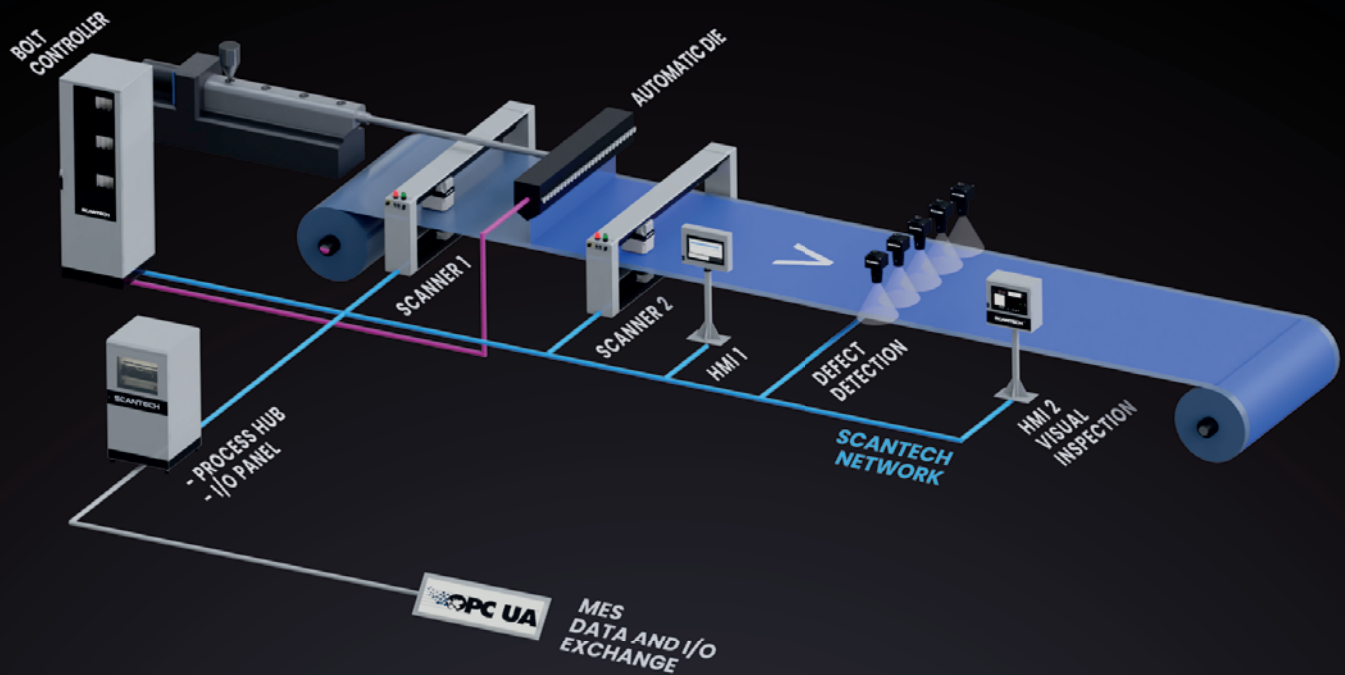
CPC UA

INDUSTRY 4.0

Bolt representation and automatic die control



EXTRUSION COATING



CONTROL



AUTO MAPPING

APC - Auto Profile Control

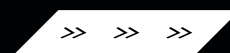


SAME SPOT



BOLT CONTROLLER

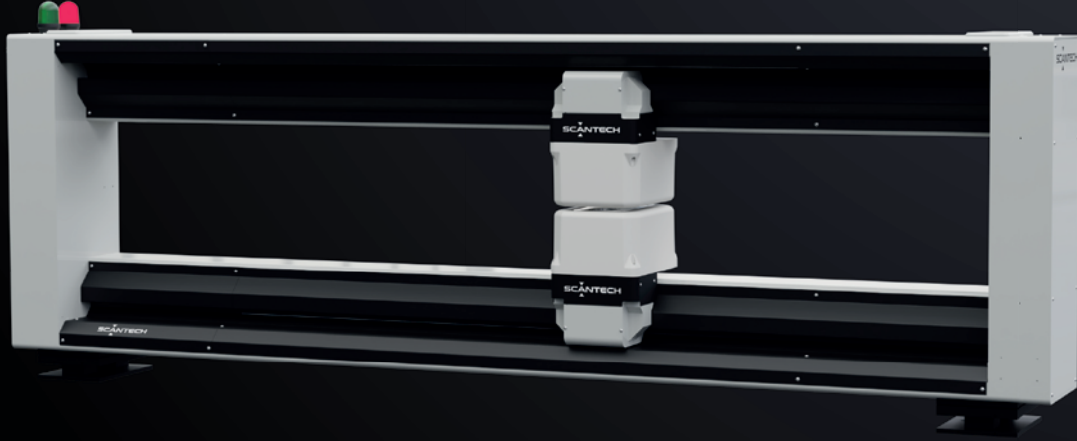
Power & Temperature control up to 360 bolts



MACHINE DIRECTION CONTROL

ULO3

A combination of measurement solutions



AVAILABLE WIDTHS: FROM 500 mm TO 3500 mm

EXTRUSION COATING FEATURES



Coating Thickness



Defect Detection

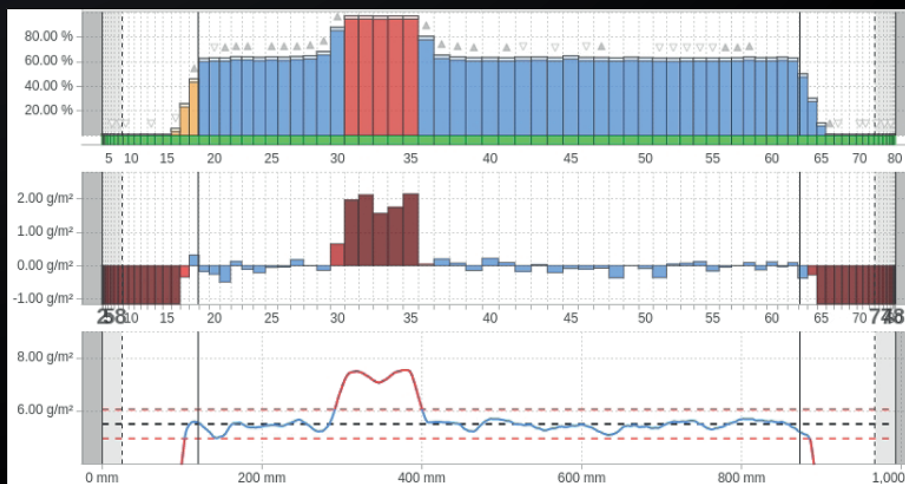


Differential Deduction

FX FLEXSCAN

CPC UA | INDUSTRY 4.0

Bolt representation and automatic die control





A WORLDWIDE GROUP



FRANCE – HEADQUARTERS

Scantech S.A.S
Bâtiment Andromède
108 Avenue du Lac Léman
Savoie Technolac
73290 La Motte Servolex
France
+33 (0)4 79 25 05 25



GERMANY – SUBSIDIARY

Scantech Germany GMBH
Rennweg 60
D - 56626 Andernach
Germany
+49 2632 / 95 89 470



CHINA – SUBSIDIARIES

Scantech Guangzhou
101/201, Building 2, No.10,
Hefeng Yi Jie,
Huangpu District,
Guangzhou,
511356 China
+86 20 3216 5036

Scantech Taiwan Co. Ltd.
No. 173, Fu 5th St.,
Qidu Dist.,
Keelung City,
20648,
+886-2-24523175



AMERICAS – SUBSIDIARY

Scantech Americas, Inc.
8637 Grovemont Circle
Gaithersburg, MD 20877
USA
+1 301 990 9201



ITALY – SUBSIDIARY

Scantech Italy S.R.L
Via F. Petrarca, 35
50041 Calenzano (FI)
Italy
+39 055 4564399



INDIA – SUBSIDIARY

Scantech India
PAP A-9/3/3, PHASE 4 CHAKAN MIDC, POST
NIGHOJE, KHED PUNE-410501
Pune
Maharashtra
410501
India
+91 8983007016



SOUTH KOREA – SUBSIDIARY

Scantech Korea
#1808, 6 Samseong-ro 96-gil,
Gangnam-gu,
Seoul, 06168
Korea
+82 (0)70 8842 3889



MALAYSIA – SUBSIDIARY

Scantech South East Asia SDN BHD
B-G,29,
BLOCK B,
JALAN PIU IA/3J,
TAIPAN I,
Ara Damamsra,
47301 Petaling Jaya,
Selangor Darul Ehsan
Malaysia
+6019 355 9395