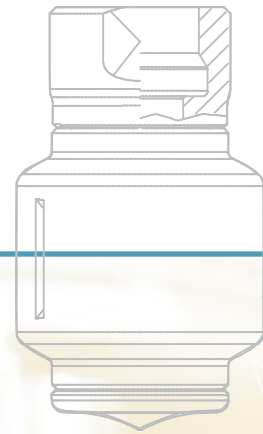


ENGINEERING
YOUR SPRAY SOLUTION



PRECISION SPRAY NOZZLES FOR THE FOOD AND BEVERAGE INDUSTRY

GENERAL INDUSTRY



LECHLER – YOUR COMPETENT NOZZLE TECHNOLOGY PARTNER

The food and beverage industry is facing enormous challenges. To offer consumers a more extensive product range improved processes are required. At the same time, increasingly strict hygiene regulations and increasing rationalisation pressure are demanding highly efficient and safe processes.



Lechler develops and manufactures precision nozzles for various applications. For this we can fall back on all the experience of our 140-year history. The extensive knowledge of nozzles among our 750-strong workforce and a deep understanding of typical industry processes

mean that we have been at the forefront of innovation in nozzle technology for many years.

Today, Lechler manufactures nozzles in Germany, England, Hungary, India, China and the USA. But despite this international alignment, at our heart

we remain a Swabian family company with the typical passion for precision, innovation and the drive to always become that little bit better.

Other subsidiary companies plus more than 40 representative offices round off our global sales network.

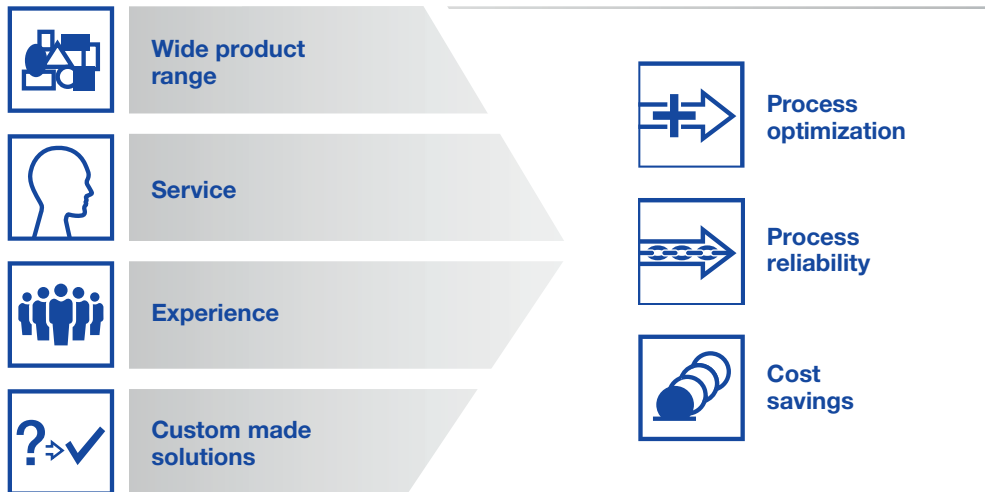


WIDE RANGE OF SERVICES FOR YOUR SUCCESS

ENGINEERING
YOUR SPRAY SOLUTION



**CUSTOMER
ADVANTAGES**



Nozzles for the food and beverage industry

In this brochure we have compiled for you an overview of our tried-and-tested nozzles for the food and beverage industry.

If you cannot find a suitable solution for your particular job, please contact us. Our applications engineers would be happy to develop the optimum solution for your needs.

We will support you with our solutions right along the process chain:

-  **Disinfection and hygiene**
-  **Product provision**
-  **Product treatment**
-  **Filling and packing**

Thanks to our detailed knowledge of the individual process steps, we are also able to offer you advice on an individual basis and work out custom solutions for you.

You will find more information, ideas and tools for using nozzle technology and spraying technology at www.lechler.de.

CONTENT	Page
Applications	4
Disinfection and hygiene	5
Product provision	6–7
Product treatment	8–9
Filling and packing	10–11
Planning criteria	12–17
Products	
Tank cleaning nozzles	18–43
Pneumatic atomizing nozzles	44–50
Hollow cone nozzles	51–54
Full cone nozzles	55–61
Flat fan nozzles	62–76
Solid stream nozzles	77
Air nozzles	78–81
Accessories	82–84
VarioSpray	85–86
Other nozzles	87–88
Online Service	89



LECHLER NOZZLES ARE USED IN MANY FIELDS IN THE FOOD AND BEVERAGE INDUSTRY



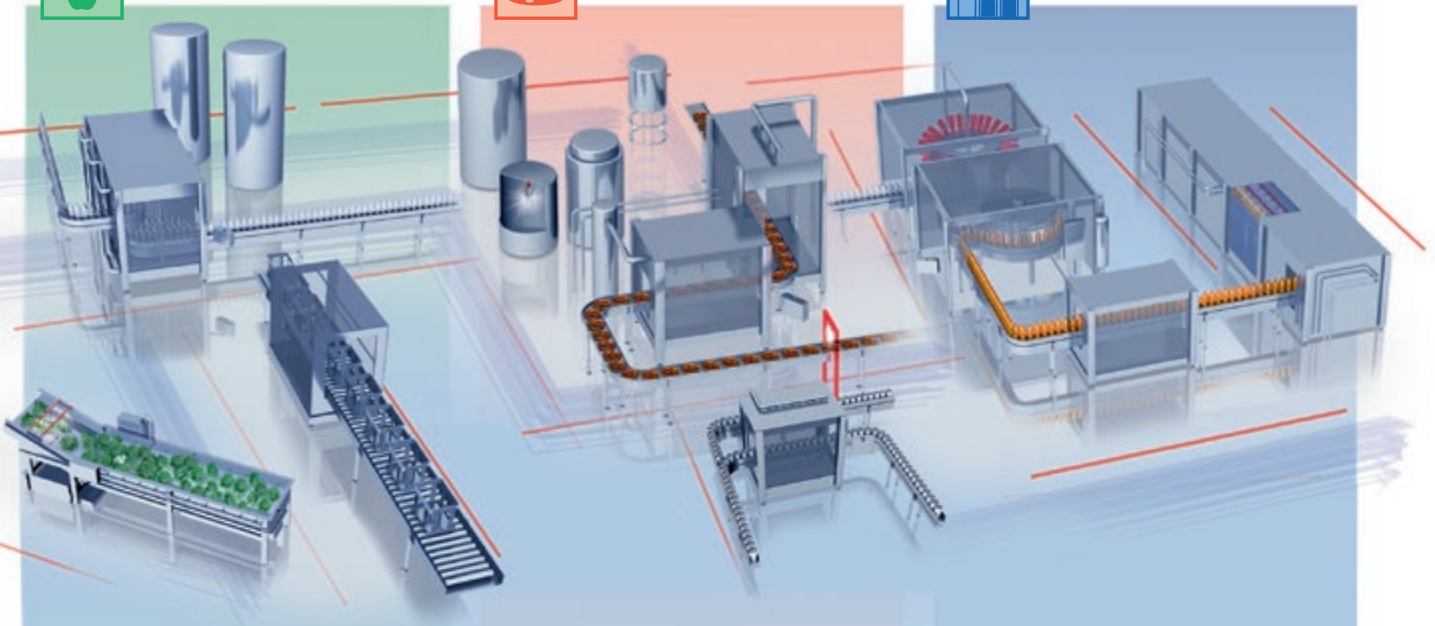
Product provision



Product treatment



Filling and packing



Tank cleaning/CIP

Belt lubrication

Belt cleaning

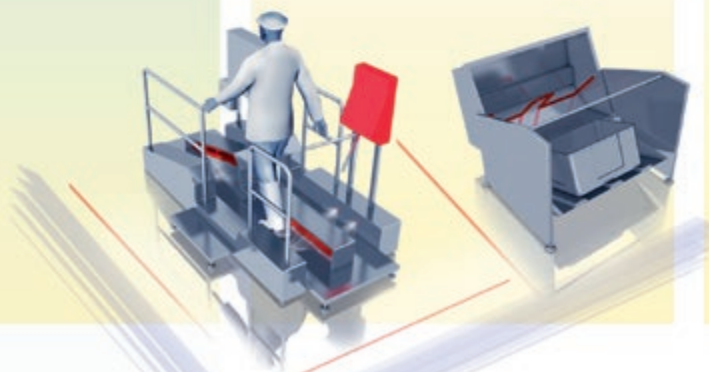
- Container washers
- Cleaning of fruit and vegetables
- Pretreatment of equipment
- Humidification
- Bottle and barrel cleaning
- Filter cleaning

- Product cleaning
- Release agent spray deposition
- Dosing
- Coating
- Degassing of liquids
- Concentrating
- Belt cooling
- Spray drying

- Filler cleaning
- Pasteurisation
- Sterilization
- Sorting cans and bottles
- Sorting with air
- Anti-scuffing
- PET bottle cooling



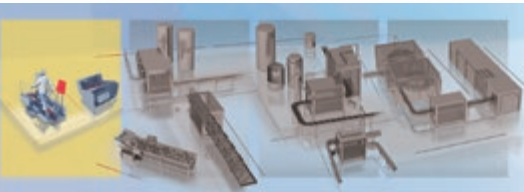
Disinfection and hygiene



- Disinfection
- Hand disinfection
- Boot disinfection
- Room disinfection
- Work sluices



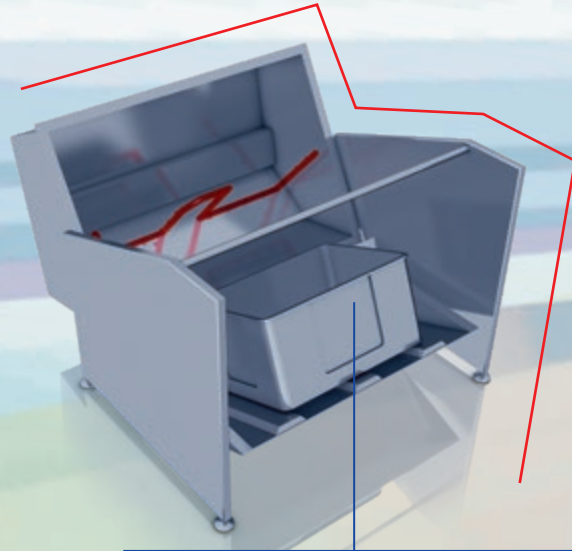
LECHLER NOZZLES FOR DISINFECTION AND HYGIENE APPLICATIONS



Hand disinfection

Hygiene sluices are a fundamental element of production that is as free from germs as possible.

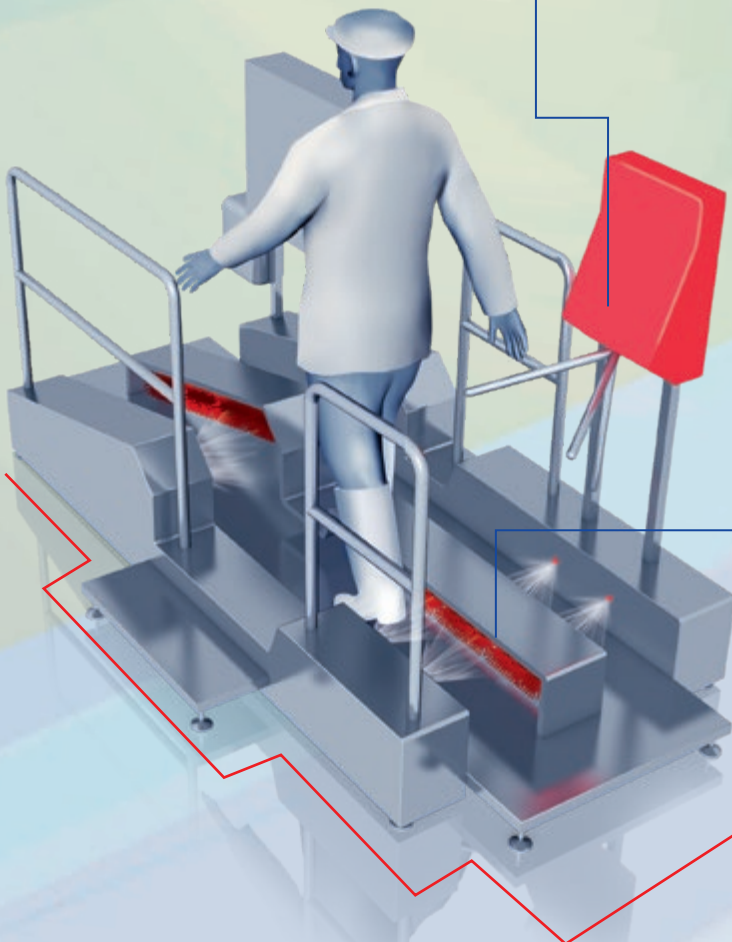
Hollow cone nozzles atomize disinfectants very finely and thereby ensure wide surface coverage and high disinfectant efficiency.



Work equipment disinfection

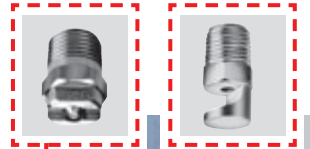
Short throughput times are needed when cleaning and disinfecting trolleys and containers for production.

Flat fan nozzles with a high spray force are the first choice for that job.



Sole and boot cleaning

These systems are mostly linked in combination with hand disinfectant systems. For cleaning the brushes and spraying with new disinfectant, we recommend our **series 632 and 686 flat fan or tongue-type nozzles**.

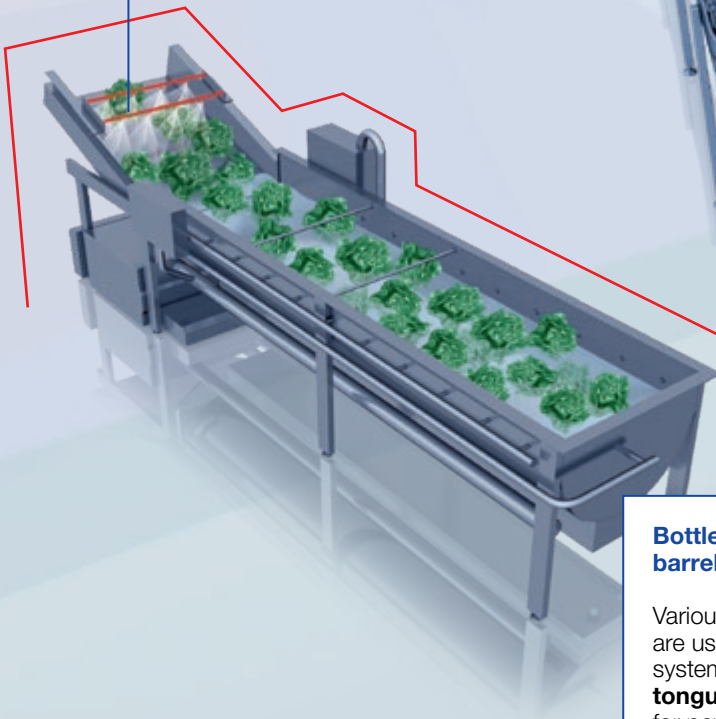
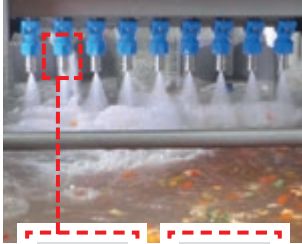




LECHLER NOZZLES FOR PRODUCT PROVISION APPLICATIONS

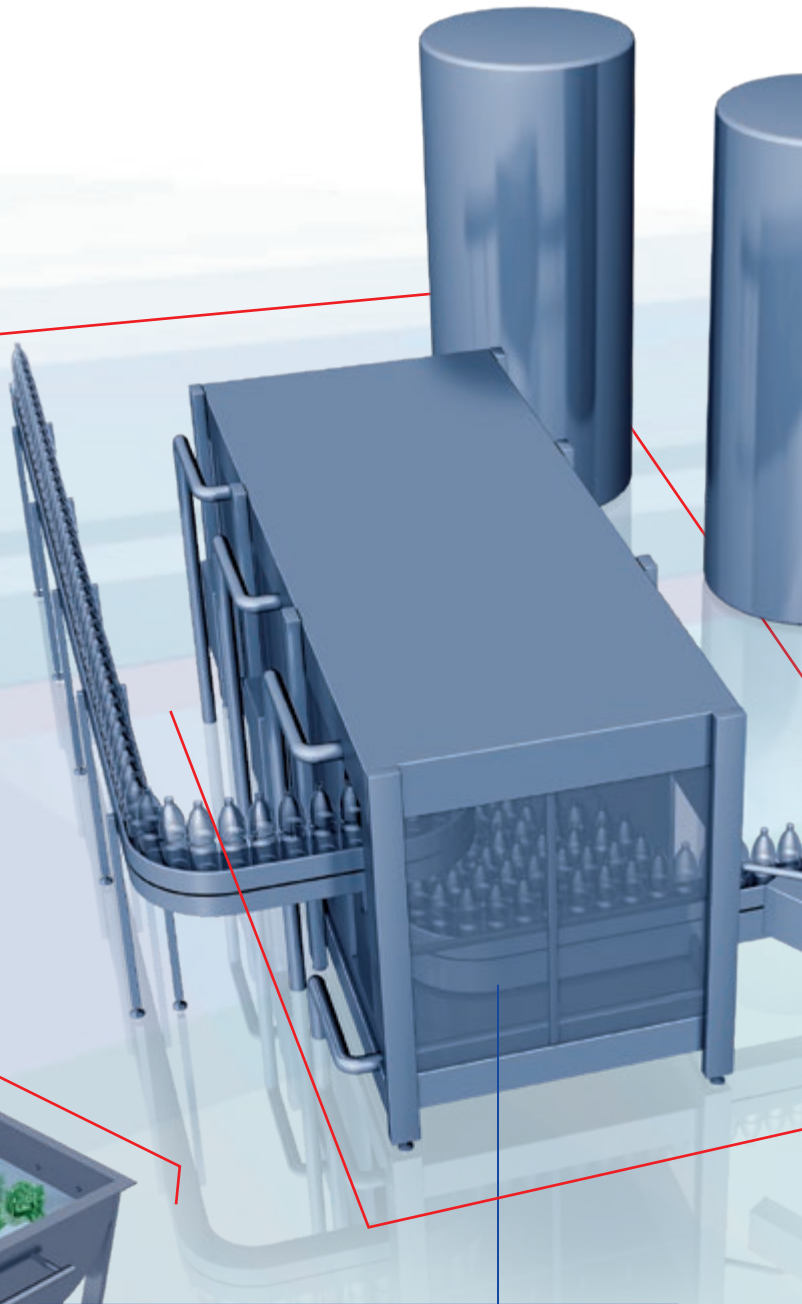
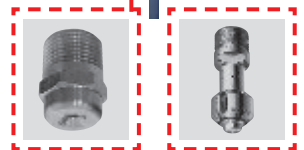
Cleaning of fruit and vegetables

Series 468 full cone nozzles with a 60° spray angle clean cut fruit and vegetables. Simple assembly via an eyelet clamp with bayonet quick release enables the quick exchange of nozzles.



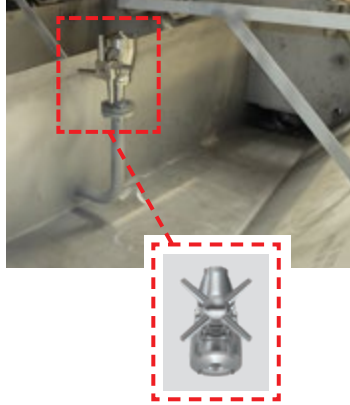
Bottle and barrel cleaning

Various types of nozzles are used in these systems. **Flat fan** and **tongue-type nozzles** for powerful cleaning of heavy soil. **Full cone nozzles** for rinsing and **tank cleaning nozzles** for cleaning the insides of barrels.



Machine cleaning and tank cleaning

High impact tank cleaning machines and **tank cleaning nozzles** with controlled rotation speed were specially developed for tackling very heavy soil. The example shows the **high impact tank cleaning machine 5TM** in a bottle washing machine.

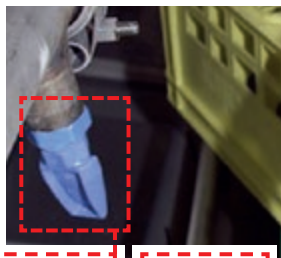


Other nozzle applications in the product provision field

- Humidification
- Filter cleaning
- Foam suppression
- Animal carcass cleaning
- Drum and plate washing systems e.g. for cleaning fish
- Cleaning, lubricating cutting knives, belts and other equipment.
- Sorting procedures with air
- Blowing off surfaces with air

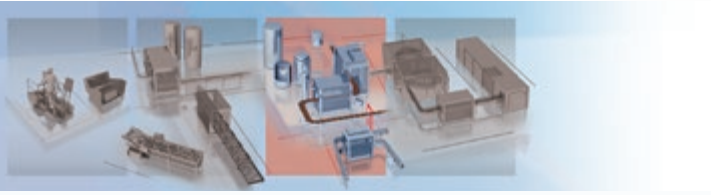
Pack washers

In most cases, cleaning is performed with a mixture of immersion baths and spraying stations. The preferred option for the latter is **flat fan nozzles**. **Tongue-type nozzles** produce a particularly powerful flat fan at low pressure.



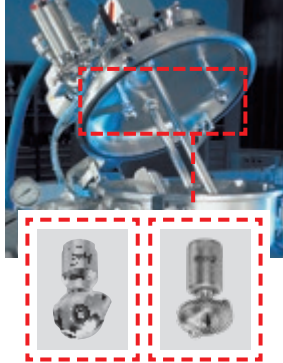


LECHLER NOZZLES FOR PRODUCT TREATMENT APPLICATIONS



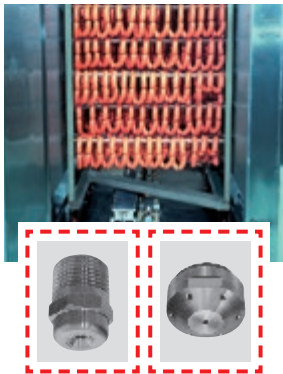
Tank cleaning

Optimum tank cleaning requires targeted harmonization with the respective application. Lechler offers a wide range of **rotating nozzles** and will support you in finding the right arrangement.



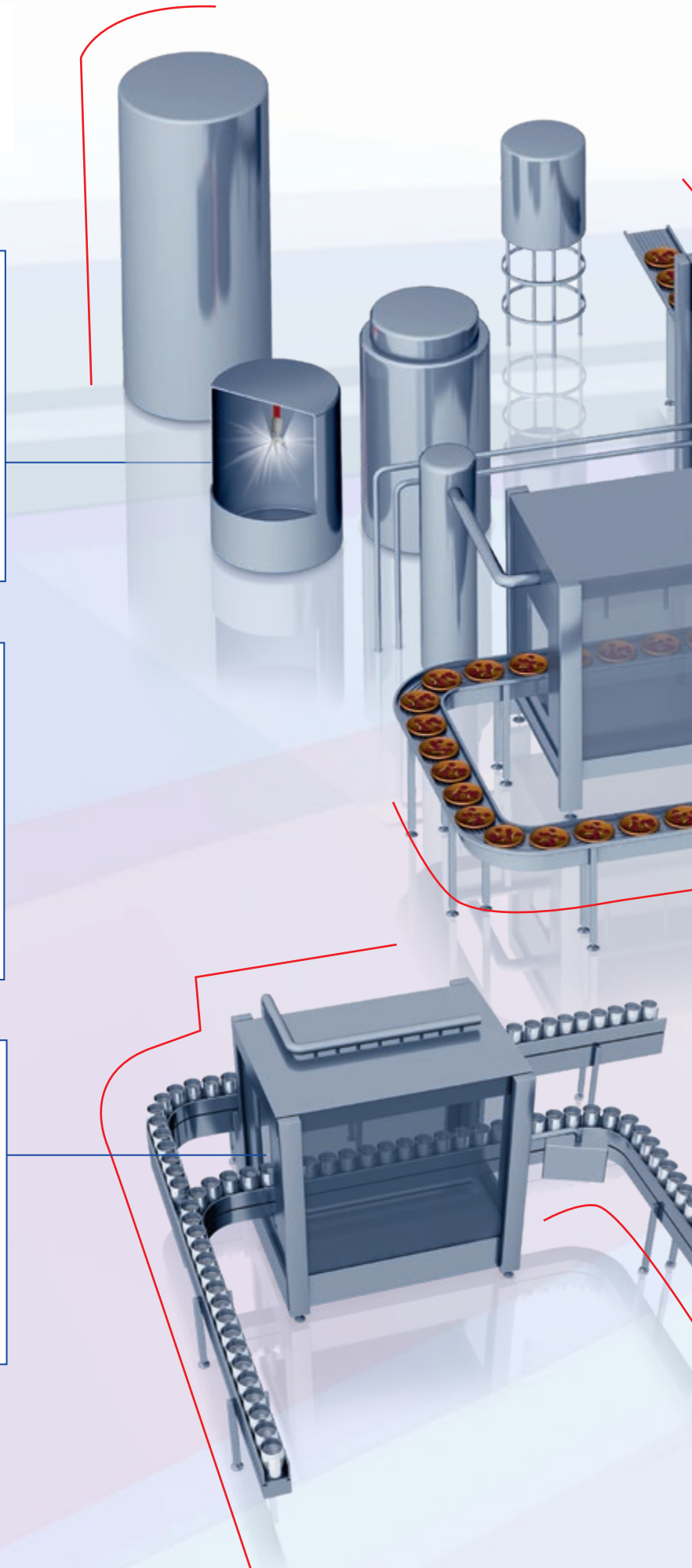
Sausage cooling

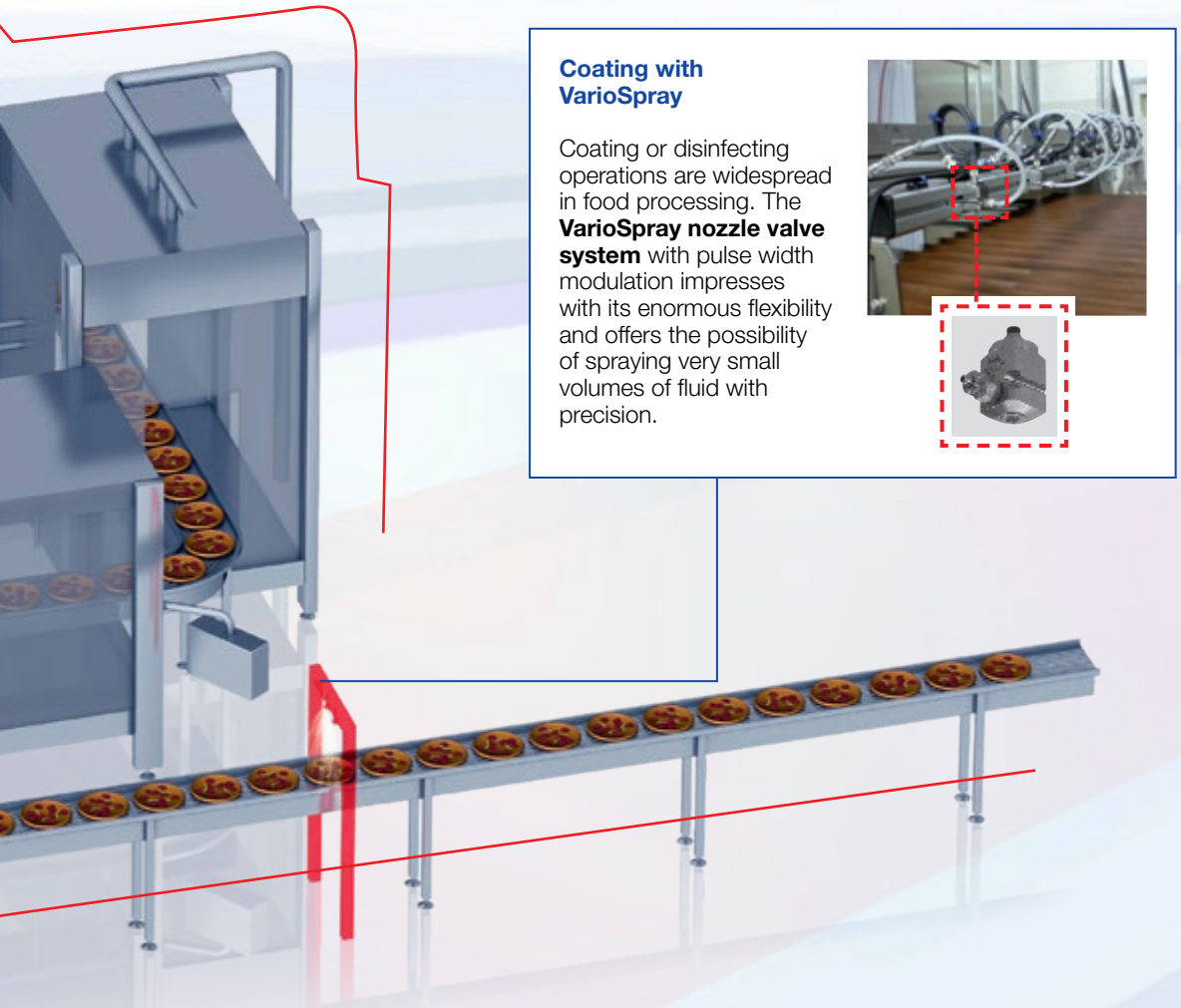
In the meat-processing industry, sausage products are cooled by means of sausage showers. **Full cone nozzles** or **cluster head nozzles** are frequently used for that.



Can cleaning

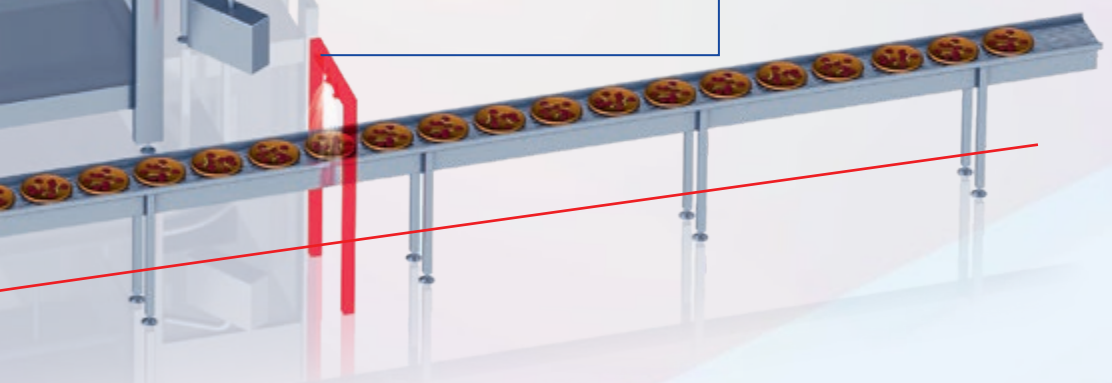
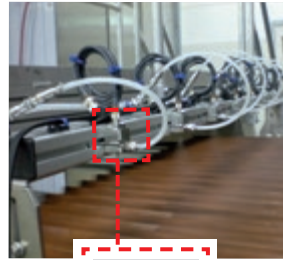
Before the foodstuffs are transferred, the cans must be disinfected on both the outside and inside. **Flat fan nozzles** and **full cone nozzles** can be used for this.





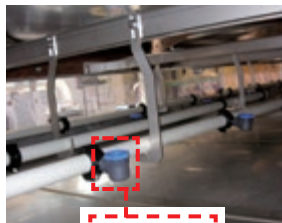
Coating with VarioSpray

Coating or disinfecting operations are widespread in food processing. The **VarioSpray nozzle valve system** with pulse width modulation impresses with its enormous flexibility and offers the possibility of spraying very small volumes of fluid with precision.



Belt cooling

With belt cooling, the product (e.g. rissoles) is transported on a belt. The underside of the belt is sprayed with water or a coolant. Due to the fine droplets, **hollow cone nozzles** are often used for this process.



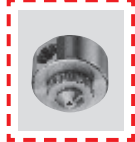
Other nozzle applications in the product treatment field

- Product cleaning
- Dosing
- Concentrating
- Degassing of liquids
- Release agent spray deposition
- Spray drying
- Blanching of vegetables
- Sugar production
- Tobacco processing



LECHLER NOZZLES FOR FILLING AND PACKING

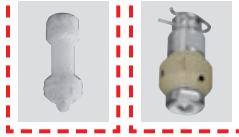
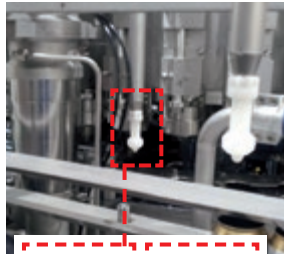
Sterilisation



Disinfection is a central step in the production of food and beverage. The example shows **series 136 pneumatic atomizing nozzles** for the internal disinfection of PET bottles.

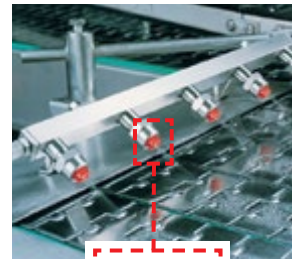
Filler cleaning

Filling machines are cleaned regularly via a permanently installed nozzle system. For this job, Lechler supplies various **rotating cleaning nozzles** and **hygienically designed nozzles** with FDA approval.



Belt lubrication

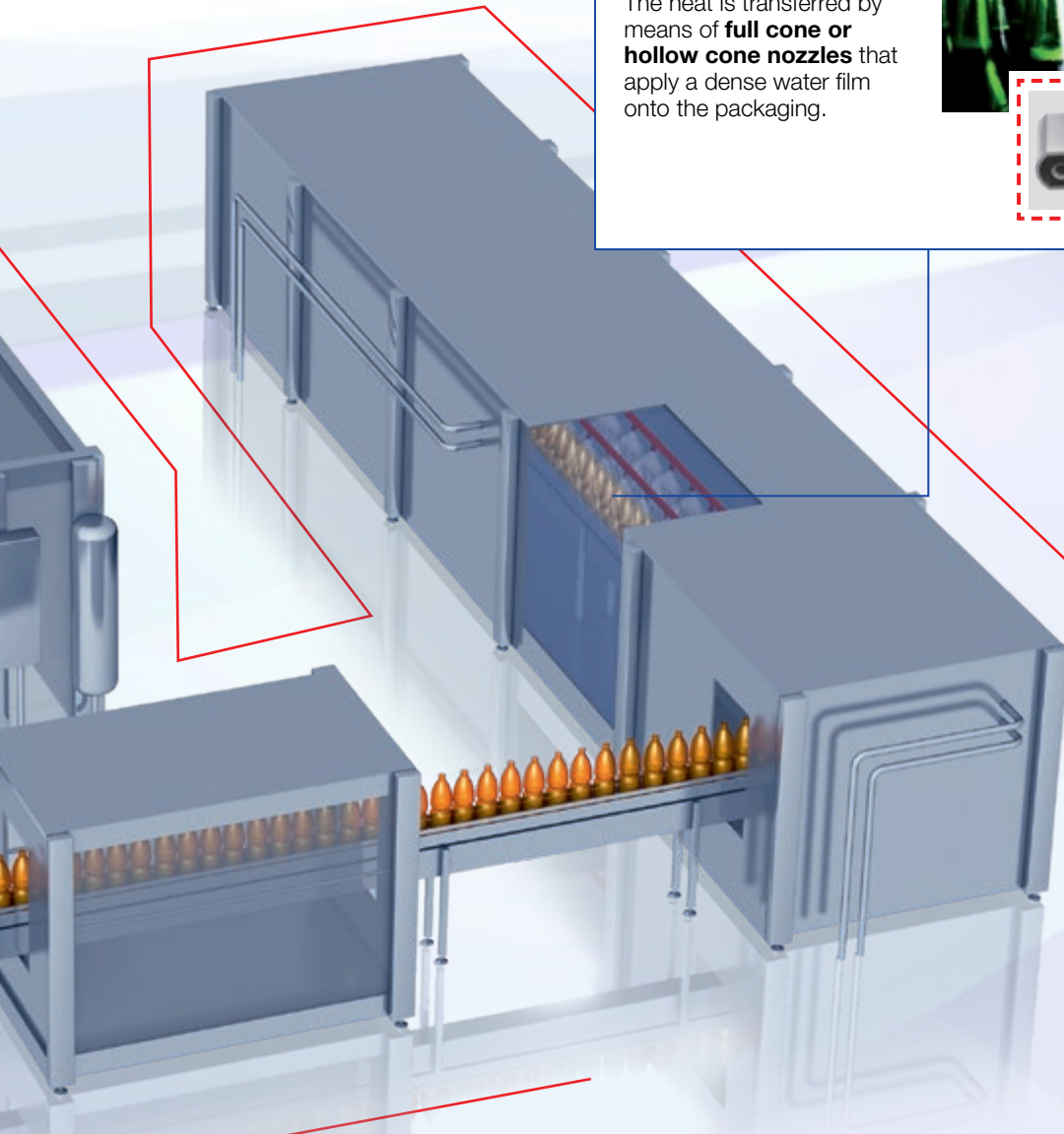
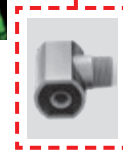
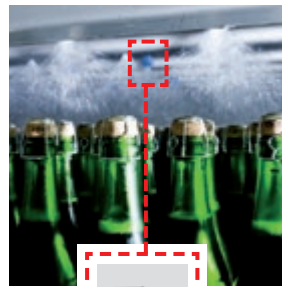
This term refers to spraying a soapy solution, known as the belt lubricant, onto the conveyor belt in order to reduce the friction coefficient. Special **series 652 xxx. 8H.03 flat fan nozzles** are used for this.



Pasteurisation

One of the final production stages is the targeted heating of the product in a pasteuriser.

The heat is transferred by means of **full cone or hollow cone nozzles** that apply a dense water film onto the packaging.



Other applications in the filling and packing field

- Rinsing of bottles
- Anti-scuffing
- Cooling and moistening bread
- Release agent application
- Drying labels and bottles
- Sorting cans and bottles
- Sorting with air
- PET bottle cooling

Air nozzles

There are numerous applications in which **Lechler air nozzles**, such as the **Whisperblast® series**, are preferred due to the low level of noise produced compared to the standard **air nozzles**.

In the example on the right, **Whisperblast® nozzles** are being used for drying the seal so that the subsequent marking is not smudged.



WHAT YOU SHOULD KEEP IN MIND WHEN PLANNING

① The fundamentals of cleaning technology

Sinner's circle

Cost reduction by efficient cleaning processes

② Mechanical cleaning effects with Lechler rotating cleaning nozzles

Mechanical cleaning

Comparison of rotating cleaning nozzles and static spray balls

③ Influence of chemistry and temperature

Foam cleaning with nozzles

④ Impact

Surface and spray angle

Pressure

Flow rate

⑤ Spray angle, spraying distance, spraying behaviour

⑥ Viscosity

⑦ Droplet sizes

⑧ Liquid distribution

⑨ Temperature behaviour of nozzle materials

⑩ Narrowest cross section

⑪ Connections

⑫ Materials

⑬ Hygiene requirements

⑭ Nozzle wear, material certificates and ATEX

① The fundamentals of cleaning technology

Sinner's circle

The Sinner's circle illustrates the interplay between the four main factors for successful cleaning:

- Chemistry (choice of cleaning agent)
- Mechanical (removal of soil via pressure or friction)
- Temperature (at which cleaning is performed)
- Time (duration of the total cleaning processes)

The proportion of the individual factors as a part of the entire cleaning can be varied, provided that the total is 100 per cent. This results in significant savings potentials.

As a result, the intensification of mechanical cleaning enables the consumption of cleaning agents or the duration of cleaning to be reduced. Consequently, the mechanical factor that takes up a greater part of the Sinner's circle, while the other factors can end up being reduced.

Cost reduction by efficient cleaning processes

This is precisely where our nozzles and rotating cleaning nozzles come into play, having been specially developed for delivering a high mechanical cleaning action. Their greater efficiency helps to permanently reduce ongoing costs for energy and cleaning agents, and also the duration of cleaning. Consequently a one-off investment in improved nozzle technology pays for itself after only a short time.

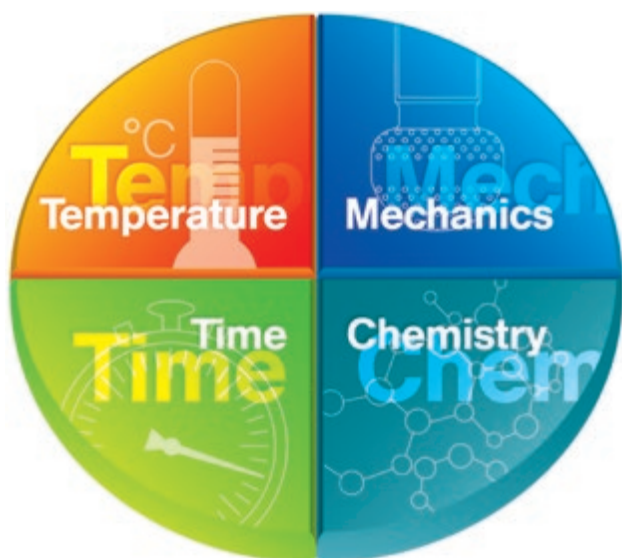


Figure 1: Sinner's circle with equal proportions of the temperature, time, chemistry and mechanical factors.

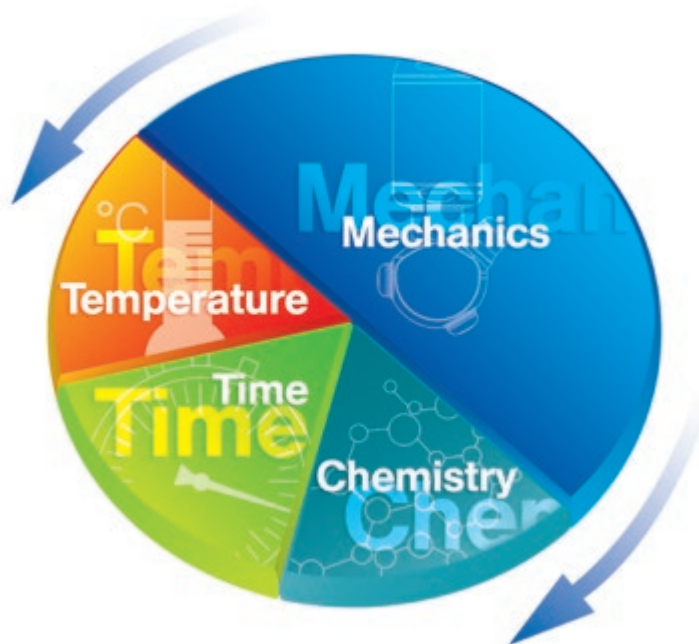


Figure 2: Lechler nozzles and rotating cleaning nozzles have high mechanical cleaning efficiency. This reduces the proportion of the other factors, as well as the resulting costs.

② **Mechanical cleaning effects with Lechler rotating cleaning nozzles**

Mechanical cleaning

Rotating cleaning nozzles deliver the greatest impact when cleaning the surface area of the tank. To achieve this, large droplets must strike at high speed. This enables thick soil to be removed that cannot dissolve in the cleaning fluid. Important influencing factors are the distance between the nozzle and wall, and the operating pressure.

If one of them is too large, the fluid will break down into smaller droplets (see figs. 3 and 4) and the impact will be reduced.

Besides the impact, the fluid running down the tank wall also has a significant cleaning effect. If the formed film is thick enough, the resulting shear stresses can remove light to moderate soil. In that case, unsprayed patches are less of an issue than is the case during impact cleaning (see fig. 5).

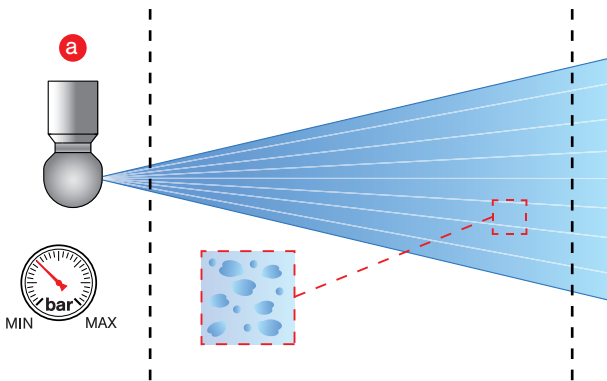


Figure 3: Rotating cleaning nozzles with recommended operating pressure

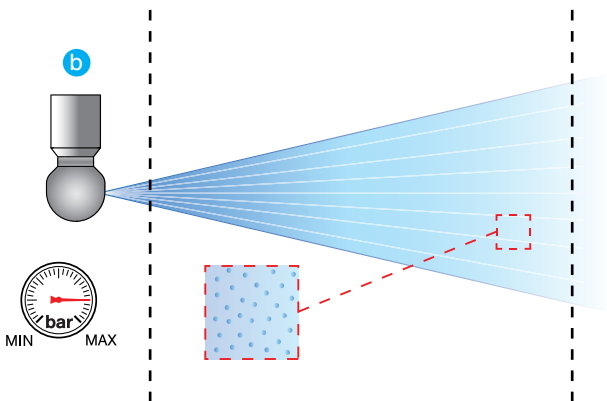


Figure 4: Rotating cleaning nozzles with operating pressure too high

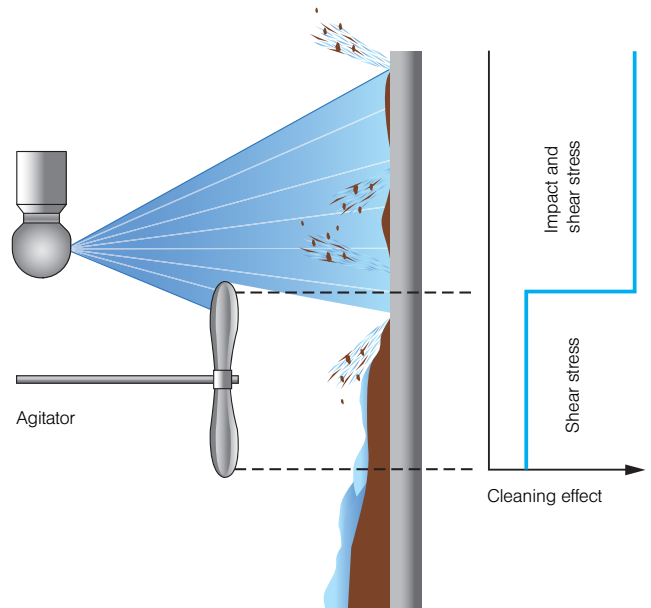


Figure 5: Cleaning mechanisms, impact and shear stress

Comparison of rotating cleaning nozzles and static spray balls

Due to their simple construction, static spray balls are economical and are likely to miss important areas. Whereas rotating cleaning nozzles spray the entire tank wall in a fan-like pattern, the

jets from spray balls strike only in concentrated spots. The remaining surface is simply cleaned by the shear stresses of the fluid running off (see fig. 6). The fluid consumption is therefore significantly greater in comparison with rotating cleaning nozzles.

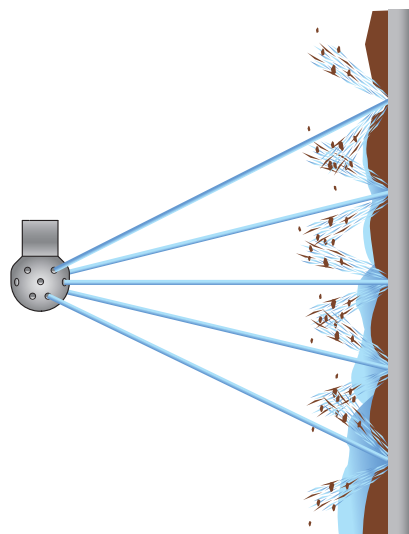


Figure 6: Cleaning with a static spray ball

WHAT YOU SHOULD KEEP IN MIND WHEN PLANNING

③ Influence of chemistry and temperature

The chemical cleaning effect takes part in almost all tank cleaning applications when the soil is dissolved in the cleaning medium or the bonding between soil and tank surface is reduced. Higher temperatures can support the chemical cleaning effect.

Foam cleaning with nozzles

Foam cleaning is primarily based on the chemical cleaning effect. Since the foam sticks more firmly to the surface, it can be more effective than cleaning fluids that drip off quickly. The mechanical cleaning effect plays a correspondingly subordinate role. Here, the task of the nozzle is to distribute the foam evenly. Your end result for this application depends on the type of foam.

④ Impact

The force of impact when using of a liquid jet on a surface plays an important role in cleaning technology. The ratio of the force (F) to the surface (A) is referred to as the Impact (I).

$$I = \frac{\text{Impact force}}{\text{Impact surface}} = \frac{F}{A} \left[\frac{\text{N}}{\text{m}^2} \right]$$

It can be controlled via the following parameters:

Surface and spray angle

The impact surface is the area where the droplet strikes. The smaller the surface area, the greater the impact values. Nozzles with high impact are, for example, solid stream nozzles and flat fan nozzles with a narrow spray angle.

Pressure

The impact increases linear with the connected pressure. If you double the pressure while maintaining the same flow rate, you also double the impact.

Flow rate

Increasing the flow rate by using a larger nozzle increases the impact, assuming that the other parameters (spray angle, pressure and medium) remain the same.

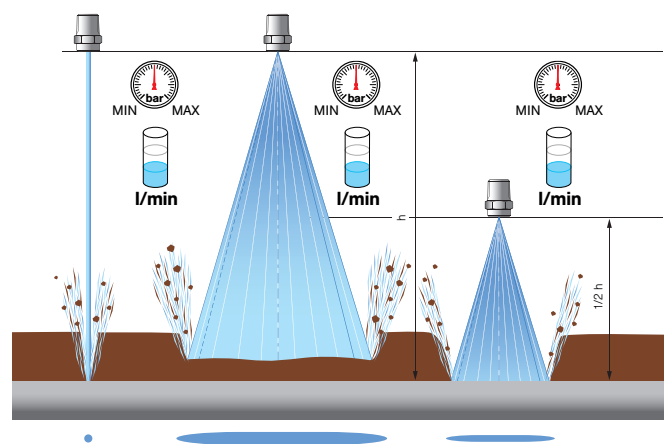


Figure 8: Comparison of the cleaning result of three nozzles with identical pressure and flow rate.



Figure 7: Foam cleaning with a Lechler PVDF MicroWhirly

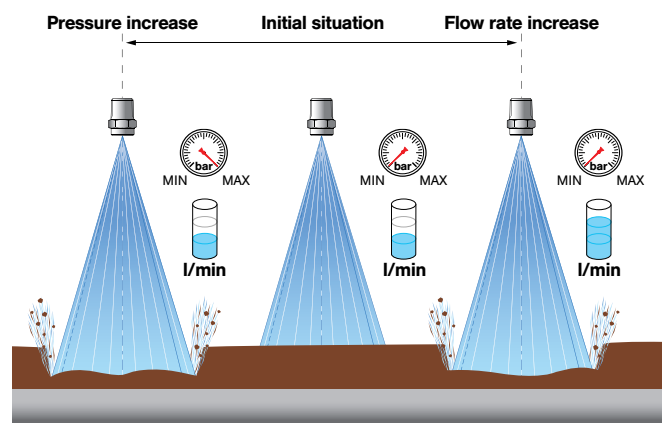


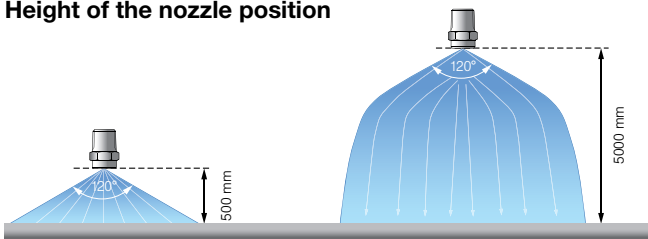
Figure 9: Comparison of the cleaning result of three nozzles with pressure or flow rate increase.

⑤ Spray angle, spraying distance, spraying behaviour

Depending on the version and job, we supply single-fluid nozzles with differently stepped spray angles from 0° (solid stream nozzles) to 360° (tank-cleaning nozzles). The quoted spray angles apply close to the nozzle and in a still atmosphere. Gravity and air flows influence the spray pattern.

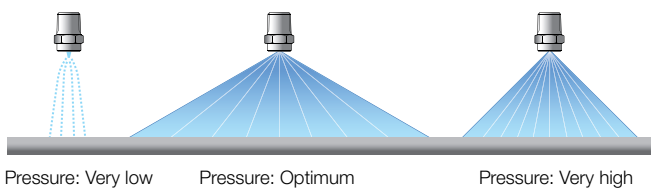
Depending on the version, single-fluid nozzles can spray the fluid as a hollow cone, solid stream or flat fan. The solid stream nozzle does not spray, but rather produces a closed jet that hits at a concentrated point. The jet only begins to break up after some distance. Twin-fluid nozzles have a narrow spray angle of approximately 20° due to the high speed at which the compressible medium exits. However, as the distance from the nozzle increases, the spray pattern becomes increasingly less sharply delimited. Twin-fluid nozzles normally produce full cone or flat fan spray patterns.

Height of the nozzle position



The diagram above illustrates how height influences the spray pattern

Changing the nozzle pressure



Spraying direction

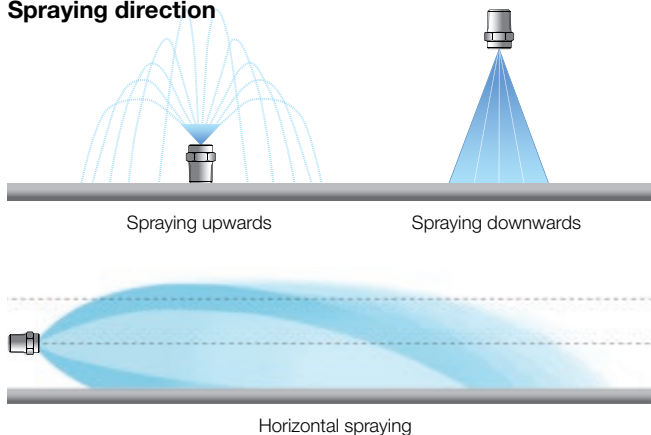


Figure 10: Spray patterns under different working conditions and installations

⑥ Viscosity

Increasing viscosity of the fluid can reduce the flow rate, changes the spray pattern (narrower spraying angle) and allows the droplet spectrum to become coarser.

Depending on the fluid properties, it is possible to counteract this to a certain extent by means of higher pressure. For very viscous substances, it is recommended to use twin-fluid nozzles in most cases. It can also be helpful to take account of the fluid's rheology.

⑦ Droplet sizes

Twin-fluid nozzles can produce very fine to extremely fine droplets. The size depends mainly on the flow rate ratio of the compressible medium used (m³/h) to the atomized fluid (l/min): The greater the ratio, the finer the atomization. In the case of single-fluid nozzles however, the decisive factors are pressure, nozzle type and flow rate across the droplet spectrum. Increasing pressure results in finer atomization, but mostly only up to a certain level.



Figure 11: Atomization of gelatine with a Lechler ViscoMist twin-fluid nozzle



Figure 12: Droplet size measurement-nozzle

Hollow cone nozzles produce very fine to fine droplets at the same pressure and flow rate. Full cone nozzles produce slightly coarser droplet spectrums, and finally flat fan nozzles have the coarsest droplet spectrum.

The following generally applies: Within a series and at a given pressure, nozzles with a lower flow rate produce finer droplet spectrums than nozzles with a higher flow rate.

WHAT YOU SHOULD KEEP IN MIND WHEN PLANNING

⑧ Liquid distribution

An even liquid distribution is crucial to processes such as coating. This requires several nozzles to be arranged next to each other. This is because whereas a single nozzle would produce a parabolic liquid distribution, several nozzles arranged next to each other allows an almost even distribution via overlapping.



Figure 13: Liquid distribution measurement

Measuring the distribution

The liquid distribution in a plane can be determined with the aid of a combination of Plexiglas cylinders. The filling level of the individual cylinders is determined fully automatically. This measuring process can also record the liquid distribution of a nozzle over a moving measuring plane. This enables conveyor belt spraying to be simulated, for example.

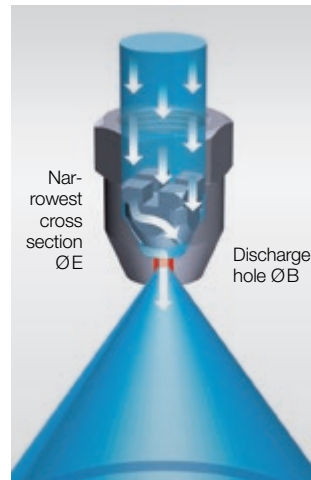
⑨ Temperature behaviour of nozzle materials

Applications with temperatures up to 140 °C are very common. These include for example most cleaning applications and sterilisation processes. Applications with higher temperatures are rare, and applications at very low temperatures are even rarer. The general temperature information from material data sheets must always be scrutinised for every single case of nozzle use. Pressure, mechanical stress type, chemistry and time are decisive factors for the suitability of a nozzle material at increased temperatures. Chemical processes can be more aggressive at high temperatures.

A material may be able to withstand them if this temperature occurs for a very short period only. In all materials, high temperatures result in reduced strength values. The mechanical stress type must therefore also be taken into account in high-pressure applications in particular. In addition, vibrations in the system can cause premature failure.

⑩ Narrowest cross section

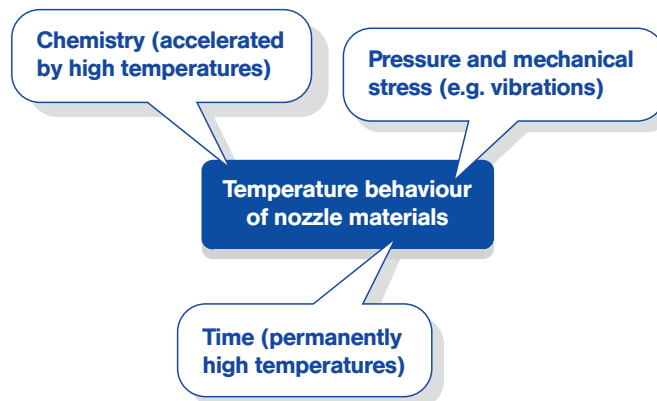
The risk of a nozzle blocking depends greatly on its narrowest cross section ($\varnothing E$). Experience has shown that for smooth operation, the maximum particle size in the fluid should not exceed one third of the narrowest cross section. Hollow cone and full cone nozzles with axial flow have an internal swirl. Hollow cone and full cone nozzles with inflow at the side (tangential or eccentric design) do not need a swirl and are therefore much less prone to blockages. In the field of flat fan nozzles, our tongue-type nozzles represent a special design that is less susceptible to blockages.



⑪ Connections

Nozzles are mainly constructed with the thread standards ISO 228, DIN 2999 (EN 10226-1) and NPT. A distinction is made here between sealing and non-sealing threads. In the case of non-sealing threads, Teflon® strip or a thread paste is used to provide the seal.

Not all nozzles can be connected with a thread. For these we supply flange solutions conforming to the standards DIN 2527, EN 1092-1 and ASME B 16.5. Aseptic clamp connections (Tri-Clamp connections) conforming to the standard DIN 11864-3 are also possible. Whether a connection other than the standard connection is feasible for a nozzle must be decided on an individual case basis.



12 Materials

Lechler tank and equipment cleaning nozzles are made of extremely high-grade materials that are designed to meet high requirements such as resistance to cleaning chemicals or temperature influences. The large choice of different materials – e.g. stainless steel 316L, PVDF, PEEK or PTFE – allows nozzle selection customized to the individual application and operating conditions. In addition, the materials used for the tank and equipment cleaning nozzles are perfectly matched to each other and are thus characterized by very low wear.

The product pages for the individual nozzles provide information on the materials available for the different nozzle types.

In addition to the requirements for material resistance and wear, the materials must also be food grade for use in the beverage, food and pharmaceutical industries. Depending on the application area, the materials must meet different demands.

A large number of the materials used for Lechler tank and equipment cleaning nozzles

comply with the requirements of the FDA or conform to (EC) 1935/2004.

Further information on conformity is provided on the product pages.



The FDA, the U.S. Food & Drug Administration, is a federal agency which monitors

those two industries. Materials used in making Lechler products are compliant with the requirements of FDA regulation 21 CFR for use in food applications.



The regulation (EC) No. 1935/2004 of the European Parliament regulates general safety requirements to all food and beverage contact materials.

Within this regulation, it is additionally stipulated that plastics must comply with (EU) 10/2011.

13 Hygiene requirements

Lechler's tank and equipment cleaning nozzles are designed so that they meet hygiene requirements.

This is reflected, for example, in the self-draining function, minimized dead space in the nozzles as well as an external design without unnecessary gaps and edges. At the same time, the nozzles are designed with the lowest possible surface roughness.

Lechler also offers specially certified nozzles for particular hygiene requirements. The »PTFE Whirly« and 527 series are 3A-certified, for example.



»3-A® Sanitary Symbol Council Administrative Council for Spray Cleaning Devices (78-01)«

The 3-A® council is an organization in the USA that defines criteria for the cleanability of components in the dairy and food industry. Components and systems are examined to establish whether germs adhere to surfaces or existing soiling can be removed.

Components and systems are awarded a »3-A® certificate« only if they are easy to clean

or if soil cannot be deposited in the first place.

14 Nozzle wear, material certificates and ATEX

Nozzle Wear

Nozzle wear depends mainly on the operating conditions.

Like with all rotating parts, the bearing assembly is subjected to the highest amount of stress. The following operating conditions accelerate wear:

- Solids in the fluid and hard particles
- Use in a chemically aggressive environment
- Spraying of chemically aggressive substances
- Operating the nozzle above the recommended pressure range or temperature.

Material certificates

Material certificates in accordance with DIN EN 10204 can be issued on request for almost all Lechler tank and equipment cleaning nozzles.

ATEX

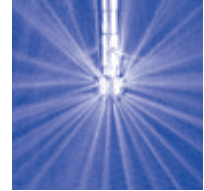


Lechler offers specially designed nozzle series for use in explosive atmospheres. The »MicroWhirly« and »Whirly« series have an ATEX approval that was issued by an external certification institute.

The respective logo on the product pages indicates which requirements are met.



Static spray balls Series 527



- Effective solid jets
- 3A[®] certification

Materials:
316L SS

Max. temperature:
200 °C

Recommended operating pressure:
1.5 bar

Installation:
Operation in every direction possible



Spray angle	Ordering no. Type	E Ø [mm]	V [l/min]					Dimensions approx. [mm]					Max. tank diameter [m]
			p [bar] (p _{max} = 5 bar)					Height H [mm]	Dia- meter D [mm]	B	C	A	
			1	2	3	5	at 40 psi [US gal./ min]						
360°	527.209.1Y.00.75	0.8	42	60	73	95	19	68	32	19.2	3.3	12.7	5.2
	527.289.1Y.01.50	1.1	120	170	208	269	50	116	65	38.3	4.9	25.4	6.0
	527.449.1Y.02.00	1.7	297	420	514	664	127	152	102	51.0	4.9	25.4	8.2

E = narrowest free cross section

The maximum tank diameter shown above applies for the recommended operating pressure and is indicative only. The cleaning result is also affected by the type of soiling.

Slip-on information: - R-clip made of 316L SS is included.
- Depending on diameter of the adapter the flow rate can increase due to leakage between connecting pipe and static spray ball.

In most applications, static spray balls do not deliver the same cleaning power as rotating nozzles, anyway they do have advantages that make them indispensable for certain tasks:

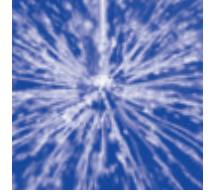
- No moving parts
- Self-draining
- Easy to inspect
- Proven use in hygienically sensitive environments

Should a rotating nozzle stop turning for some reason, parts of the tank may remain uncleaned. This cannot happen with spray balls. However, gaps can occur in the spray pattern if individual openings are blocked with soil.

Compared to rotating nozzles, static spray balls usually need two to three times the amount of liquid.



Static spray balls »RinseClean« Series 5B2/5B3



- Popular spray ball design
- Powerful solid jets

Materials:
316L SS
Pin: 316L SS

Max. temperature:
200 °C

Recommended operating pressure:
2 bar

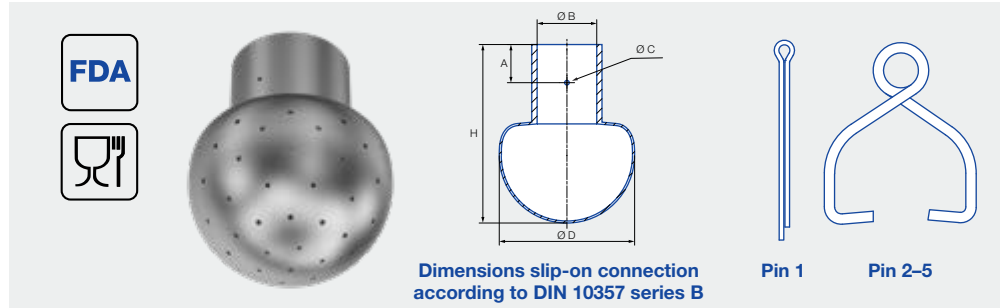
Installation:
Operation in every direction possible

For additional spray balls please refer to our brochure "Precision Spray Nozzles for Tank and Equipment Cleaning"



The maximum tank diameter shown above applies for the recommended operating pressure and is indicative only. The cleaning result is also affected by the type of soiling.

Slip-on information:
– Pin made of 316L SS is included.
– Depending on diameter of the adapter the flow rate can increase due to leakage between connecting pipe and static spray ball.



Spray angle	Ordering no. Type	E Ø [mm]	V̇ [l/min]				Dimensions [mm]							Max. tank diameter [m]
			p [bar] (p _{max} = 5 bar)				Ø D	Height H	Con- nection B	Distance to bore hole A	Ø C	Pin		
			1	2	3	at 40 psi [US gal./ min]								
360°	5B2.879.1Y.D0.80	0.8	11	15	18	4.7	20	37	8.2	9	2.2	1	2.0	
	5B3.089.1Y.D1.20	1.0	35	50	61	15.5	28	42	12.2	9	2.2	1	2.2	
	5B3.139.1Y.D1.20	1.6	46	65	80	20.2	28	42	12.2	9	2.2	1	2.3	
	5B3.209.1Y.D1.80	1.5	71	100	123	31.0	28	42	18.2	9	2.2	1	2.5	
	5B3.309.1Y.D2.20	1.7	127	180	221	55.8	64	84	22.2	18	2.2	2	3.5	
	5B3.379.1Y.D2.80	2.1	184	260	318	80.7	64	84	28.2	18	2.2	3	5.2	
	5B3.389.1Y.D4.00	2.1	198	280	343	86.9	64	84	40.3	18	2.2	4	5.2	
	5B3.409.1Y.D3.40	2.3	226	320	392	99.3	64	84	34.2	18	2.2	4	5.2	
	5B3.449.1Y.D2.80	3.0	290	410	502	127.2	64	84	28.2	18	2.2	3	5.4	
	5B3.489.1Y.D3.40	2.9	361	510	625	158.2	64	84	34.2	18	2.2	4	5.5	
5B3.499.1Y.D4.00	2.8	382	540	661	167.5	64	84	40.3	18	2.2	4	5.5		
5B3.539.1Y.D5.20	3.2	474	670	821	207.8	90	111	52.3	25	3.0	5	5.6		
180°	5B3.083.1Y.D1.80	1.2	35	50	61	15.5	28	42	18.2	9	2.2	1	2.2	
	5B3.253.1Y.D2.20	1.8	92	130	159	40.3	64	84	22.2	18	2.2	2	3.0	
	5B3.323.1Y.D2.80	2.3	141	200	245	62.0	64	84	28.2	18	2.2	3	3.5	
5B3.463.1Y.D5.20	3.3	325	460	563	142.7	90	111	52.3	25	3.0	5	5.4		
180°	5B3.114.1Y.D1.80	1.4	42	60	74	18.6	28	42	18.2	9	2.2	1	2.2	
	5B3.274.1Y.D2.20	2.3	106	150	184	46.5	64	84	22.2	18	2.2	2	3.0	
	5B3.394.1Y.D2.80	3.0	205	290	355	90.0	64	84	28.2	18	2.2	3	5.0	
5B3.444.1Y.D5.20	3.2	283	400	490	124.1	90	111	52.3	25	3.0	5	5.2		

E = narrowest free cross section

Pin	Ordering no.
1	095.013.1Y.06.55
2	095.013.1Y.06.58
3	095.013.1Y.06.56
4	095.013.1Y.06.59
5	095.013.1Y.06.57

In most applications, static spray balls do not deliver the same cleaning power as rotating nozzles, anyway they do have advantages that make them indispensable for certain tasks:

- No moving parts
- Self-draining
- Proven use in hygienically sensitive environments

Should a rotating nozzle stop turning for some reason, parts of the tank may remain uncleaned. This cannot happen with spray balls. However, gaps can occur in the spray pattern if individual openings are blocked with soil.

Compared to rotating nozzles, static spray balls usually need two to three times the amount of liquid.



Rotating cleaning nozzle »PicoWhirly« Series 500.234



- Very compact design
- Self rotating
- Rotating solid jets
- Completely made of stainless steel

Material:
316L SS

Max. temperature:
200 °C

Recommended operating pressure:
3 bar

Installation:
Operation in every direction is possible

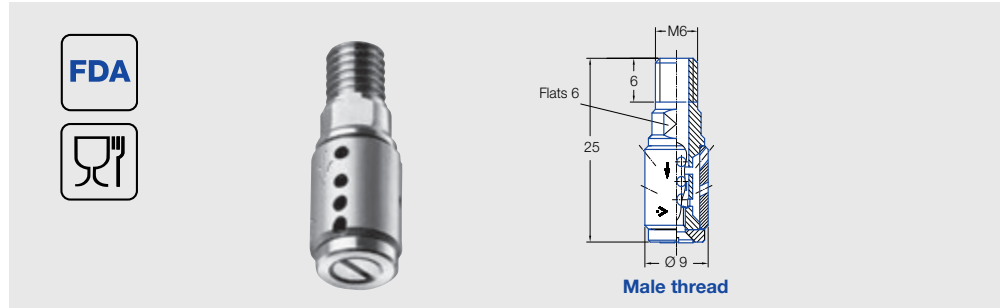
Filtration:
Line strainer with a mesh size of 0.3 mm/50 mesh

Bearing:
Kolsterised slide bearing



Function video

Scan the QR-code or go to:
<https://www.lechler.com/de-en/medialibrary>



Spray angle	Ordering number Type	E Ø [mm]	V [l/min]				Max. tank diameter [m]
			p [bar] (p _{max} = 5 bar)				
			1	2	3	at 40 psi [US gal./ min]	
300°	500.234.G9.00	1.8	5.7	8.0	9.8	2.5	0.9

E = narrowest free cross section

The maximum tank diameter shown above applies for the recommended operating pressure and is indicative only. The cleaning result is also affected by the type of soiling.

Operation with compressed air only for short-term usage. Operation above the recommended operating pressure has negative effects on the cleaning result and wear.



Rotating cleaning nozzle »MicroWhirly« Series 566



- Compact design
- Self rotating
- Effective flat jet nozzles

Material:
316L SS, PEEK

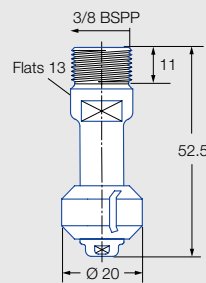
Max. temperature:
130 °C

Recommended operating pressure:
2 bar

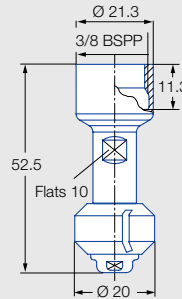
Installation:
Operation in every direction is possible

Filtration:
Line strainer with a mesh size of 0.3 mm/50 mesh

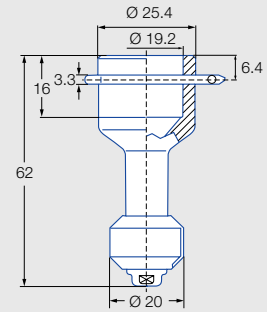
Bearing:
Slide bearing made of PEEK



Male thread



Female thread



Slip-on connection
ASME - BPE (OD-tube)



Function video

Scan the QR-code or go to:
<https://www.lechler.com/de-en/medialibrary>



ATEX version on request

Spray angle	Ordering number				E Ø [mm]	V [l/min]				Max. tank diameter [m]
	Type	Connection				p [bar] (p _{max} = 6 bar)				
		3/8 BSPP male	3/8 BSPP female	3/4" Slip-on		1	2	3	at 40 psi [US gal./ min]	
180°	566.873.1Y	AE	AF	TF	1	12	15	18	5	1.6
	566.933.1Y	AE	AF	TF	2.4	15	21	26	7	1.7
180°	566.874.1Y	AE	AF	TF	1	12	15	18	5	1.6
	566.934.1Y	AE	AF	TF	2.4	15	21	26	7	1.7
360°	566.879.1Y	AE	AF	TF	1	12	15	18	5	1.6
	566.939.1Y	AE	AF	TF	2.4	15	21	26	7	1.7

E = narrowest free cross section · NPT and weld-on version on request

The maximum tank diameter shown above applies for the recommended operating pressure and is indicative only. The cleaning result is also affected by the type of soiling.

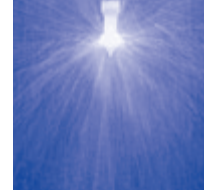
Operation with compressed air only for short-term usage. Operation above the recommended operating pressure has negative effects on the cleaning result and wear.

Slip-on information: – Pin made of 316L SS is included (Ordering number: 095.022.1Y.50.94.E)
– Depending on diameter of the adapter the flow rate can increase due to leakage between connecting pipe and rotating cleaning nozzle.

Example of ordering: Type + Connection = Ordering no.
566.873.1Y + AE = 566.873.1Y.AE



Rotating cleaning nozzle »PVDF MicroWhirly« Series 500.191



- Very inexpensive
- Self rotating
- Effective flat jet nozzles
- Completely made of PVDF

Material:
PVDF

Max. temperature:
90 °C

Recommended operating pressure:
2 bar

Installation:
Operation in every direction is possible

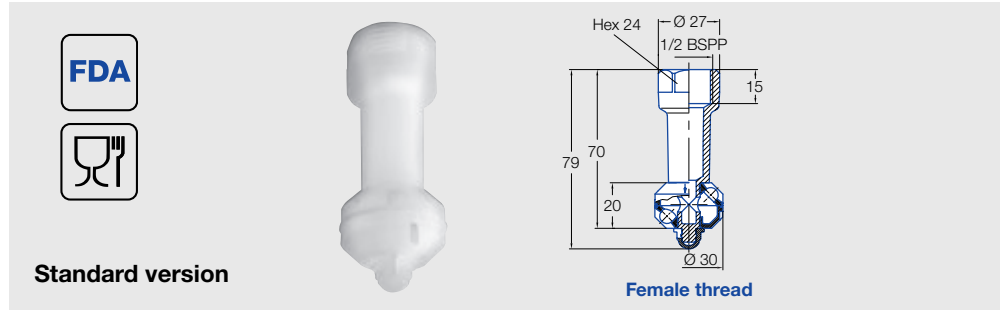
Filtration:
Line strainer with a mesh size of 0.3 mm/50 mesh

Bearing:
Slide bearing made of PVDF



Function video

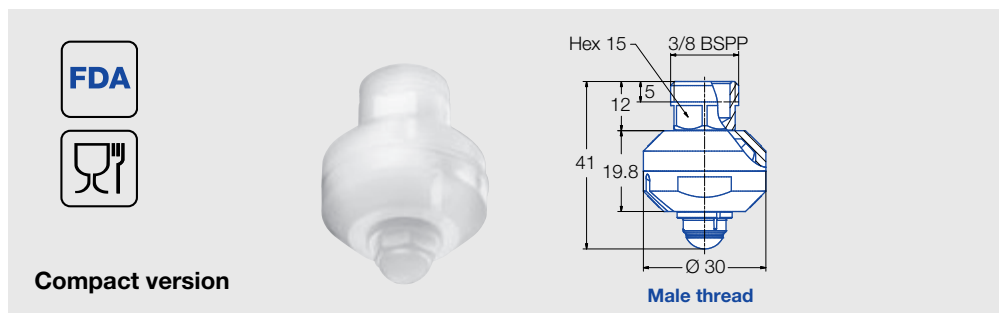
Scan the QR-code or go to:
<https://www.lechler.com/de-en/medialibrary>



Spray angle	Ordering number Type	E Ø [mm]	Connection BSPP female	V̇ [l/min]				Max. tank diameter [m]
				p [bar] (p _{max} = 5 bar)				
				1	2	3	at 40 psi [US gal./ min]	
180° 	500.191.5E.02	2.2	1/2"	9	13	16	4	0.8
180° 	500.191.5E.01	2.2	1/2"	9	13	16	4	0.8
270° 	500.191.5E.31	2.2	1/2"	14	20	25	6	1.1
360° 	500.191.5E.00	2.2	1/2"	14	20	25	6	1.1

E = narrowest free cross section

The maximum tank diameter shown above applies for the recommended operating pressure and is indicative only. The cleaning result is also affected by the type of soiling.



Spray angle	Ordering number Type	E Ø [mm]	Connection BSPP male	V̇ [l/min]				Max. tank diameter [m]
				p [bar] (p _{max} = 5 bar)				
				1	2	3	at 40 psi [US gal./ min]	
180° 	500.191.5E.21	2.2	3/8"	9	13	16	4	0.8
360° 	500.191.5E.22	2.2	3/8"	14	20	25	6	1.1

E = narrowest free cross section

The maximum tank diameter shown above applies for the recommended operating pressure and is indicative only. The cleaning result is also affected by the type of soiling.



Rotating cleaning nozzle »NanoSpinner 2« Series 5M1



- Compact design for confined spaces
- Hygienic design
- Suitable for high temperatures
- Made entirely of stainless steel 316L or Alloy 22

Cleaning efficiency class:
2

Materials:
Stainless steel 316L,
Alloy 22

Max. temperature:
250 °C

Recommended operating pressure:
2 bar

Installation:
Operation in every direction is possible

Filtration:
Line strainer with a mesh size of 0.1 mm/170 mesh

Bearing:
Double ball bearing made of stainless steel 316L, Alloy 22






Function video

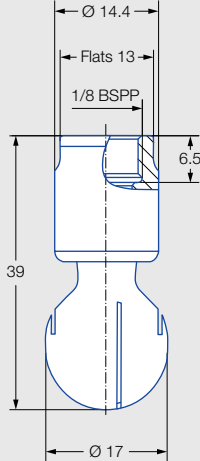
Scan the QR-code or go to:
<https://www.lechler.com/de-en/medialibrary>





ATEX version on request





 Max. tank diameter [m]	0	1	2	3	4	5	6	7	8	9
--	---	---	---	---	---	---	---	---	---	---

Spray angle	Ordering no.				Narrowest free cross section Ø [mm]	V̇ water [l/min]				Max. tank diameter [m]
	Type	Material no.		p [bar] (p _{max} = 7 bar)						
		1Y	21	Stainless steel 316L		Alloy 22		at 40 psi [US gal/min]		
360° 	5M1.879	●	●	AB	0.4	11	15	18	5	1.4
	5M1.929	●	●	AB	0.5	14	20	25	6	1.6

NPT thread, weld-on and slip-on versions on request.

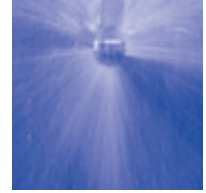
The maximum tank diameter applies to the recommended operating pressure and is meant as a recommendation only. The cleaning result is also affected by the type of soiling.

Compressed air should be used for dry blowing for a short time only. Operation above the recommended operating pressure has a negative impact on the cleaning result and wear.

Example of ordering: Type + Material no. + Connection = Ordering no.
5M1.879. + 1Y + AB = 5M1.879.1Y.AB



Rotating cleaning nozzle »MicroSpinner 2« Series 5M2



- Hygienic design
- Suitable for high temperatures
- Made entirely of stainless steel 316L or Alloy 22

Cleaning efficiency class:
2

Materials:
Stainless steel 316L,
Alloy 22

Max. temperature:
250 °C

Recommended operating pressure:
2 bar

Installation:
Operation in every direction is possible

Filtration:
Line strainer with a mesh size of 0.1 mm/170 mesh

Bearing:
Double ball bearing made of stainless steel 316L, Alloy 22

Adapter:
3/8 BSPP is compatible with HygienicFit

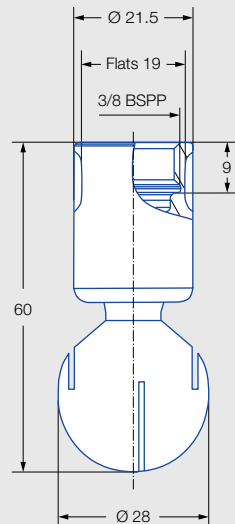


Function video

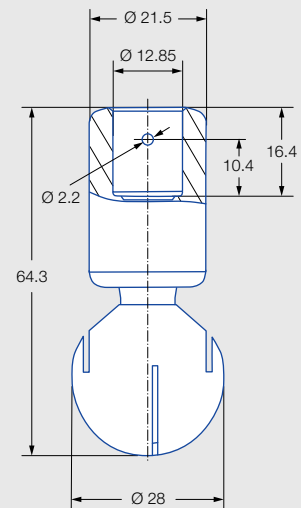
Scan the QR-code or go to:
<https://www.lechler.com/de-en/medialibrary>



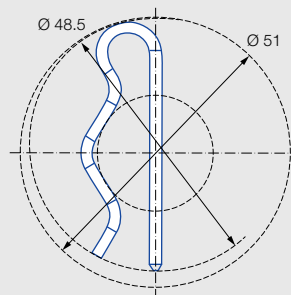
ATEX version on request



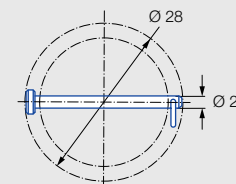
Female thread



Dimensions of the slip-on connection according to ASME-BE (OD-tube)



Dimensions of the slip-on connection top view stainless steel 316L

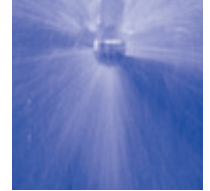





Dimensions of the slip-on connection top view Alloy 22

 Max. tank diameter [m]	0	1	2	3	4	5	6	7	8	9
--	---	---	---	---	---	---	---	---	---	---



Rotating cleaning nozzle »MicroSpinner 2« Series 5M2



Spray angle	Ordering no.					Narrowest free cross section \varnothing [mm]	\dot{V} water [l/min]				Max. tank diameter [m]
	Type	Material no.		Connection			p [bar] ($p_{max} = 7$ bar)				
		1Y	21				1.0	2.0	3.0	at 40 psi [US gal/min]	
		Stainless steel 316L	Alloy 22	3/8 BSPP	1/2" Slip-on						
60° 	5M2.952	●	●	AF	TF05	1.5	16	23	28	7	–
	5M2.042	●	●	AF	TF05	3.0	28	40	49	12	–
180° 	5M2.004	●	●	AF	TF05	0.9	22	32	39	10	1.8
360° 	5M2.969	●	●	AF	TF05	0.8	18	25	31	8	1.7
	5M2.049	●	●	AF	TF05	0.9	28	39	48	12	1.8

NPT thread, weld-on and further slip-on versions on request.

The max. tank diameter shown above applies for the recommended operating pressure and has to be seen as a recommendation. The cleaning result is also affected by the type of soiling.

Operating with compressed air only for short-term usage. Operation above the recommended operating pressure has negative effects on the cleaning result and wear.

Slip-on information:

- Pin made of stainless steel 316L included (Ordering-no. 05M.230.1Y.00.00.0). Version made of Alloy 22 bolt with head incl. pin included (Ordering-no. 05M.231.21.00.00.0).
- Depending on diameter of the adapter, the flow rate increase due to leakage between connecting pipe and rotating cleaning nozzle.
- Minimum insertion diameter (with mounted pin) is 48,5 mm for the types made of stainless steel 316L and 28 mm for the types made of Alloy 22.

Example of ordering: Type + Material no. + Connection = Ordering no.
5M2.952. + 1Y + AF = 5M2.952.1Y.AF



Rotating cleaning nozzle »MiniSpinner 2« Series 5M3



- Hygienic design
- Suitable for high temperatures
- Made entirely of stainless steel 316L or Alloy 22

Cleaning efficiency class:
2

Materials:
Stainless steel 316L,
Alloy 22

Max. temperature:
250 °C

Recommended operating pressure:
2 bar

Installation:
Operation in every direction is possible

Filtration:
Line strainer with a mesh size of 0.1 mm/170 mesh

Bearing:
Double ball bearing made of stainless steel 316L, Alloy 22

Adapter:
1/2 BSPP and 3/4 BSPP are compatible with HygienicFit

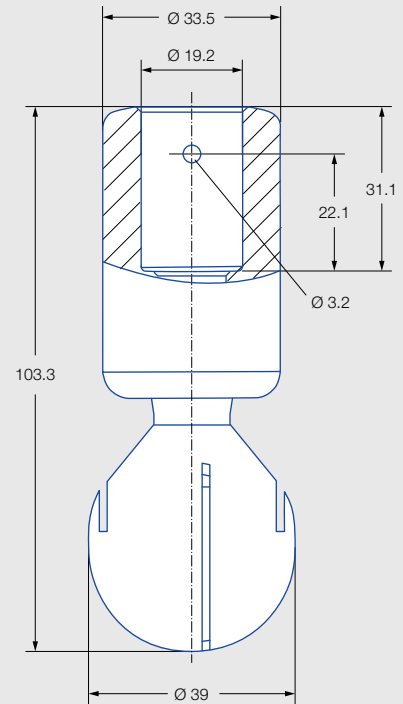


Function video

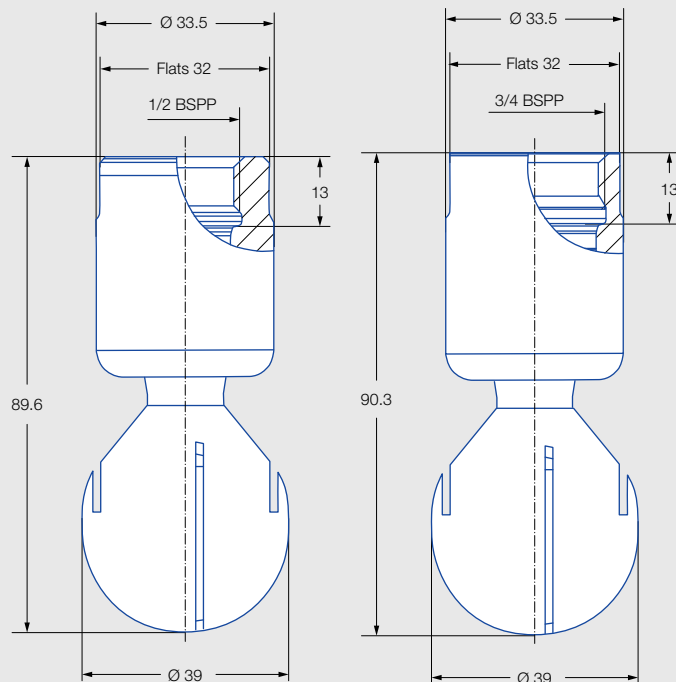
Scan the QR-code or go to:
<https://www.lechler.com/de-en/medialibrary>



ATEX version on request



Dimensions of the slip-on connection according to ASME-BE (OD-tube)



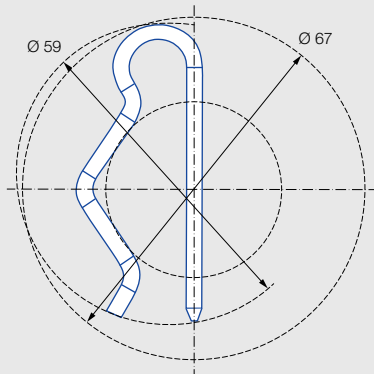
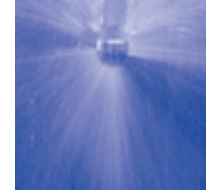
Female thread

Female thread

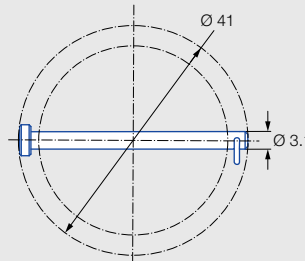
 Max. tank diameter [m]	0	1	2	3	4	5	6	7	8	9
--	---	---	---	---	---	---	---	---	---	---




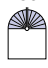


Rotating cleaning nozzle »MiniSpinner 2« Series 5M3



Dimensions of the slip-on connection
top view stainless steel 316L



Dimensions of the slip-on connection
top view Alloy 22

Spray angle	Ordering no.						Narrowest free cross section \varnothing [mm]	\dot{V} water [l/min]				Max. tank diameter [m]
	Type	Material no.		Connection				p [bar] ($p_{max} = 7$ bar)				
		1Y	21	1/2 BSPP	3/4 BSPP	3/4"-Slip-on		1.0	2.0	3.0	at 40 psi [US gal/min]	
		Stainless steel 316L	Alloy 22									
60° 	5M3.122	●	●	AH		TF07	2.6	45	63	77	20	–
180° 	5M3.133	●	●		AL	TF07	1.2	47	67	82	21	2.6
180° 	5M3.134	●	●		AL	TF07	1.3	47	67	82	21	2.6
360° 	5M3.999	●	●		AL	TF07	0.4	21	30	37	9	1.8
	5M3.089	●	●		AL	TF07	0.7	35	49	60	15	2.1
	5M3.139	●	●		AL	TF07	0.8	49	69	85	21	2.3
	5M3.209	●	●		AL	TF07	1.5	71	100	122	31	2.6

NPT thread, weld-on and further slip-on versions on request.

The max. tank diameter shown above applies for the recommended operating pressure and has to be seen as a recommendation. The cleaning result is also affected by the type of soiling.

Operating with compressed air only for short-term usage. Operation above the recommended operating pressure has negative effects on the cleaning result and wear.

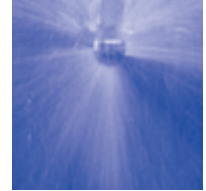
Slip-on information:

- Pin made of stainless steel 316L included (Ordering-no. 05M.330.1Y.00.00.0). Version made of Alloy 22 bolt with head incl. pin included (Ordering-no. 05M.332.21.00.00.0).
- Depending on diameter of the adapter, the flow rate increase due to leakage between connecting pipe and rotating cleaning nozzle.
- Minimum insertion diameter (with mounted pin) is 59 mm for the types made of stainless steel 316L and 41 mm for the types made of Alloy 22.

Example **Type** + **Material no.** + **Connection** = **Ordering no.**
of ordering: 5M3.122. + 1Y + AH = 5M3.122.1Y.AH



Rotating cleaning nozzle »Maxi Spinner 2« Series 5M4



- Hygienic design
- Suitable for high temperatures
- Made entirely of stainless steel 316L or Alloy 22

Cleaning efficiency class:
2

Materials:
Stainless steel 316L,
Alloy 22

Max. temperature:
250 °C

Recommended operating pressure:
2 bar

Installation:
Operation in every direction is possible

Filtration:
Line strainer with a mesh size of 0.1 mm/170 mesh

Bearing:
Double ball bearing made of stainless steel 316L, Alloy 22

Adapter:
1 1/4 BSPP and 1 1/2 BSPP are compatible with HygienicFit

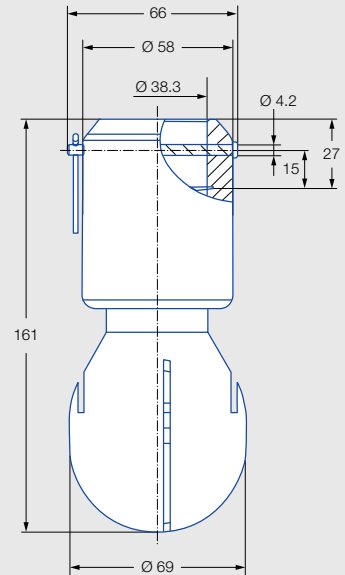


Function video

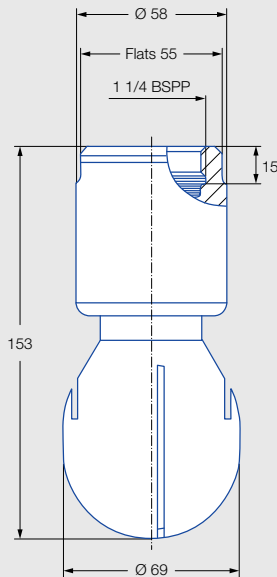
Scan the QR-code or go to:
<https://www.lechler.com/de-en/medialibrary>



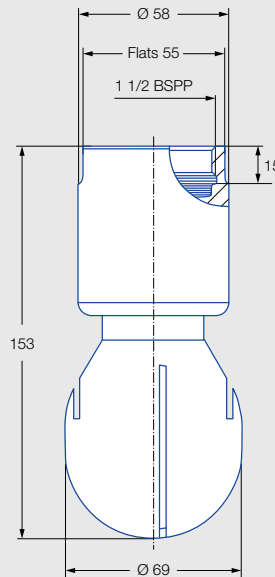
ATEX version on request



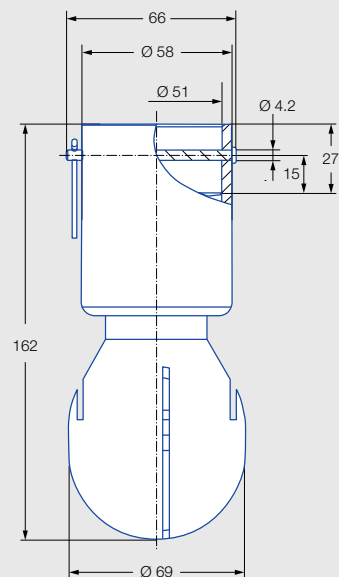
Dimensions of the 1 1/2" slip-on connection according to ASME-BE (OD-tube)



Female thread



Female thread



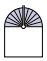



Dimensions of the 2" slip-on connection according to ASME-BE (OD-tube)

Max. tank diameter [m]	0	1	2	3	4	5	6	7	8	9



Rotating cleaning nozzle »Maxi Spinner 2« Series 5M4



Spray angle	Ordering no.							Narrowest free cross section \varnothing [mm]	V̇ water [l/min]				Max. tank diameter [m]
	Type	Material no.		Connection					p [bar] (p _{max} = 7 bar)*				
		1Y	21	1 1/4 BSPP	1 1/2 BSPP	1 1/2" Slip-on	2" Slip-on		1,0	2,0	3,0	at 40 psi [US gal/min]	
		Stainless steel 316L	Alloy 22										
180° 	5M4.253	●	●	AQ	AS	TF15	TF20	1.8	95	135	165	42	4.0
180° 	5M4.254	●	●	AQ	AS	TF15	TF20	2.1	95	135	165	42	4.0
270° 	5M4.365	●	●	AQ	AS	TF15	TF20	2.5	177	250	306	78	5.0
360° 	5M4.279	●	●	AQ	AS	TF15	TF20	1.7	107	150	184	46	4.0
	5M4.329	●	●	AQ	AS	TF15	TF20	2.0	141	200	245	62	4.5
	5M4.369	●	●	AQ	AS	TF15	TF20	2.3	177	250	306	78	5.0

NPT thread and weld-on versions on request.

* Please note the maximum operating pressure of 4 bar for the 2" slip-on connection.

The max. tank diameter shown above applies for the recommended operating pressure and has to be seen as a recommendation. The cleaning result is also affected by the type of soiling.

Operating with compressed air only for short-term usage. Operation above the recommended operating pressure has negative effects on the cleaning result and wear.

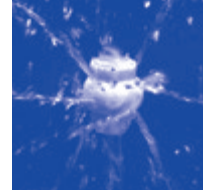
Slip-on information:

- Bolt with head incl. pin made of stainless steel 316L included (Ordering-no. 05M.431.1Y.00.00.0). Version made of Alloy 22 bolt with head incl. pin included (Ordering-no. 05M.431.21.00.00.0).
- Depending on diameter of the adapter, the flow rate increase due to leakage between connecting pipe and rotating cleaning nozzle.
- Minimum insertion diameter (with mounted pin) is 69 mm for the types made of stainless steel 316L and also for the types made of Alloy 22.

Example Type + Material no. + Connection = Ordering no.
of ordering: 5M4.253. + 1Y + AQ = 5M4.253.1Y.AQ



Rotating cleaning nozzle »PTFE Whirly« Series 573/583



- Self rotating
- Rotating solid jets
- Recommended for tanks made of glass and enamel
- 3A® version available

Materials:
PTFE

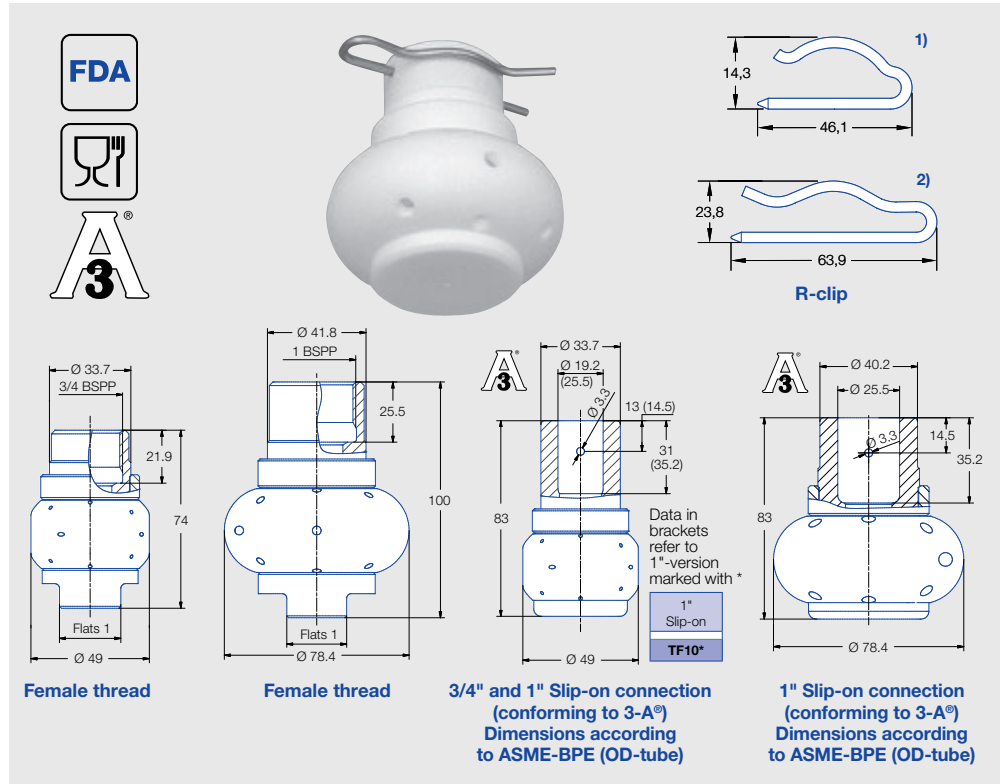
Max. temperature:
95 °C
(Versions for use with higher temperature (130 °C) on request)

Recommended operating pressure:
2 bar

Installation:
Operation in every direction is possible

Filtration:
Line strainer with a mesh size of 0.3 mm/50 mesh

Bearing:
Slide bearing made of PTFE



Function video

Scan the QR-code or go to:
<https://www.lechler.com/de-en/medialibrary>

Operation with compressed air only for short-term usage. Operation above the recommended operating pressure has negative effects on the cleaning result and wear.

Slip-on information:
– R-clip made of 316L SS is included (Ordering number:
R-clip 1: 095.022.1Y.50.88.E,
R-clip 2: 095.022.1Y.50.60.E).
– Depending on diameter of the adapter the flow rate can increase due to leakage between connecting pipe and rotating cleaning nozzle.

Spray angle	R-clip	Type	Ordering no.				E Ø [mm]	V̇ [l/min]				Dimensions for female thread version		Max. tank diameter [m]
			Connection					p [bar] (p _{max} = 6 bar)				Height H [mm]	Dia-mer D [mm]	
			3/4 BSPP	1 BSPP	3/4" Slip-on	1" Slip-on		1	2	3	at 40 psi [US gal./min]			
180°	1)	583.114.55	AL	-	TF07	TF10*	2.1	47	67	82	21	74	49	2.5
	1)	583.264.55	AL	-	TF07	TF10*	3.3	103	145	178	45	74	49	2.8
	2)	583.344.55	-	AN	-	TF10	7.1	159	225	276	70	100	78.5	3.2
180°	1)	573.114.55	AL	-	TF07	TF10*	2.1	47	67	82	21	74	49	2.5
	1)	573.264.55	AL	-	TF07	TF10*	3.3	103	145	178	45	74	49	2.8
	2)	573.344.55	-	AN	-	TF10	7.1	159	225	276	70	100	78.5	3.2
270°	1)	583.116.55	AL	-	TF07	TF10*	2.4	47	67	82	21	74	49	2.5
	1)	583.266.55	AL	-	TF07	TF10*	3.4	103	145	178	45	74	49	2.8
	2)	583.346.55	-	AN	-	TF10	5.9	159	225	276	70	100	78.5	3.2
270°	1)	573.116.55	AL	-	TF07	TF10*	2.4	47	67	82	21	74	49	2.5
	1)	573.266.55	AL	-	TF07	TF10*	3.4	103	145	178	45	74	49	2.8
	2)	573.346.55	-	AN	-	TF10	5.9	159	225	276	70	100	78.5	3.2
360°	1)	583.119.55	AL	-	TF07	TF10*	1.8	41	58	71	18	74	49	2.4
	1)	583.209.55	AL	-	TF07	TF10*	3.5	71	100	122	31	74	49	2.5
	1)	583.269.55	AL	-	TF07	TF10*	4.8	103	145	178	45	74	49	2.8
	2)	583.279.55	-	AN	-	TF10	3.7	106	150	184	47	100	78.5	3.0
	2)	583.349.55	-	AN	-	TF10	5.6	159	225	276	70	100	78.5	3.2

E = narrowest free cross section · NPT on request · * see drawing 3 for details

The maximum tank diameter shown above applies for the recommended operating pressure and is indicative only. The cleaning result is also affected by the type of soiling.

Example	Type	+	Connection	=	Ordering no.
of ordering:	583.114.55	+	AL	=	583.114.55.AL



Pop-up rotating cleaning nozzle »PopUp Whirly« Series 5P2

- For installation in the tank wall
- Cleaning with foam is possible
- Self rotating

Materials:

316L SS, 316Ti SS (spring),
316 SS (snap ring),
PEEK (slide-bearing),
FKM (O-ring)

Max. temperature:

140 °C

Recommended operating pressure:

2 bar,
opening pressure approx. 1.0 bar,
closing pressure approx. 0.5 bar

Installation:

Operation in every direction is possible

Filtration:

Line strainer with a mesh size of 0.3 mm/50 mesh

Bearing:

Slide bearing made of PEEK

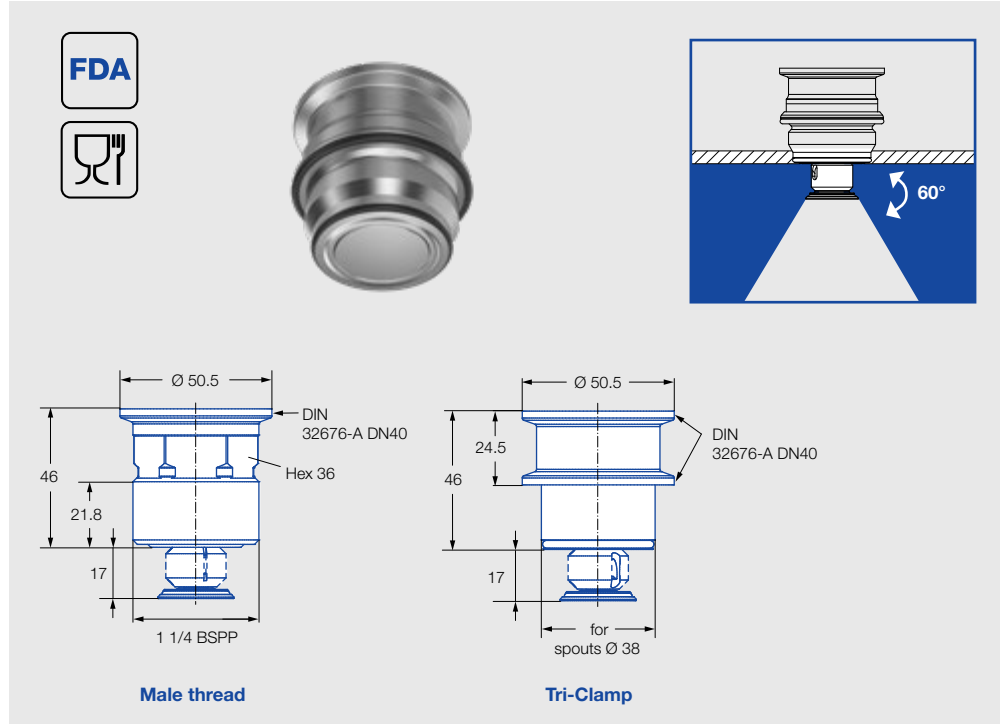


Function video

Scan the QR-code or go to:
<https://www.lechler.com/de-en/medialibrary>



ATEX version on request



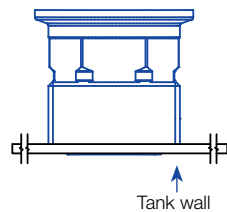
Spray angle	Ordering no.	Tank connection		E Ø [mm]	V̇ [l/min]				Max. tank diameter [m]
		1 1/4 BSPP	Tri-Clamp		p [bar] (p _{max} = 6 bar)				
					1	2	3	at 40 psi [US gal./ min]	
	5P2.873.1Y.AP	○	-	1.1	10.6	15.0	18.4	5	0.8
	5P2.873.1Y.00	-	○	1.1	10.6	15.0	18.4	5	0.8
	5P2.923.1Y.AP	○	-	1.1	14.1	20.0	24.5	6	1.0
	5P2.923.1Y.00	-	○	1.1	14.1	20.0	24.5	6	1.0

The maximum tank diameter shown above applies for the recommended operating pressure and is indicative only. The cleaning result is also affected by the type of soiling.

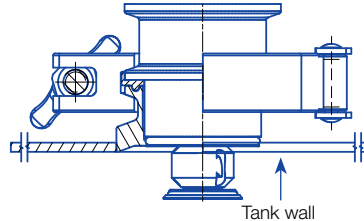
Operation with compressed air only for short-term usage. Operation above the recommended operating pressure has negative effects on the cleaning result and wear.

Nozzle installation

Via thread in idle position



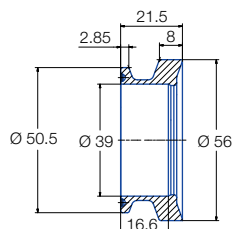
Via Tri-Clamp in operating position



Information on operation

- The PopUp Whirly is not suitable for operation with compressed air or any other gas.
- Operation above the recommended operating pressure means higher wear and smaller droplets. This might have adverse effects on the cleaning result.

Weld-in flange for Tri-Clamp-Version



Ordering number

050.020.1Y.01.00

Material

316L SS

Information

Gasket with a thickness of 2 mm must be used if the nozzle is installed with this weld-in flange.



Pop-up rotating cleaning nozzle

»PopUp Whirly«

Series 5P3



- For installation in the tank wall
- Cleaning with foam is possible
- Self rotating

Materials:

316L SS, 316Ti SS (spring),
316 SS (snap ring),
PEEK (slide-bearing),
FKM (O-ring)

Max. temperature:

140 °C

Recommended operating pressure:

2 bar,
opening pressure approx. 0.9 bar,
closing pressure approx. 0.5 bar

Installation:

Operation in every direction is possible

Filtration:

Line strainer with a mesh size of 0.3 mm/50 mesh

Bearing:

Slide bearing made of PEEK

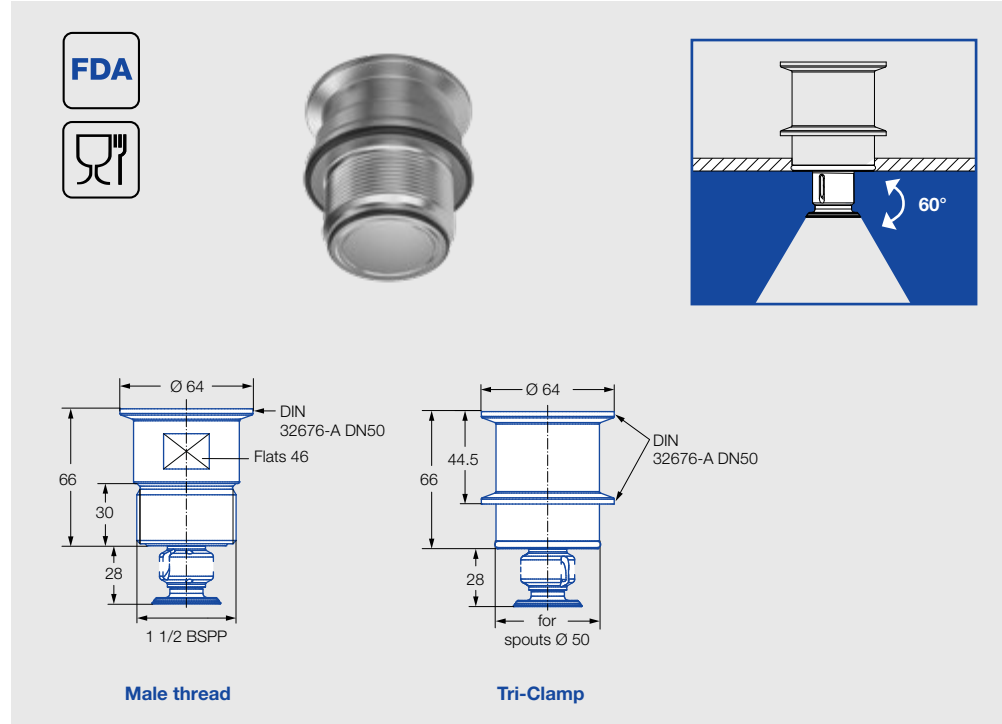


Function video

Scan the QR-code or go to:
<https://www.lechler.com/de-en/medialibrary>



ATEX version on request



Spray angle	Ordering no.	Tank connection		E Ø [mm]	V [l/min]				Max. tank diameter [m]
		1 1/2 BSPP	Tri-Clamp		p [bar] (p _{max} = 6 bar)				
					1	2	3	at 40 psi [US gal./ min]	
	5P3.043.1Y.AR	○	-	1.2	28.3	40	49	12	2.2
	5P3.043.1Y.00	-	○	1.2	28.3	40	49	12	2.2

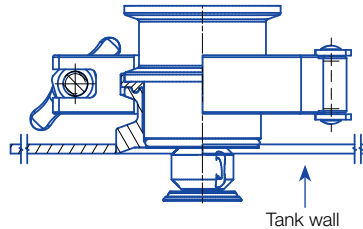
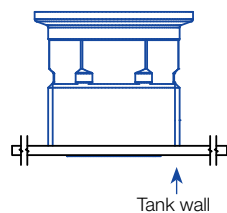
The maximum tank diameter shown above applies for the recommended operating pressure and is indicative only. The cleaning result is also affected by the type of soiling.

Operation with compressed air only for short-term usage. Operation above the recommended operating pressure has negative effects on the cleaning result and wear.

Nozzle installation

Via thread in idle position

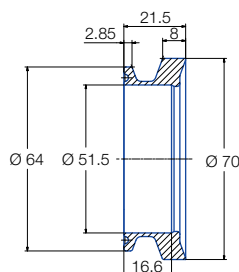
Via Tri-Clamp in operating position



Information on operation

- The PopUp Whirly is not suitable for operation with compressed air or any other gas.
- Operation above the recommended operating pressure means higher wear and smaller droplets. This might have adverse effects on the cleaning result.

Weld-in flange for Tri-Clamp-Version



Ordering number

050.020.1Y.01.01

Material

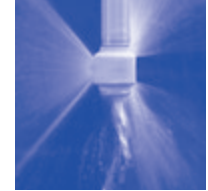
316L SS

Information

Gasket with a thickness of 2 mm must be used if the nozzle is installed with this weld-in flange.



Rotating cleaning nozzle »HygienicWhirly« Series 594/595



- Self rotating
- Effective flat jet nozzles
- Very good performance with foam usage

Materials:

316L SS, PEEK

Max. temperature:

100 °C,
short-term up to 140 °C

Recommended operating pressure:

3 bar

Installation:

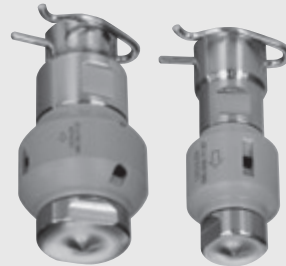
Operation in every direction is possible

Filtration:

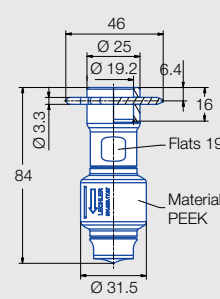
Line strainer with a mesh size of 0.3 mm/50 mesh

Bearing:

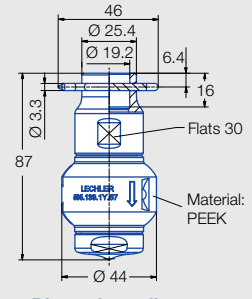
Slide bearing made of PEEK



Slip-on connection



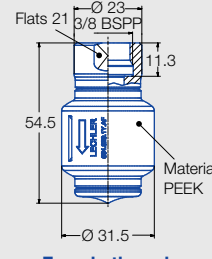
Dimensions slip-on connection according to ASME-BPE (OD-tube) 59X.XX9.1Y.67



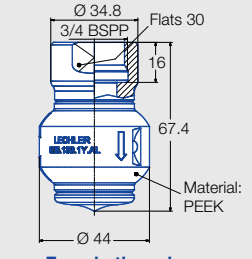
Dimensions slip-on connection according to ASME-BPE (OD-tube) 595.139.1Y.67



Standard Version



Female thread 59X.XX9.1Y.AF



Female thread 595.139.1Y.AL



Function video

Scan the QR-code or go to:
<https://www.lechler.com/de-en/medialibrary>

Spray angle	Ordering no.	Connection			E Ø [mm]	V [l/min]					Max. tank diameter [m]	
		Type	3/8 BSPP female	3/4 BSPP female		3/4" Slip-on	p [bar] (p _{max} = 5 bar)					
							0.5	1	2	3		at 40 psi [US gal./min]
360°	594.829.1Y	AF	-	67	1.7	6	8	11	14	3	0.8	
	594.879.1Y	AF	-	67	2.5	8	11	15	18	5	1.2	
	595.009.1Y	AF	-	67	4.0	16	22	32	39	10	1.5	
	595.049.1Y	AF	-	67	4.2	20	28	40	49	12	2.0	
	595.139.1Y	-	AL	67	5.0	34	47	67	82	21	2.7	

E = narrowest free cross section · NPT on request

The maximum tank diameter shown above applies for the recommended operating pressure and is indicative only. The cleaning result is also affected by the type of soiling.

Slip-on information: – R-clip made of 316L SS is included (Ordering number: 095.022.1Y.50.94.E).

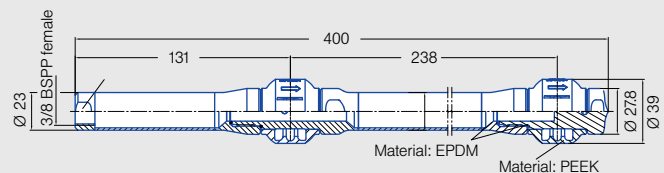
– Depending on diameter of the adapter the flow rate can increase due to leakage between connecting pipe and rotating cleaning nozzle.

Example of ordering: Type 594.829.1Y + Connection AF = Ordering no. 594.829.1Y.AF

Rotating lance

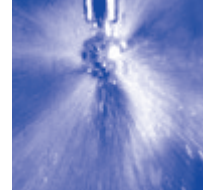


Available on request.





Rotating cleaning nozzle »Whirly 2« Series 5W9



- Popular and proven design
- Cleaning with effective flat jets
- Various connection options
- Available with a wide range of flow rates and spray angles

Cleaning efficiency class:
3

Materials:
Stainless steel 316L,
PEEK

Max. temperature:
140 °C

Recommended operating pressure:
2 bar

Installation:
Operation in every direction is possible

Filtration:
Line strainer with a mesh size of 0.1 mm/170 mesh

Bearing:
Double ball bearing made of stainless steel

Adapter:
3/4 BSP is compatible with HygienicFit

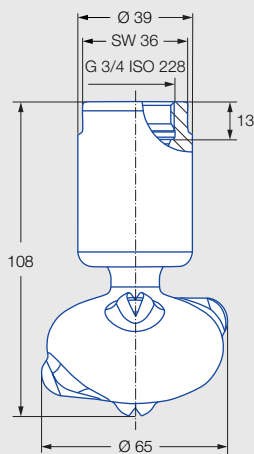


Function video

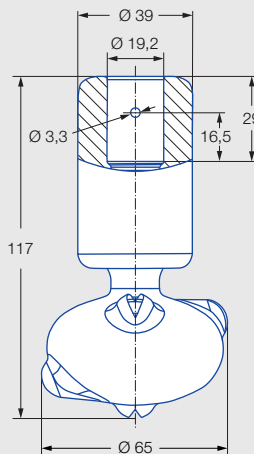
Scan the QR-code or go to:
<https://www.lechler.com/de-en/medialibrary>



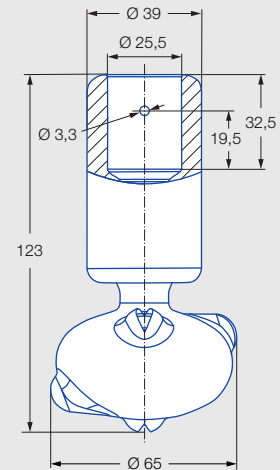
ATEX version on request



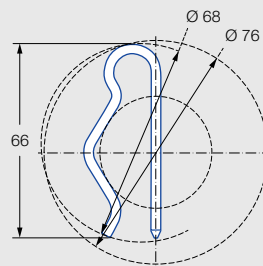
Female thread



Dimensions slip-on connection according to ASME-BPE (OD-tube)



Dimensions slip-on connection according to ASME-BPE (OD-tube)

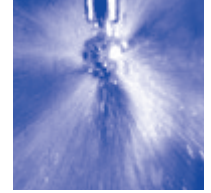





Dimensions slip-on connection top view

Max. tank diameter [m]	0	1	2	3	4	5	6	7	8	9
------------------------	---	---	---	---	---	---	---	---	---	---



Rotating cleaning nozzle »Whirly 2« Series 5W9



Spray angle	Ordering no.				Narrowest free cross section Ø [mm]	V̇ water [l/min]				Max. tank diameter [m]
	Type	Code				p [bar] (p _{max} = 6 bar)				
		3/4 BSPP	3/4" Slip-on connection	1" Slip-on connection		1.0	2.0	3.0	at 40 psi [US gal/min]	
270° 	5W9.075.1Y	AL	TF07	TF10	2.0	34	48	59	15	1.8
	5W9.145.1Y	AL	TF07	TF10	2.8	50	71	87	22	2.1
	5W9.195.1Y	AL	TF07	TF10	3.3	69	97	119	30	2.6
270° 	5W9.076.1Y	AL	TF07	TF10	2.0	34	48	59	15	1.8
	5W9.106.1Y	AL	TF07	TF10	2.5	41	58	71	18	2.1
	5W9.196.1Y	AL	TF07	TF10	3.4	69	97	119	30	2.6
360° 	5W9.079.1Y	AL	TF07	TF10	1.6	34	48	59	15	1.8
	5W9.149.1Y	AL	TF07	TF10	2.4	50	71	87	22	2.1
	5W9.199.1Y	AL	TF07	TF10	3.0	69	97	119	30	2.6
	5W9.279.1Y	AL	TF07	TF10	3.5	103	145	178	45	3.0

NPT thread available on request.


**The maximum tank diameter applies to the recommended operating pressure and is meant as a recommendation only.
The cleaning result is also affected by the type of soiling.**

Compressed air should be used for dry blowing for a short time only. Operation above the recommended operating pressure has a negative impact on the cleaning result and wear.

Slip-on information:

- Pin made of stainless steel 316L supplied (Ordering no.: 095.013.1Y.06.72.0).
- Depending on the diameter of the adapter, the flow rate can increase due to a leakage between the adapter and the rotating cleaning nozzle.
- Minimum insertion diameter (with mounted pin) is 68 mm.

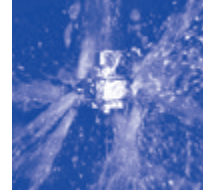
Bestell-	Type	+	Anschluss	=	Bestell-Nr.
beispiel:	5W9.075.1Y	+	AL	=	5W9.075.1Y.AL

A close-up photograph of a silver showerhead. The showerhead has a cylindrical body with a spherical base. The brand name "Whirly2" is printed on the cylindrical part. The background is a blurred, light-colored surface.

Whirly2



Rotating cleaning nozzle »Gyro« Series 577



- Self rotating
- Effective flat jet nozzles
- Large free cross sections, less prone to clogging

Max. tank diameter:
5.5 m

Materials:
316L SS, PTFE

Max. temperature:
90 °C

Recommended operating pressure:
3 bar

Installation:
Vertically facing downward

Filtration:
Line strainer with a mesh size of 0.3 mm/50 mesh

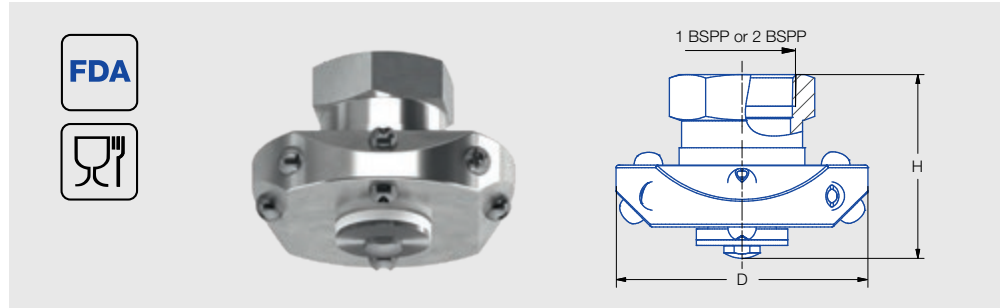
Bearing:
Slide bearing made of PTFE

Accessories:
Spare parts set consisting of: top seal, bottom seal, bolt, nut, sleeve, instructions for use



Function video

Scan the QR-code or go to:
<https://www.lechler.com/de-en/medialibrary>



Spray angle	Ordering no.			V [l/min]					Dimensions	
	Type	Connection		p [bar] (p _{max} = 5 bar)					Height H [mm]	Diameter D [mm]
		1 BSPP	2 BSPP	1	2	3	5	at 40 psi [US gal./min]		
180°	577.283.1Y	AN	-	115	163	200	258	50	72	118
	577.363.1Y	AN	-	182	258	316	408	80	72	118
	577.403.1Y	-	AW	228	322	394	509	100	103	156
	577.433.1Y	-	AW	273	386	473	610	120	103	156
	577.523.1Y	-	AW	452	639	783	1010	170	103	156
180°	577.284.1Y	AN	-	115	163	200	258	50	72	118
	577.364.1Y	AN	-	182	258	316	408	80	72	118
	577.404.1Y	-	AW	228	322	394	509	100	103	156
	577.434.1Y	-	AW	273	386	473	610	120	103	156
	577.494.1Y	-	AW	380	538	659	851	170	103	156
270°	577.285.1Y	AN	-	115	163	200	258	50	72	118
	577.365.1Y	AN	-	182	258	316	408	80	72	118
	577.405.1Y	-	AW	228	322	394	509	100	103	156
	577.435.1Y	-	AW	273	386	473	610	120	103	156
	577.495.1Y	-	AW	380	538	659	851	170	103	156
360°	577.289.1Y	AN	-	115	163	200	258	50	72	118
	577.369.1Y	AN	-	182	258	316	408	80	72	118
	577.409.1Y	-	AW	228	322	394	509	100	103	156
	577.439.1Y	-	AW	273	386	473	610	120	103	156
	577.499.1Y	-	AW	380	538	659	851	170	103	156

NPT on request

The maximum tank diameter shown above applies for the recommended operating pressure and is indicative only. The cleaning result is also affected by the type of soiling.

Operation with compressed air only for short-term usage. Operation above the recommended operating pressure has negative effects on the cleaning result and wear.

Example **Type** + **Connection** = **Ordering no.**
for Ordering: 577.283.1Y + AN = 577.283.1Y.AN



Rotating cleaning nozzle »XactClean® HP« Series 5S2/5S3



- Controlled rotation
- Powerful flat jet nozzles
- Very efficient tank cleaning nozzle

Materials:

316L SS, 316 SS,
632 SS, PEEK, PTFE,
Zirconium oxide, EPDM

Max. temperature:

95 °C

Recommended operating pressure: 5 bar

Installation:

Operation in every direction is possible

Filtration:

Line strainer with a mesh size of 0.3 mm/50 mesh

Bearing:

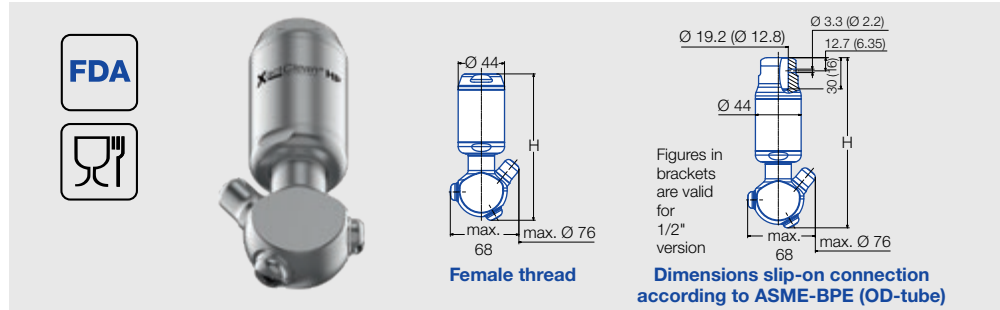
Double ball bearing

Rotation monitoring sensor:

Sensor compatible,
Info: see page 35

Nozzle dimensions [mm]

Connection	Max. Height [H]
AF	146
AH	149
AL	139
AN	139
TF05	148
TF07	164



Strahlwinkel 	Bestell-Nr.							E Ø [mm]	V̇ [l/min]					Max. tank diameter [m]
	Type	Connection							p [bar] (p _{max} = 15 bar)					
		G 3/8 ISO 228	G 1/2 ISO 228	G 3/4 ISO 228	G 1 ISO 228	1/2" Steckverbindung	3/4" Steckverbindung		2	5	10	bei 40 psi [US gal./min]		
180° 	5S2.953.1Y	AF	AH	-	-	TF05	-	2.0	25	40	57	7.8	3.5	
	5S3.053.1Y	-	AH	-	-	-	TF07	2.0	41	65	92	12.8	4.0	
	5S3.113.1Y	-	AH	AL	-	-	TF07	2.0	60	94	133	18.4	6.0	
	5S3.183.1Y	-	-	AL	-	-	TF07	2.0	89	141	199	27.7	7.0	
	5S3.233.1Y	-	-	AL	-	-	TF07	2.0	111	175	248	34.3	7.5	
	5S3.263.1Y	-	-	AL	AN	-	TF07	2.0	135	213	301	41.8	8.0	
180° 	5S2.954.1Y	AF	AH	-	-	TF05	-	2.0	25	40	57	7.8	3.5	
	5S3.054.1Y	-	AH	-	-	-	TF07	2.0	41	65	92	12.8	4.0	
	5S3.114.1Y	-	AH	AL	-	-	TF07	2.0	60	94	133	18.4	6.0	
	5S3.184.1Y	-	-	AL	-	-	TF07	2.0	89	141	199	27.7	7.0	
	5S3.234.1Y	-	-	AL	-	-	TF07	2.0	111	175	248	34.3	7.5	
	5S3.264.1Y	-	-	AL	AN	-	TF07	2.0	135	213	301	41.8	8.0	
270° 	5S2.955.1Y	AF	AH	-	-	TF05	-	2.0	25	40	57	7.8	3.5	
	5S3.055.1Y	-	AH	-	-	-	TF07	2.0	41	65	92	12.8	4.0	
	5S3.115.1Y	-	AH	AL	-	-	TF07	2.0	60	94	133	18.4	6.0	
	5S3.185.1Y	-	-	AL	-	-	TF07	2.0	89	141	199	27.7	7.0	
	5S3.235.1Y	-	-	AL	-	-	TF07	2.0	111	175	248	34.3	7.5	
	5S3.265.1Y	-	-	AL	AN	-	TF07	2.0	135	213	301	41.8	8.0	
270° 	5S2.956.1Y	AF	AH	-	-	TF05	-	2.0	25	40	57	7.8	3.5	
	5S3.056.1Y	-	AH	-	-	-	TF07	2.0	41	65	92	12.8	4.0	
	5S3.116.1Y	-	AH	AL	-	-	TF07	2.0	60	94	133	18.4	6.0	
	5S3.186.1Y	-	-	AL	-	-	TF07	2.0	89	141	199	27.7	7.0	
	5S3.236.1Y	-	-	AL	-	-	TF07	2.0	111	175	248	34.3	7.5	
	5S3.266.1Y	-	-	AL	AN	-	TF07	2.0	135	213	301	41.8	8.0	
360° 	5S2.959.1Y	AF	AH	-	-	TF05	-	1.7	25	40	57	7.8	3.5	
	5S3.059.1Y	-	AH	-	-	-	TF07	2.0	41	65	92	12.8	4.0	
	5S3.119.1Y	-	AH	AL	-	-	TF07	2.0	60	94	133	18.4	6.0	
	5S3.189.1Y	-	-	AL	-	-	TF07	2.0	89	141	199	27.7	7.0	
	5S3.239.1Y	-	-	AL	-	-	TF07	2.0	111	175	248	34.3	7.5	
	5S3.269.1Y	-	-	AL	AN	-	TF07	2.0	135	213	301	41.8	8.0	

E = narrowest free cross section · NPT on request

The maximum tank diameter shown above applies for the recommended operating pressure and is indicative only. The cleaning result is also affected by the type of soiling.

Operation with compressed air only for short-term usage. Operation above the recommended operating pressure has negative effects on the cleaning result and wear.

Slip-on information: – R-clip made of 316L SS is included (Ordering number: 095.022.1Y.50.60.E (TF07), 095.013.1E.05.59.0 (TF05)).
– Depending on diameter of the adapter the flow rate can increase due to leakage between connecting pipe and rotating cleaning nozzle.



Rotating cleaning nozzle »XactClean® HP+« Series 5S5



- Controlled rotation
- Powerful flat fan nozzles
- Very efficient tank cleaning nozzle, especially for larger tanks

Materials:

316L SS, 316 SS, PEEK, EPDM

Max. temperature:

95 °C

Recommended operating pressure:

3 bar

Installation:

Operation in every direction is possible

Filtration:

Line strainer with a mesh size of 0.3 mm/50 mesh

Bearing:

Double ball bearing

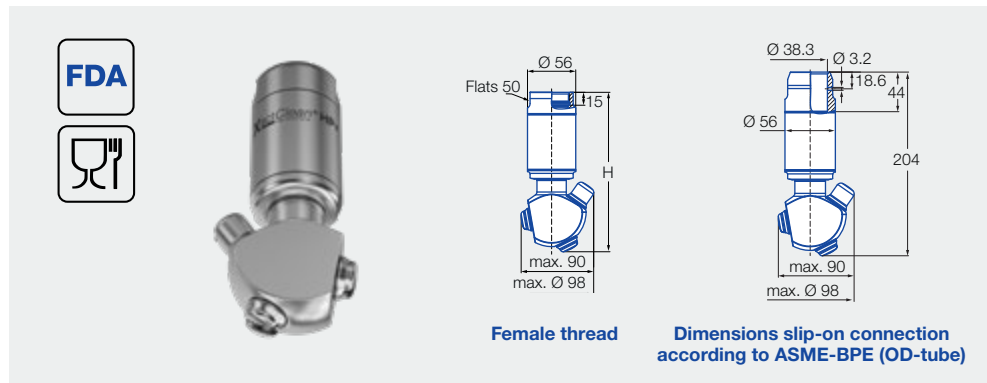
Rotation monitoring sensor:

Sensor compatible, Info: see page 35



Function video

Scan the QR-code or go to:
<https://www.lechler.com/de-en/medialibrary>



Nozzle dimensions [mm]

Connection	Max. Height [H]
AN	185
AQ	185
AS	187

Spray angle 	Ordering no.					E Ø [mm]	V [l/min]				Max. tank diameter [m]
	Type	Connection					p [bar] (p _{max} = 10 bar)				
		1 BSPP	1 1/4 BSPP	1 1/2 BSPP	1 1/2" Slip-on		2	3	5	at 40 psi [US gal./min]	
	5S5.293.1Y	AN	-	-	TF15	3.0	165	202	261	51.2	9.0
	5S5.323.1Y	AN	AQ	-	TF15	3.0	200	245	316	62.0	9.2
	5S5.363.1Y	-	AQ	AS	TF15	3.0	250	306	395	77.6	9.4
	5S5.294.1Y	AN	-	-	TF15	3.0	165	202	261	51.2	9.0
	5S5.324.1Y	AN	AQ	-	TF15	3.0	200	245	316	62.0	9.2
	5S5.364.1Y	-	AQ	AS	TF15	3.0	250	306	395	77.6	9.4
	5S5.295.1Y	AN	-	-	TF15	3.0	165	202	261	51.2	9.0
	5S5.325.1Y	AN	AQ	-	TF15	3.0	200	245	316	62.0	9.2
	5S5.365.1Y	-	AQ	AS	TF15	3.0	250	306	395	77.6	9.4
	5S5.296.1Y	AN	-	-	TF15	3.0	165	202	261	51.2	9.0
	5S5.326.1Y	AN	AQ	-	TF15	3.0	200	245	316	62.0	9.2
	5S5.366.1Y	-	AQ	AS	TF15	3.0	250	306	395	77.6	9.4
	5S5.299.1Y	AN	-	-	TF15	3.0	165	202	261	51.2	9.0
	5S5.329.1Y	AN	AQ	-	TF15	3.0	200	245	316	62.0	9.2
	5S5.369.1Y	-	AQ	AS	TF15	3.0	250	306	395	77.6	9.4
	5S5.399.1Y	-	AQ	AS	TF15	3.0	300	367	474	93.1	9.6

E = narrowest free cross section · NPT on request

The maximum tank diameter shown above applies for the recommended operating pressure and is indicative only. The cleaning result is also affected by the type of soiling.

Operation with compressed air only for short-term usage. Operation above the recommended operating pressure has negative effects on the cleaning result and wear.

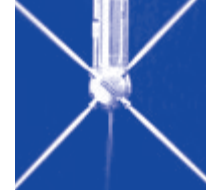
Slip-on information: – R-clip made of 316L SS is included (Ordering number: 095.013.1Y.06.45.0).
– Depending on diameter of the adapter the flow rate can increase due to leakage between connecting pipe and rotating cleaning nozzle.



High impact tank cleaning machine

»IntenseClean Hygienic«

Series 5TA



- Gear-controlled
- Particularly powerful solid jets
- Operating pressures up to 15 bar possible

Materials:

316L SS, 632 SS, PEEK, PTFE, Zirconium oxide, EPDM

Max. temperature:

95 °C

Recommended operating pressure:

5 bar

Installation:

Operation in every direction possible

Filtration:

Line strainer with a mesh size of 0.2 mm/80 mesh

Bearing:

Ball bearing

Weight:

0.9 kg

Rotation monitoring sensor:

Sensor compatible, Info: see page 35

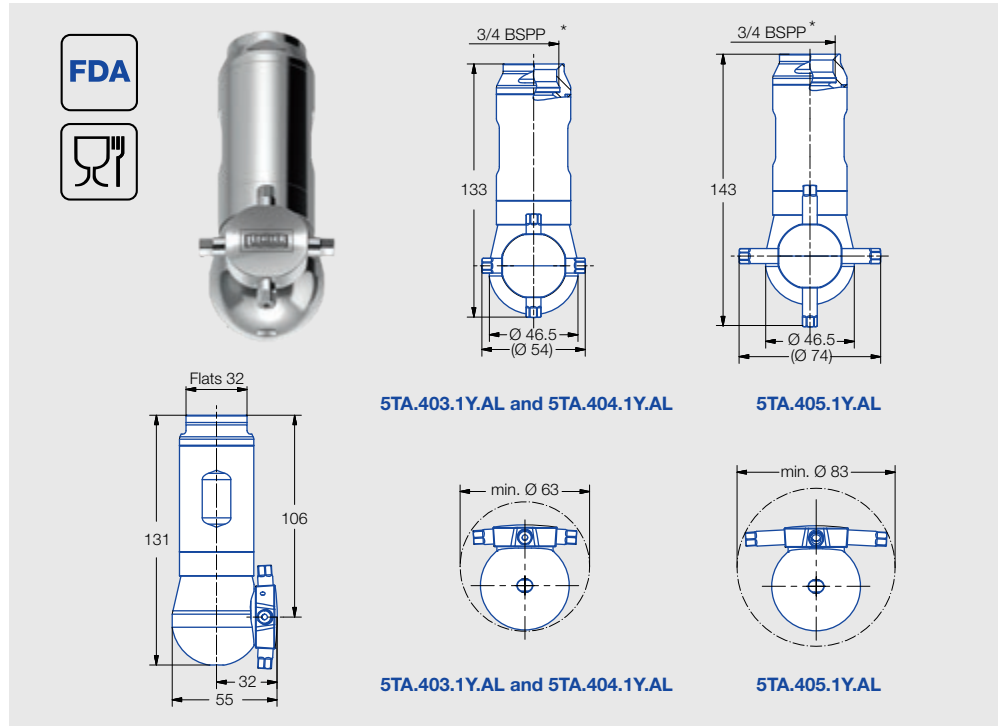


Function video

Scan the QR-code or go to:
<https://www.lechler.com/de-en/medialibrary>



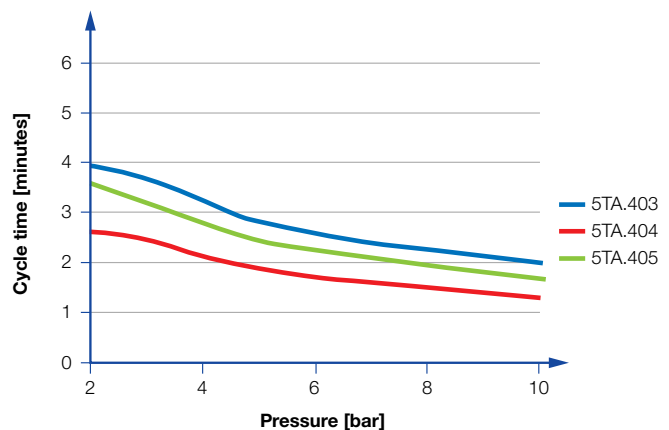
ATEX version on request



Spray angle	Ordering no. Type	E Ø [mm]	Number. Ø Nozzles [mm]	V̇ [l/min]				Max. tank diameter [m]
				p [bar] (p _{max} = 15 bar)				
				2	5	10	at 40 psi [US gal./min]	
360°	5TA.403.1Y.AL	1.5	4 x 3.0	24	39	55	7.7	12.0
	5TA.404.1Y.AL	1.5	4 x 4.0	35	56	79	11.0	12.5
	5TA.405.1Y.AL	1.5	4 x 5.0	50	79	111	15.5	13.0

E = narrowest free cross section · * Slip-on connection on request

The maximum tank diameter shown above applies for the recommended operating pressure and is indicative only. The cleaning result is also affected by the type of soiling.



Cycle time depending on pressure of series 5TA



High impact tank cleaning machine

»IntenseClean Hygienic«

Series 5TB



- Gear-controlled
- Particularly powerful solid jets
- Operating pressures up to 25 bar possible

Materials:

316L SS, 632 SS, PEEK, PTFE, Zirconium oxide, EPDM

Max. temperature:
95 °C

Recommended operating pressure:
5 bar

Installation:

Operation in every direction possible

Filtration:

Line strainer with a mesh size of 0.2 mm/80 mesh

Bearing:

Ball bearing

Weight:

4.0 kg

Rotation monitoring sensor:

Sensor compatible,
Info: see page 35

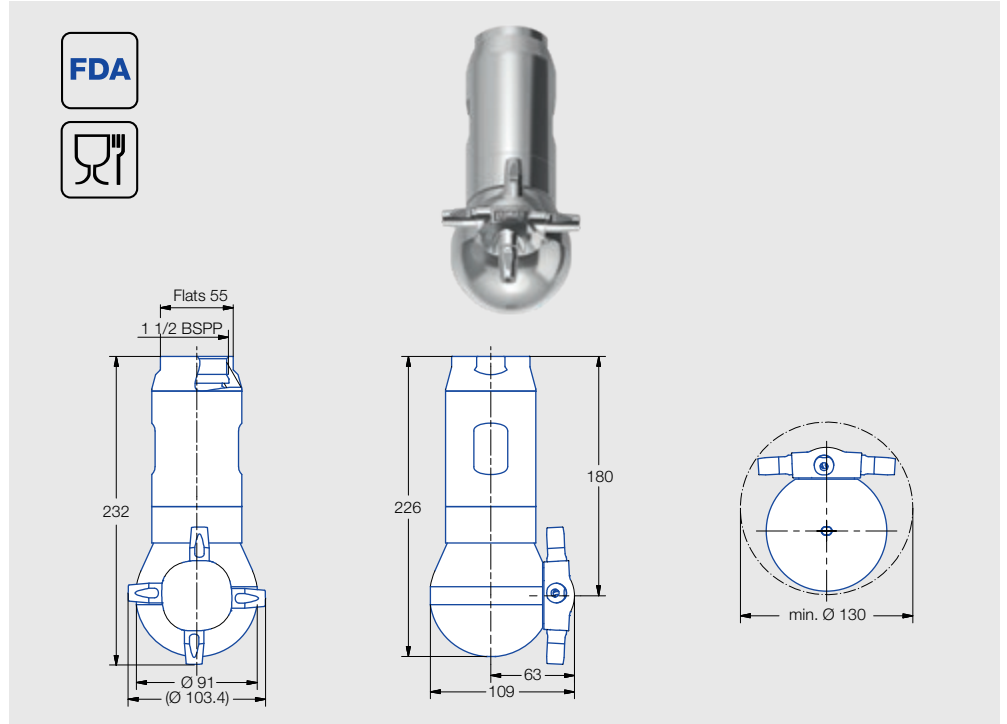


Function video

Scan the QR-code or go to:
<https://www.lechler.com/de-en/medialibrary>



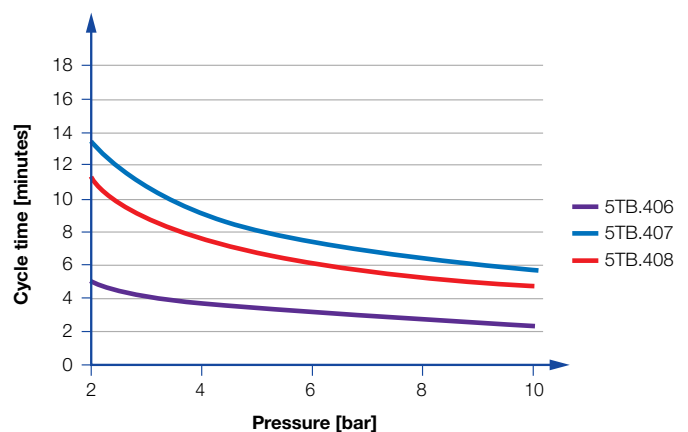
ATEX version on request



Spray angle	Ordering no. Type	E Ø [mm]	Number, Ø Nozzles [mm]	V [l/min]				Max. tank diameter [m]
				p [bar] (p _{max} = 25 bar)				
				2	5	10	at 40 psi [US gal./min]	
360°	5TB.406.1Y.AS	6.0	4 x 6.0	107	169	239	33.1	14.0
	5TB.407.1Y.AS	6.0	4 x 7.0	132	209	296	41.0	14.0
	5TB.408.1Y.AS	6.0	4 x 8.0	150	238	336	46.7	15.0

E = narrowest free cross section

The maximum tank diameter shown above applies for the recommended operating pressure and is indicative only. The cleaning result is also affected by the type of soiling.



Cycle time depending on pressure of series 5TB



High impact tank cleaning machine

»IntenseClean«

Series 5TM



- Gear driven
- Very powerful solid jets
- Popular and proven design

Materials:

316L, 304 SS, 302 SS, PTFE, PEEK

Max. temperature:

95 °C

Recommended operating pressure:

5 bar

Installation:

Operation in every direction possible

Filtration:

Line strainer with a mesh size of 0.2 mm/80 mesh

Bearing:

Ball bearing

Weight:

7.5 kg

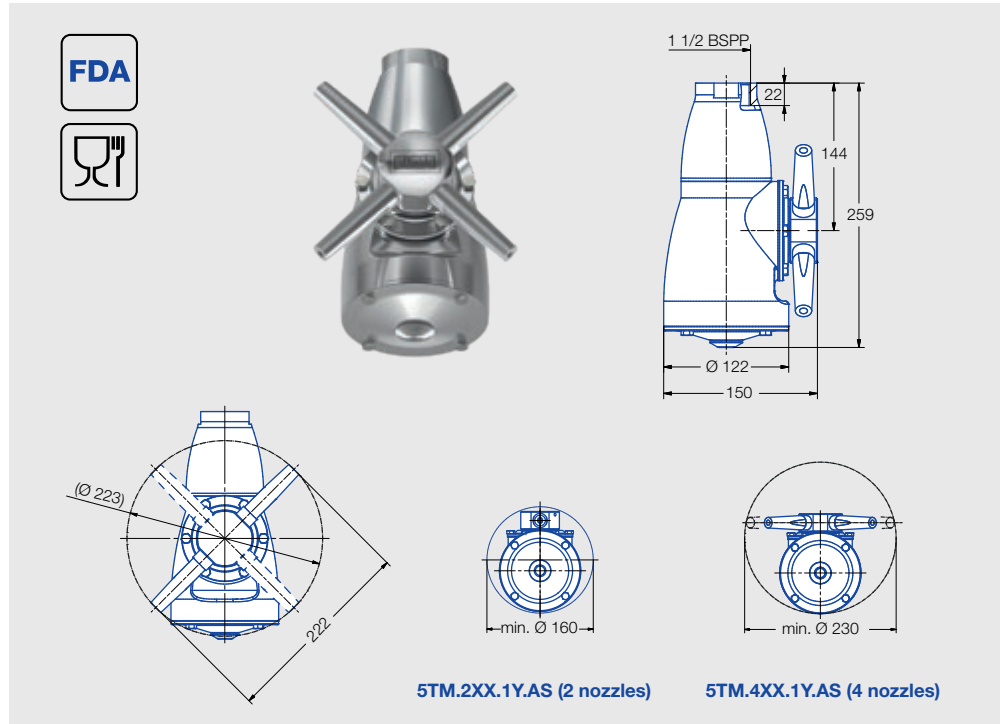
Rotation monitoring sensor:

Sensor compatible, Info: see page 35



Function video

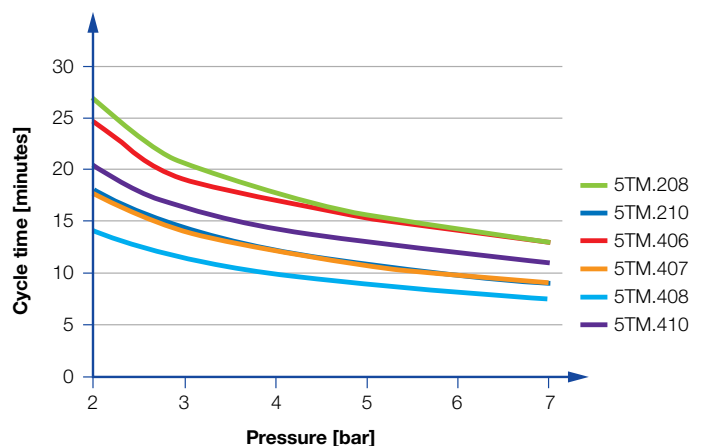
Scan the QR-code or go to:
<https://www.lechler.com/de-en/medialibrary>



Spray angle	Ordering no.	E Ø [mm]	Number, Ø Nozzles [mm]	V̇ [l/min]				Max. tank diameter [m]
				p [bar] (p _{max} = 7 bar)				
				2	3	5	at 40 psi [US gal./ min]	
360°	5TM.208.1Y.AS	8	2 x 8.0	125	153	198	39	24.0
	5TM.210.1Y.AS	10	2 x 10.0	160	196	253	50	24.0
	5TM.406.1Y.AS	6	4 x 6.0	140	171	221	43	18.0
	5TM.407.1Y.AS	7	4 x 7.0	170	208	269	53	20.0
	5TM.408.1Y.AS	8	4 x 8.0	200	245	316	62	22.0
	5TM.410.1Y.AS	10	4 x 10.0	260	318	411	81	23.0

E = narrowest free cross-section

The maximum tank diameter shown above applies for the recommended operating pressure and is indicative only. The cleaning result is also affected by the type of soiling.

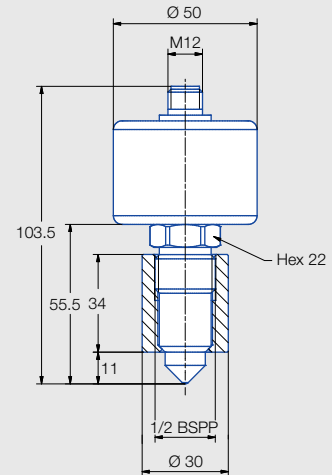


Cycle time depending on pressure of series 5TM



Rotation Monitoring Sensor

Cleaning processes can be easily and reliably monitored with the Lechler rotation monitoring sensor. The sensor records the quantity of liquid flowing over the sensor tip. With the aid of the software*, the sensor function can be specifically adjusted to the tank size, pressure and nozzle.



Electrical data

- Supply voltage:
Ub = 24 V +/-20%
(18 to 32 VDC)
- Power requirements:
< 20 mA
- Output signal:
PNP, 50 mA short circuit protected, active

Operating conditions

- Ambient temperature:
-10° up to +60°C
- Process temperature:
0° up to +100°C

Materials

- Socket (G 1/2"): 316L SS
- Probe tip: PEEK
- Body: 303 SS

Operating principle

- Capacitive

Advantages

- Reliable recognition of any faults during the cleaning cycle
- The process connection of the sensor is in compliance with the hygiene guidelines of the EHEDG
- Simple operation
- Can be connected to PLC
- Only needs to be set up once using the software provided
- Can be specifically adapted to each cleaning task



Ordering data

Rotation monitoring sensor with weld-in sleeve
Cable set for first-time operation

Ordering no.

050.040.00.00.00.0
050.040.00.00.01.0

Rotation monitoring sensor with weld-in sleeve



Cable set for first-time operation/installation



Main adapter with cable

USB adapter with cable

Programming adapter Y-piece

Weld-in mandrel

* Software download (free of charge): www.lechler.com/software/rotationcontrolsystem

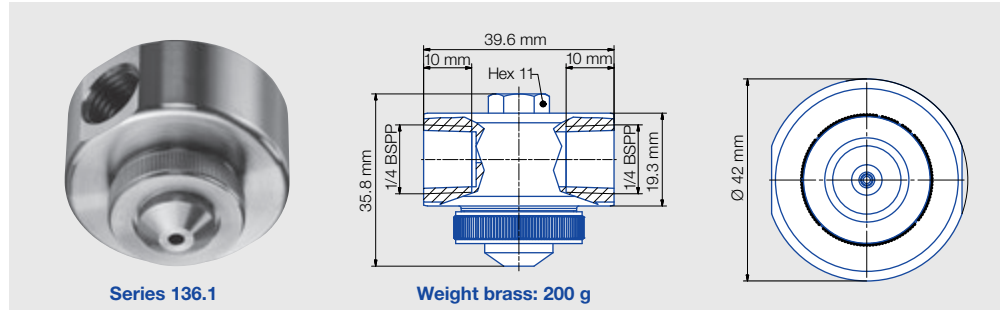


Pneumatic atomizing nozzles, **Full cone,** pressure principle, internal mixing **Series 136.1**

Fine full cone atomization and fogging with air or gas. Liquid pressure principle. Internal mixing of fluids.

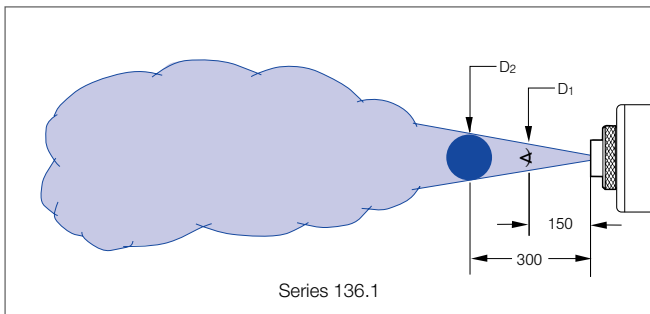
Applications:

Humidification of air, cooling, disinfection (e.g. bottles), coating, dosing, release agent applications.

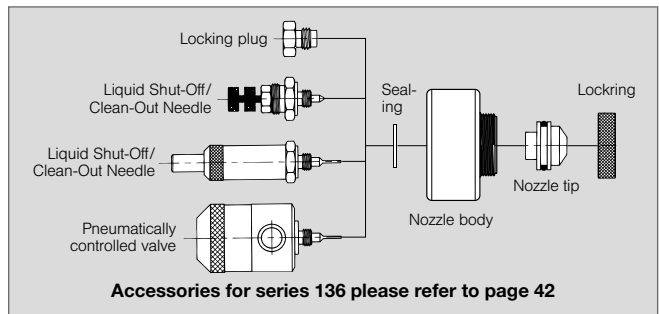


Series 136.1

Weight brass: 200 g



Series 136.1



Accessories for series 136 please refer to page 42

Spray angle	Ordering no.		E Ø [mm]	Liquid pressure p [bar]												Spray dimensions				
	Type	Mat. no.		0.7			1.5			3.0			4.0			p Air [bar]	p Water [bar]	D ₁ [mm]	D ₂ [mm]	
		1Y		35	p Air [bar]	V̇ Water [l/h]	V̇ Air [m³/h]	p Air [bar]	V̇ Water [l/h]	V̇ Air [m³/h]	p Air [bar]	V̇ Water [l/h]	V̇ Air [m³/h]	p Air [bar]	V̇ Water [l/h]					V̇ Air [m³/h]
20°	136.115.xx.A2	○	○	0.50	0.40	5.90	0.30	1.40	5.80	0.80	2.40	9.10	1.10	3.00	11.00	1.20	0.80	0.70	60	100
					0.80	3.80	0.60	1.80	4.10	1.00	2.80	7.50	1.20	3.40	9.60	1.40	1.80	1.50	60	95
1.20					1.70	0.90	2.20	2.20	1.40	3.20	5.90	1.50	3.80	8.20	1.60	2.60	2.00	60	100	
-					-	-	2.60	1.20	1.70	3.60	4.40	1.80	4.20	6.80	1.90	3.20	3.00	55	95	
-					-	-	-	-	-	4.00	2.90	2.10	4.60	5.50	2.20	4.40	4.00	55	100	
-					-	-	-	-	-	4.40	2.00	2.50	5.00	4.10	2.50	-	-	-	-	-
○		○	0.50	0.80	4.70	1.50	1.20	7.00	1.80	2.80	9.10	3.30	3.40	10.60	3.90	1.40	0.70	55	90	
				1.20	4.40	1.90	1.60	6.60	2.20	3.20	8.70	3.70	3.80	10.30	4.30	2.20	1.50	55	95	
				1.60	4.00	2.30	2.00	6.20	2.60	3.60	8.40	4.10	4.20	9.90	4.60	2.80	2.00	55	100	
				2.00	3.50	2.60	2.40	5.80	3.00	4.00	8.00	4.50	4.60	9.60	5.00	3.40	3.00	60	100	
				2.40	3.00	3.00	2.80	5.40	3.40	4.40	7.70	4.80	5.00	9.30	5.40	4.20	4.00	60	100	
				2.80	2.70	3.20	3.20	4.90	3.70	4.80	7.30	5.20	5.40	8.90	5.80	-	-	-	-	-
○	○	0.50	3.20	2.00	3.70	3.60	4.40	4.10	5.20	7.00	5.60	5.80	8.60	6.10	-	-	-	-		
			3.60	1.60	4.10	4.00	3.90	4.50	5.60	6.60	5.90	-	-	-	-	-	-	-	-	
			4.00	1.30	4.50	4.40	3.50	4.80	6.00	6.20	6.30	-	-	-	-	-	-	-	-	
			4.40	1.00	4.90	4.80	3.10	5.20	-	-	-	-	-	-	-	-	-	-	-	
			4.80	0.60	5.20	5.20	2.70	5.60	-	-	-	-	-	-	-	-	-	-	-	-
			-	-	-	5.60	2.30	5.90	-	-	-	-	-	-	-	-	-	-	-	-
			-	-	-	6.00	1.90	6.30	-	-	-	-	-	-	-	-	-	-	-	-
			-	-	-	-	-	-	-	-	-	-	-	-	-	-	-	-	-	-

E = narrowest free cross section (water)


Continued on next page.

Example **Type** + **Material no. (xx) = Ordering no.**
for ordering: 136.115.xx.A2 + 1Y = 136.115.1Y.A2



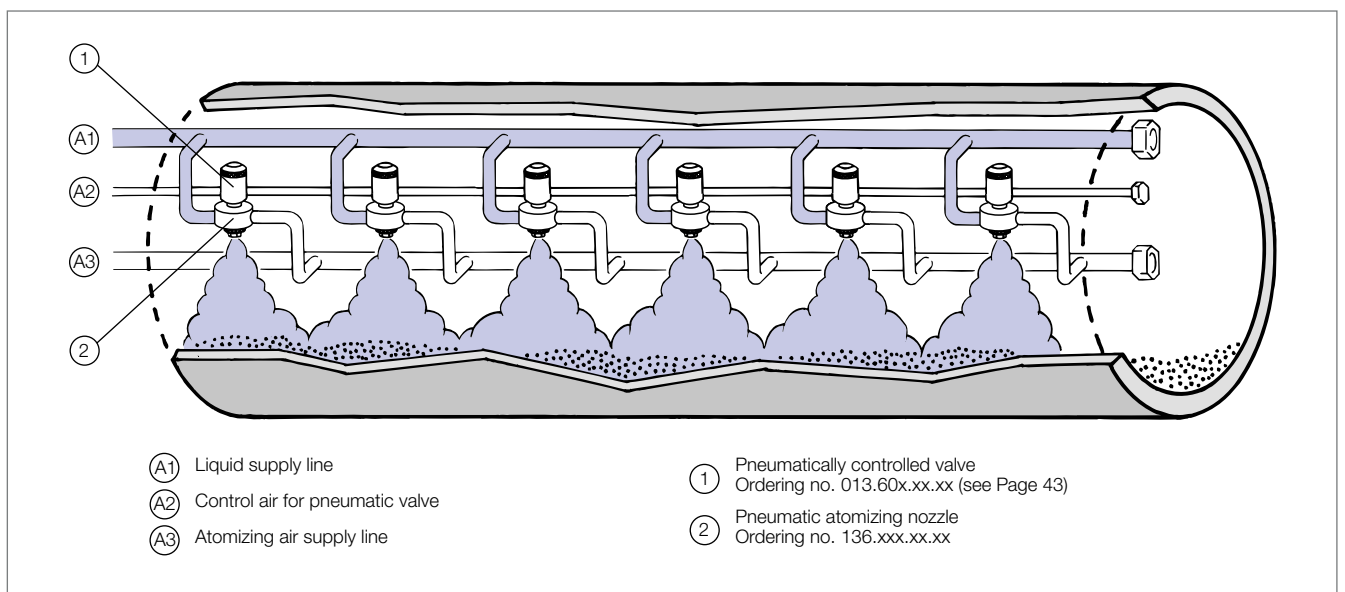
Pneumatic atomizing nozzles, **Full cone,** pressure principle, internal mixing **Series 136.1**



Spray angle 	Ordering no.		E Ø [mm]	Liquid pressure p [bar]												Spray dimensions					
	Type	Mat. no.		0.7			1.5			3.0			4.0			p Air [bar]	p Water [bar]	D ₁ [mm]	D ₂ [mm]		
		1Y		35	p Air [bar]	V̇ Water [l/h]	V̇ n Air [m³/h]	p Air [bar]	V̇ Water [l/h]	V̇ n Air [m³/h]	p Air [bar]	V̇ Water [l/h]	V̇ n Air [m³/h]	p Air [bar]	V̇ Water [l/h]					V̇ n Air [m³/h]	
		316L SS		Brass plated																	
20°	136.134.xx.A2	○	○	0.7	1.20	13.20	2.70	2.00	19.40	3.90	3.00	28.30	5.20	3.80	32.60	6.20	1.80	0.70	55	95	
					1.60	12.40	3.30	2.40	18.10	4.40	3.40	27.50	5.70	4.20	32.00	6.80	2.80	1.50	60	105	
					2.00	11.80	3.90	2.80	17.30	4.90	3.80	26.70	6.30	4.60	31.30	7.30	3.80	2.00	60	105	
					2.40	11.40	4.40	3.20	16.70	5.50	4.20	25.90	6.80	5.00	30.60	7.80	5.20	3.00	65	110	
					2.80	11.10	4.90	3.60	16.10	6.00	4.60	25.00	7.30	5.40	29.90	8.40	6.00	4.00	65	110	
					3.20	10.80	5.50	4.00	15.60	6.50	5.00	24.20	7.80	5.80	29.30	8.90	-	-	-	-	-
					3.60	10.60	6.00	4.40	15.20	7.00	5.40	23.60	8.40	-	-	-	-	-	-	-	-
					4.00	10.40	6.50	4.80	15.00	7.60	5.80	23.10	8.90	-	-	-	-	-	-	-	-
					4.40	10.10	7.00	5.20	14.60	8.10	-	-	-	-	-	-	-	-	-	-	-
					4.80	9.90	7.60	5.60	14.10	8.60	-	-	-	-	-	-	-	-	-	-	-
	5.20	9.50	8.10	6.00	13.80	9.10	-	-	-	-	-	-	-	-	-	-	-				
	5.60	9.00	8.60	-	-	-	-	-	-	-	-	-	-	-	-	-	-				
	6.00	8.50	9.20	-	-	-	-	-	-	-	-	-	-	-	-	-	-				
	136.142.xx.A2	○	○	2.5	1.40	24.20	5.10	1.60	53.40	4.70	3.20	70.80	8.00	3.80	93.20	9.20	0.80	0.70	60	100	
					1.80	20.40	6.30	2.00	42.60	5.90	3.60	62.50	9.20	4.20	83.10	10.10	1.60	1.50	65	105	
					2.20	20.00	7.20	2.40	35.30	7.20	4.00	55.70	10.60	4.60	75.30	11.30	3.00	2.00	60	105	
					2.60	19.30	8.20	2.80	30.40	8.40	4.40	49.30	11.70	5.00	69.00	12.50	4.00	3.00	65	110	
					3.00	17.60	9.30	3.20	28.60	9.50	4.80	44.60	12.90	5.40	63.40	13.70	6.00	4.00	65	110	
					3.40	16.50	10.40	3.60	28.20	10.50	5.20	41.90	14.10	5.80	57.50	14.90	-	-	-	-	
					3.80	17.00	11.40	4.00	27.30	11.50	5.60	40.40	15.10	-	-	-	-	-	-	-	
4.20					16.30	12.40	4.40	25.90	12.50	6.00	39.70	16.10	-	-	-	-	-	-	-		
4.60					15.10	13.30	4.80	24.30	13.50	-	-	-	-	-	-	-	-	-	-		
5.00					14.00	14.30	5.20	22.30	14.60	-	-	-	-	-	-	-	-	-	-		
5.40	13.10	15.30	5.60	21.80	15.70	-	-	-	-	-	-	-	-	-	-						
5.80	12.40	16.20	6.00	21.40	16.70	-	-	-	-	-	-	-	-	-	-						

E = narrowest free cross section (water)

Example **Type** + **Material no. (xx)** = **Ordering no.**
for ordering: 136.134.xx.A2 + 1Y = **136.134.1Y.A2**



Cereal dampening in a mixing drum



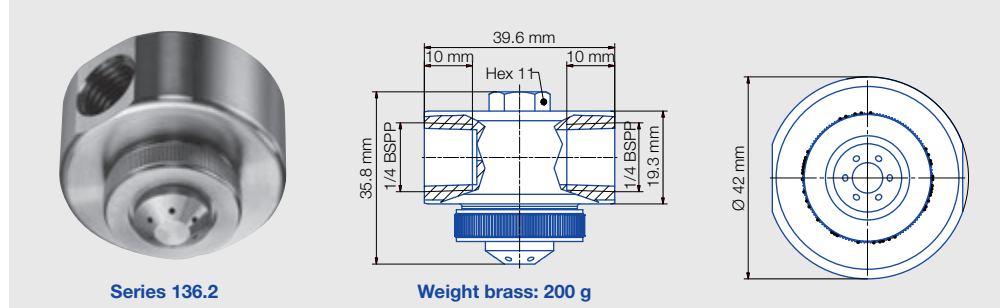
Pneumatic atomizing nozzles, **Full cone,** pressure principle, internal mixing **Series 136.2**



Fine full cone atomization and fogging with air or gas. Especially wide spray angle of 60°. Pressure principle. Internal mixing of fluids.

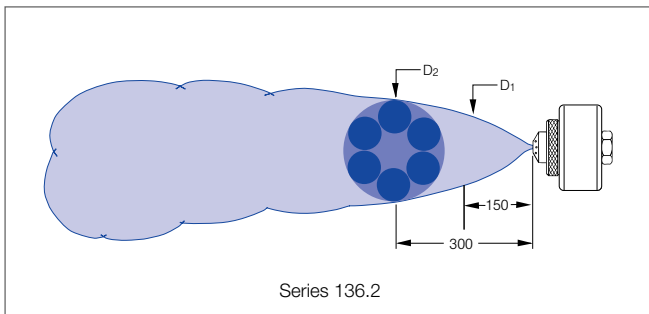
Applications:

Humidification of air, cooling, disinfection (e.g. bottles), coating, dosing, release agent applications.

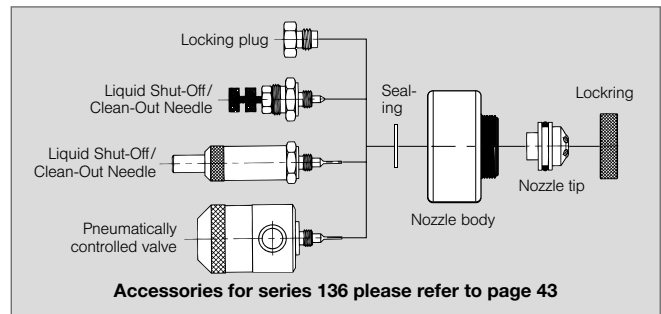


Series 136.2


Weight brass: 200 g



Series 136.2



Accessories for series 136 please refer to page 43

Spray angle 	Ordering no.		E Ø [mm]	Liquid pressure p [bar]												Spray dimensions				
	Type	Mat. no.		0.7			1.5			3.0			4.0			p Air [bar]	p Water [bar]	D ₁ [mm]	D ₂ [mm]	
		1Y		35	p Air [bar]	V̇ Water [l/h]	V̇ Air [m³/h]	p Air [bar]	V̇ Water [l/h]	V̇ Air [m³/h]	p Air [bar]	V̇ Water [l/h]	V̇ Air [m³/h]	p Air [bar]	V̇ Water [l/h]					V̇ Air [m³/h]
60°	136.215.xx.A2	○	○	0.5	1.00	3.00	1.30	1.60	5.80	1.70	2.80	8.50	2.40	3.80	9.40	3.10	1.00	0.70	200	330
					1.20	1.80	1.50	1.80	4.90	1.90	3.20	7.20	2.80	4.20	8.20	3.50	1.60	1.50	230	380
		1.40	0.70		1.80	2.00	3.80	2.10	3.60	5.70	3.20	4.60	6.90	3.90	2.40	2.00	230	385		
		-	-		-	2.20	2.80	2.30	4.00	4.00	3.60	5.00	5.40	4.20	3.20	3.00	245	390		
		-	-		-	2.40	1.70	2.50	4.40	2.20	4.10	5.40	3.80	4.70	4.20	4.00	250	410		
		-	-		-	2.60	0.80	2.80	4.80	0.80	4.50	5.80	2.30	5.20	-	-	-	-	-	-
	136.222.xx.A2	○	○	1.0	0.80	17.50	2.80	1.60	25.90	4.00	3.00	40.40	5.80	3.80	54.90	6.40	0.80	0.70	250	450
					1.00	6.00	4.30	1.80	14.70	5.30	3.20	31.50	6.90	4.00	45.60	7.30	1.60	1.50	245	465
		-	-		-	2.00	6.70	6.70	3.40	22.20	8.20	4.20	37.60	8.50	2.30	2.00	245	465		
		-	-		-	2.20	1.90	8.10	3.60	14.60	9.50	4.40	29.60	9.70	3.20	3.00	250	465		
		-	-		-	-	-	-	3.80	8.50	11.00	4.60	21.60	11.20	4.20	4.00	245	465		
		-	-		-	-	-	-	4.00	4.50	12.30	4.80	15.30	12.40	-	-	-	-	-	-
136.231.xx.A2	○	○	1.4	1.60	25.60	5.10	2.60	44.20	7.00	3.60	93.70	7.90	4.20	132.90	7.30	2.00	0.70	235	380	
				2.00	17.80	6.20	3.00	33.00	8.20	4.00	78.30	9.30	4.60	117.20	9.00	2.60	1.50	245	415	
	2.40	11.30		7.20	3.40	24.70	9.20	4.40	65.80	10.60	5.00	101.10	10.40	2.40	2.00	255	420			
	2.80	6.90		8.10	3.80	18.10	10.20	4.80	54.90	11.90	5.40	87.90	11.80	3.60	3.00	255	425			
	-	-		-	4.20	13.20	11.20	5.20	45.60	13.00	5.80	76.60	13.20	4.20	4.00	265	430			
	-	-		-	4.60	9.30	12.00	5.60	38.00	14.10	6.00	71.20	13.80	-	-	-	-	-	-	

E = narrowest free cross section (water)

Example Type + Material no. (xx) = Ordering no.
for ordering: 136.215.xx.A2 + 1Y = 136.215.1Y.A2



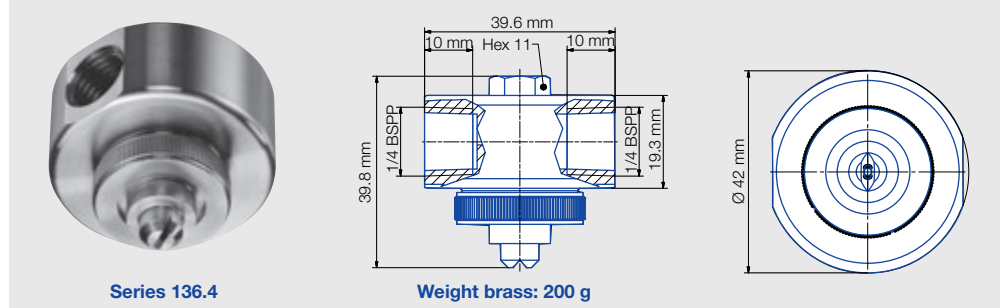
Pneumatic atomizing nozzles, Flat fan, pressure principle, internal mixing Series 136.4



Particularly fine flat fan atomization with air or gas. Pressure principle. Internal mixing of fluids.

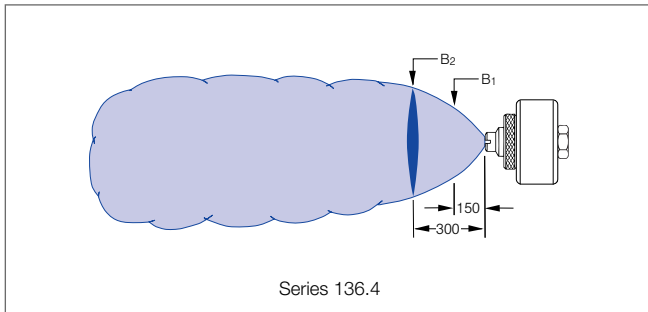
Applications:

Belt lubrication, cooling, humidification of goods, coating, dosing (e.g. Conveyor belt), release agent applications.

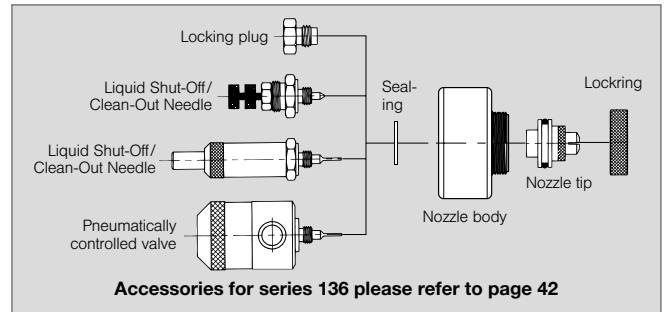


Series 136.4

Weight brass: 200 g



Series 136.4



Accessories for series 136 please refer to page 42

Spray angle	Ordering no.		E Ø [mm]	Liquid pressure p [bar]												Spray dimensions					
	Type	Mat. no.		0.7			1.5			3.0			4.0			p Air [bar]	p Water [bar]	B ₁ [mm]	B ₂ [mm]		
		1Y		35	p Air [bar]	V Water [l/h]	V _v Air [m³/h]	p Air [bar]	V Water [l/h]	V _v Air [m³/h]	p Air [bar]	V Water [l/h]	V _v Air [m³/h]	p Air [bar]	V Water [l/h]					V _v Air [m³/h]	
45°	136.414.xx.A2	316L SS	Brass plated	0.7	1.00	7.70	1.30	1.40	14.30	1.50	2.20	22.40	2.00	3.00	25.10	2.50	1.40	0.70	85	125	
					1.20	6.00	1.50	1.60	13.00	1.60	2.60	20.00	2.30	3.40	23.00	2.80	2.40	1.50	100	145	
1.40					4.20	1.70	1.80	11.60	1.80	3.00	17.70	2.60	3.80	20.90	3.10	3.20	2.00	105	155		
1.60					2.70	1.90	2.00	10.20	2.00	3.40	15.50	3.00	4.20	18.90	3.50	3.80	3.00	120	170		
1.80					1.30	2.10	2.20	8.90	2.20	3.80	13.30	3.40	4.60	16.90	3.80	4.60	4.00	130	210		
-					-	-	2.40	7.40	2.40	4.20	11.00	3.70	5.00	14.90	4.20	-	-	-	-	-	-
-					-	-	2.60	5.90	2.60	4.60	8.80	4.10	5.40	12.80	4.60	-	-	-	-	-	-
-					-	-	2.80	4.60	2.80	5.00	6.60	4.50	5.80	10.80	5.00	-	-	-	-	-	-
-					-	-	3.00	3.20	3.00	5.40	4.30	4.90	6.00	9.80	5.20	-	-	-	-	-	-
-					-	-	3.20	2.10	3.20	5.80	2.50	5.30	-	-	-	-	-	-	-	-	-
-	-	-	3.40	1.10	3.40	6.00	1.60	5.50	-	-	-	-	-	-	-	-	-				
136.443.xx.A2	316L SS	Brass plated	1.0	1.20	13.90	1.50	1.60	26.60	1.60	3.00	37.10	2.60	3.60	45.60	2.90	1.20	0.70	110	165		
				1.40	11.90	1.70	1.80	24.30	1.80	3.40	33.10	3.00	4.00	41.90	3.30	2.00	1.50	115	190		
				1.60	9.50	1.90	2.00	22.00	2.00	3.80	29.50	3.40	4.40	38.30	3.70	2.80	2.00	145	190		
				1.80	7.80	2.10	2.20	19.90	2.20	4.20	26.20	3.80	4.80	35.00	4.00	3.80	3.00	150	210		
				-	-	-	2.40	18.00	2.40	4.60	23.00	4.20	5.20	31.80	4.50	4.80	4.00	160	230		
				-	-	-	2.60	16.20	2.60	5.00	20.20	4.60	5.60	29.00	4.90	-	-	-	-	-	
				-	-	-	2.80	14.40	2.80	5.40	17.60	4.90	6.00	26.20	5.20	-	-	-	-	-	
				-	-	-	3.00	12.80	3.00	5.80	14.90	5.30	-	-	-	-	-	-	-	-	
				-	-	-	3.20	11.30	3.20	6.00	14.10	5.50	-	-	-	-	-	-	-	-	
				-	-	-	3.40	9.90	3.40	-	-	-	-	-	-	-	-	-	-	-	-
-	-	-	3.60	8.80	3.60	-	-	-	-	-	-	-	-	-	-	-	-				

E = narrowest free cross section (water)


Continued on next page.

Example for ordering: Type 136.414.xx.A2 + Material no. (xx) = Ordering no. + 1Y = 136.414.1Y.A2



Pneumatic atomizing nozzles, Flat fan, pressure principle, internal mixing Series 136.4



Spray angle 	Ordering no.		E Ø [mm]	Liquid pressure p [bar]												Spray dimensions					
	Type	Mat. no.		0.7			1.5			3.0			4.0			p Air [bar]	p Water [bar]	B ₁ [mm]	B ₂ [mm]		
		1Y		35	p Air [bar]	V̇ Water [l/h]	V̇ _n Air [m³/h]	p Air [bar]	V̇ Water [l/h]	V̇ _n Air [m³/h]	p Air [bar]	V̇ Water [l/h]	V̇ _n Air [m³/h]	p Air [bar]	V̇ Water [l/h]					V̇ _n Air [m³/h]	
		316L SS		Brass plated																	
45°	136.462.xx.A2	○	○	1.5	1.20	19.00	2.60	2.00	22.00	2.00	3.00	61.80	4.00	3.80	76.10	4.60	1.20	0.70	120	140	
					1.60	12.20	3.40	2.40	18.00	2.40	3.40	51.90	4.80	4.00	70.40	5.10	2.40	1.50	120	170	
					2.00	9.40	4.10	2.80	14.40	2.80	3.80	44.60	5.80	4.20	65.60	5.50	3.20	2.00	120	175	
					2.40	7.10	4.80	3.20	11.30	3.20	4.20	39.00	6.60	4.40	61.30	5.90	3.80	3.00	140	205	
					2.80	5.70	5.40	3.60	8.80	3.60	4.60	33.40	7.40	4.60	57.30	6.40	6.00	4.00	145	205	
					3.20	5.00	6.00	4.00	8.10	3.90	5.00	29.40	8.10	4.80	54.10	6.70					
					3.60	3.60	6.60	4.40	6.20	4.30	5.40	25.50	8.90	5.00	51.30	7.20					
					4.00	3.20	7.20	4.80	4.60	4.60	5.80	22.00	9.60	5.20	49.30	7.70					
					4.40	2.20	7.80	5.20	3.20	4.90	6.00	20.60	9.90	5.40	46.50	8.20					
					-	-	-	5.60	1.60	5.30	-	-	-	5.60	43.70	8.60					
					-	-	-	5.80	0.80	5.40	-	-	-	5.80	41.30	8.90					
					-	-	-	-	-	-	-	-	-	6.00	39.00	9.30					
					60°	136.425.xx.A2	○	○	0.5	0.80	6.50	1.20	1.40	9.40	1.70	2.40	13.20	2.50	2.40	16.10	2.50
1.20	5.50	1.60	1.80	8.70						2.10	2.60	12.90	2.70	2.80	15.50	2.90	2.20	1.50	165	255	
1.60	4.70	1.90	2.20	7.90						2.40	3.00	12.30	3.00	3.20	15.00	3.20	3.00	2.00	170	265	
2.00	4.00	2.30	2.60	7.20						2.70	3.40	11.80	3.40	3.60	14.50	3.50	3.40	3.00	200	330	
2.40	3.20	2.60	3.00	6.40						3.10	3.80	11.10	3.70	4.00	13.90	3.80	5.60	4.00	200	330	
2.80	2.60	2.90	3.40	5.70						3.40	4.20	10.40	4.00	4.40	13.40	4.10					
3.00	2.20	3.10	3.80	5.10						3.70	4.60	9.80	4.30	4.80	12.80	4.50					
-	-	-	4.00	4.80						3.90	5.00	9.20	4.60	5.20	12.20	4.80					
-	-	-	4.40	4.20						4.20	5.40	8.60	5.00	5.60	11.70	5.10					
-	-	-	4.80	3.60						4.50	5.80	8.10	5.30	6.00	11.20	5.40					
-	-	-	5.20	2.80						4.80	6.00	7.80	5.40	-	-	-					
-	-	-	5.60	2.20						5.10	-	-	-	-	-	-					
-	-	-	6.00	1.60		5.50	-	-	-	-	-	-									
136.452.xx.A2	○	○	1.5	1.00		18.80	3.90	1.80	31.00	5.30	3.20	50.10	7.70	3.80	70.70	8.20	1.00	0.70	130	185	
				1.40		8.60	5.70	2.00	25.40	6.30	3.60	39.50	9.40	4.20	58.60	9.60	1.80	1.50	150	240	
				1.80		7.40	7.00	2.20	20.10	7.20	4.00	31.30	11.20	4.60	48.60	11.20	2.60	2.00	155	245	
				2.20		4.10	8.40	2.40	15.50	8.00	4.40	24.00	12.90	5.00	41.20	13.10	3.60	3.00	175	280	
				2.60		1.00	9.80	2.60	12.40	8.90	4.80	17.70	14.50	5.40	33.60	14.80	5.00	4.00	180	285	
				2.80		0.10	10.30	2.80	10.40	9.60	5.20	13.40	16.00	5.80	27.50	16.40					
				-		-	-	-	-	-	5.60	10.60	17.50	6.00	24.40	17.20					
				-		-	-	-	-	-	6.00	8.60	18.80	-	-	-					
				-	-	-	-	-	-	-	-	-	-	-	-						
136.433.xx.A2	○	○	0.4	1.00	11.60	2.00	1.80	18.30	2.80	3.00	31.00	3.70	3.80	37.50	4.40	1.40	0.70	150	210		
				1.20	8.10	2.40	2.00	15.30	3.20	3.40	25.40	4.40	4.20	32.40	5.00	2.20	1.50	185	255		
				1.40	5.30	2.80	2.20	12.20	3.60	3.80	20.60	5.10	4.60	27.70	5.70	3.00	2.00	205	300		
				1.60	3.70	3.20	2.40	9.80	4.00	4.20	16.30	5.90	5.00	23.40	6.50	3.80	4.00	300	485		
				-	-	-	2.60	7.60	4.30	4.60	12.50	6.60	5.40	19.40	7.20	5.20	4.00	260	395		
				-	-	-	2.80	5.90	4.70	5.00	9.30	7.30	5.80	15.90	7.90						
				-	-	-	3.00	4.40	5.00	5.40	6.50	8.00	6.00	14.20	8.30						
				-	-	-	-	-	-	-	-	-	-	-	-						
				-	-	-	-	-	-	-	-	-	-	-	-						
				-	-	-	-	-	-	-	-	-	-	-	-						

E = narrowest free cross section (water)

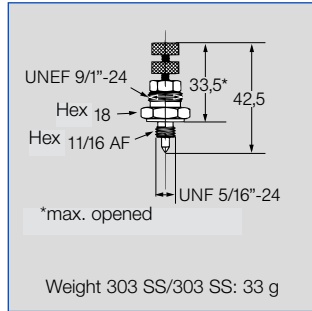
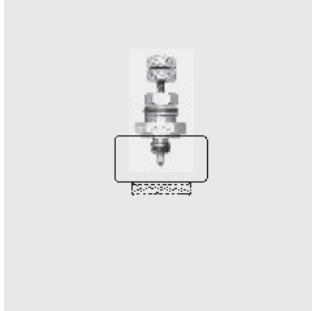
Example Type + Material no. (xx) = Ordering no.
for ordering: 136.462.xx.A2 + 1Y = 136.462.1Y.A2



Accessories for pneumatic atomizing nozzles

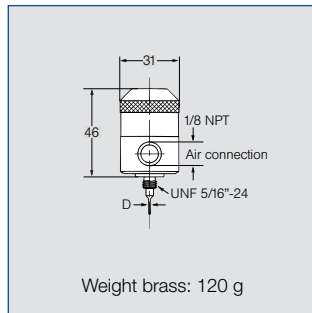
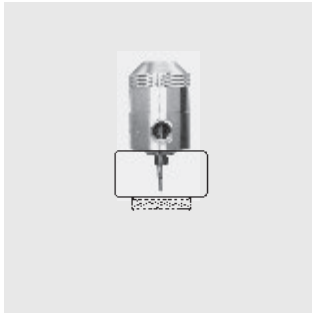
Series 136

Regulating device and shutting-off needle:



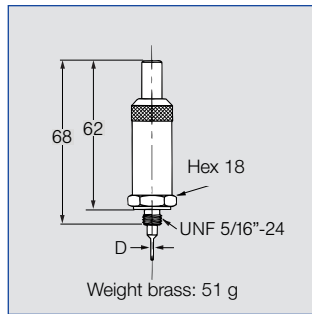
Ordering no.		Type	Mat. no.	For all nozzles of the series 136
			16	
			303 SS	
015.600	<input type="radio"/>			

Pneumatically controlled valve Opening pressure 2.1 bar, max. 180 cycles/min.



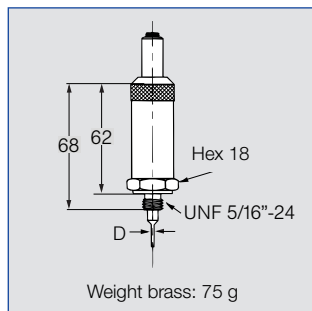
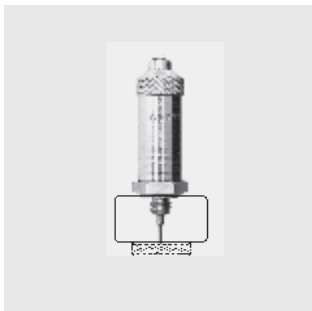
Ordering no.		Type	Mat. no.		For nozzles	Needle diameter D [mm]
			303 SS	Brass plated		
			16	35		
013.601.xx.10	<input type="radio"/>		<input type="radio"/>		136. xx1	2.1
013.602.xx.10	<input type="radio"/>		<input type="radio"/>		136. xx2	1.2
013.604.xx.10	<input type="radio"/>		<input type="radio"/>		136. xx4	0.6

Quick-cleaning device



Ordering no.		Type	Mat. no.		For nozzles	Needle diameter D [mm]
			303 SS	Brass plated		
			16	35		
013.601.xx.20	<input type="radio"/>		<input type="radio"/>		136. xx1	2.1
013.602.xx.20	<input type="radio"/>		<input type="radio"/>		136. xx2	1.2
013.604.xx.20	<input type="radio"/>		<input type="radio"/>		136. xx4	0.6

Regulating device with quick-cleaning needle



Ordering no.		Type	Mat. no.		For nozzles	Needle diameter D [mm]
			303 SS	Brass plated		
			16	35		
013.601.xx.20	<input type="radio"/>		<input type="radio"/>		136. xx1	2.1
013.602.xx.20	<input type="radio"/>		<input type="radio"/>		136. xx2	1.2
013.604.xx.20	<input type="radio"/>		<input type="radio"/>		136. xx4	0.6

Example Type + Material no. (xx) = Ordering no.
for ordering: 013.601.xx.10 + 16 = 013.601.16.10



Pneumatic atomizing nozzles, for atomizing viscous media Series 176 ViscoMist™

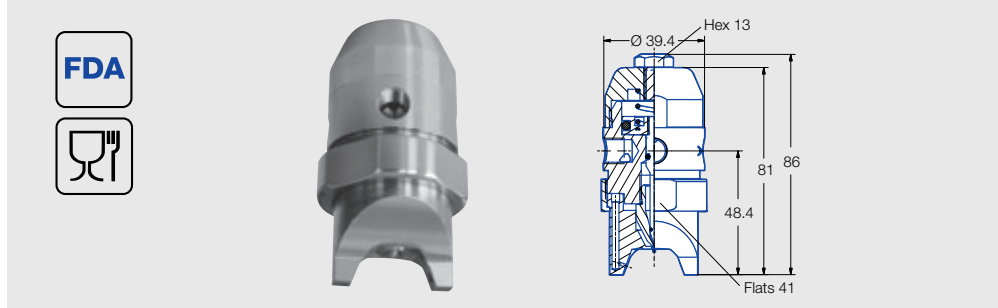


The ViscoMist™ series offers independent regulation of both atomizing air and fan air, which provides the user with infinite control over the viscous fluid's spray pattern and droplet size.

The ViscoMist™ nozzle features a standard 'Liquid Shut-Off/ Clean-Out Needle' function. This design element activates and deactivates the liquid supply, while simultaneously removing excess fluid from the fluid nozzle preventing clogging. This feature is especially vital when the viscous liquids are being applied in continuous process environments.

The modular design of the ViscoMist™ allows maximum flexibility to meet the exact spray requirements.

Interchangeable air caps and various flow capacities are available to suit any spraying application needs.



One nozzle – three spray characters

- – Solid stream
- Full cone
- Flat fan
- Independent regulation of liquid, atomizing air and fan air
- Fluid circulation possible (Nozzle body with 5 connections)

Outside mixing to spray viscous liquids, for example:

- Coating
- Moisturising
- Lubrication
- Glazing
- Sanitising

Fluid cap options

Ø 0.38 mm to 2.54 mm

Valve position

Normally closed, fail-safe with loss of air

Signal air pressure

Min. 2 bar
Max. 3 bar

Cycles per minute (short term)

180 cycles/min

Material

1Y (316L SS)

Ports

01 (1/8" NPT (F))
11 (1/8 BSPP (F))

Flow rate range

- Water: 7.8 to 307 l/h, at 2 bar
- Air: 7.5 to 32 m³/h i.N., at 2 bar

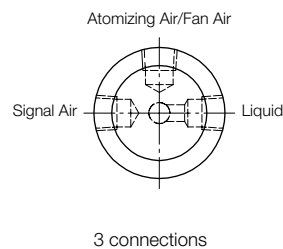


Atomizing air/Fan air/Signal air

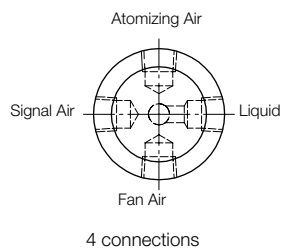
The atomizing air causes the liquid to atomize at the nozzle orifice. The spray character can be adjusted with the fan air to suit the application. The signal air activates the nozzle.

Nozzle body configurations

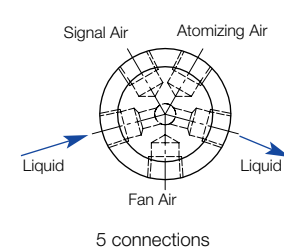
Nozzle body configuration 2



Nozzle body configuration 4



Nozzle body configuration 5





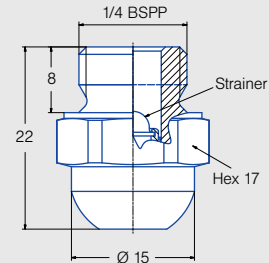
Axial-flow hollow cone nozzles Series 220





Extremely fine, fog-like hollow cone spray.

Applications:

Disinfection, humidification, cooling.



Spray angle 	Ordering no.				B Ø [mm]	E Ø [mm]	Mesh size [mm]	V̇ [l/min]								Spray diameter D at p = 5 bar  H = 100 mm
	Type	Mat. no.		Code				p [bar]								
		11 430F SS*	1Y 316L SS*					2.0	3.0	5.0	7.0	10.0	20.0	50.0	100.0	
60°	220.004	○	○	AC	0.10	0.10	0.04	-	-	0.013	0.015	0.018	0.026	0.041	0.058	100
	220.014	○	○	AC	0.15	0.15	0.04	-	0.015	0.019	0.022	0.027	0.038	0.060	0.085	100
	220.054	○	○	AC	0.20	0.15	0.04	0.017	0.021	0.027	0.032	0.038	0.054	0.085	0.121	100
80°	220.085	○	○	AC	0.25	0.25	0.10	0.025	0.031	0.040	0.047	0.057	0.080	0.126	0.179	140
	220.125	○	○	AC	0.35	0.35	0.10	0.039	0.048	0.062	0.073	0.088	0.124	0.196	0.277	140
	220.145	○	○	AC	0.40	0.40	0.10	0.052	0.064	0.082	0.097	0.116	0.164	0.259	0.367	140
	220.165	○	○	AC	0.45	0.45	0.10	0.065	0.080	0.103	0.122	0.146	0.206	0.326	0.461	140
	220.185	○	○	AC	0.55	0.35	0.20	0.082	0.101	0.130	0.154	0.184	0.260	0.411	0.581	140
	220.205	○	○	AC	0.60	0.35	0.20	0.106	0.130	0.168	0.199	0.238	0.336	0.531	0.751	140
	220.245	○	○	AC	0.70	0.50	0.20	0.165	0.202	0.261	0.309	0.369	0.522	0.825	1.167	140
220.285	○	○	AC	0.90	0.55	0.20	0.247	0.302	0.390	0.461	0.552	0.780	1.233	1.744	140	

B = bore diameter · E = narrowest free cross section

The integrated strainer avoids clogging of the nozzle and increases its service life.

Example Type + Material-no. + Code = Ordering no.
for ordering: 220.004 + 1Y + AC = 220.004.1Y.AC

*** Materials**

Mat. no.	Housing	Nozzle insert	Strainer
11	430F SS	430F SS	316L SS
1Y	316L SS	316L SS	316L SS

Conversion formula for the above series: $\dot{V}_2 = \dot{V}_1 \cdot \sqrt{\frac{p_2}{p_1}}$



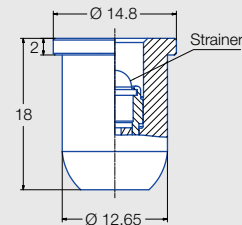
Axial-flow hollow cone nozzles for retaining nut Series 226





Hollow cone nozzle for assembly with retaining nut. Extremely fine, fog-like hollow cone spray.

Applications:

Disinfection, humidification, cooling.



Spray angle 	Ordering no.		B Ø [mm]	E Ø [mm]	Mesh size [mm]	V̇ [l/min]								Spray diameter D at p = 5 bar  H = 100 mm
	Type	Mat. no.				p [bar]								
		16 303 SS*				2.0	3.0	5.0	7.0	10.0	20.0	50.0	100.0	
60°	226.004	○	0.10	0.10	0.04	-	-	0.013	0.015	0.018	0.026	0.041	0.058	100
	226.014	○	0.15	0.15	0.04	-	0.015	0.019	0.022	0.027	0.038	0.060	0.085	100
	226.054	○	0.20	0.15	0.04	0.017	0.021	0.027	0.032	0.038	0.054	0.085	0.121	100
80°	226.085	○	0.25	0.25	0.10	0.025	0.031	0.040	0.047	0.057	0.080	0.126	0.179	140
	226.125	○	0.35	0.35	0.10	0.039	0.048	0.062	0.073	0.088	0.124	0.196	0.277	140
	226.145	○	0.40	0.40	0.10	0.052	0.064	0.082	0.097	0.116	0.164	0.259	0.367	140
	226.165	○	0.45	0.45	0.10	0.065	0.080	0.103	0.122	0.146	0.206	0.326	0.461	140
	226.185	○	0.55	0.35	0.20	0.082	0.101	0.130	0.154	0.184	0.260	0.411	0.581	140
	226.205	○	0.60	0.35	0.20	0.106	0.130	0.168	0.199	0.238	0.336	0.531	0.751	140
	226.245	○	0.70	0.50	0.20	0.165	0.202	0.261	0.309	0.369	0.522	0.825	1.167	140
	226.285	○	0.90	0.55	0.20	0.247	0.302	0.390	0.461	0.552	0.780	1.233	1.744	140

B = bore diameter · E = narrowest free cross section

The integrated strainer avoids clogging of the nozzle and increases its service life.

Example for ordering: Type **226.004** + Material-no. **16** = Ordering no. **226.004.16**

*** Materials**

Mat. no.	Housing	Nozzle insert	Strainer
16	303 SS	430F SS	316L SS



Axial-flow hollow cone nozzles Series 214/216



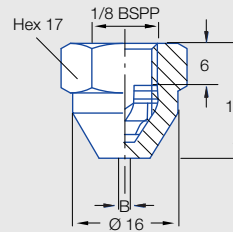
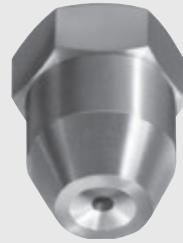
Fine, uniform hollow cone spray.

Applications:

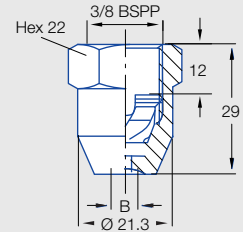
Cooling and cleaning of air and gas, dust control, spraying onto filters, spray drying, desuperheating.





(Mat. no. 17)



Series 214
Weight brass: 27 g



Series 216
Weight brass: 60 g

Spray angle 	Ordering no.		G	B Ø [mm]	E Ø [mm]	V̇ [l/min]							Spray diameter D at p = 3 bar  H = 250 mm	
	Type	Mat. no.				p [bar]								
		17 316Ti SS				30 Brass	0.5	1.0	2.0	3.0	5.0	10.0		20.0
60°	214.184	○	○	1/8	0.50	0.50	-	-	0.08	0.10	0.13	0.18	0.25	200
		○	○				-	0.23	0.32	0.39	0.51	0.72	1.01	
80°	214.245	○	○	1/8	1.00	0.50	-	-	0.16	0.20	0.25	0.36	0.51	450
		○	○				-	0.23	0.32	0.39	0.51	0.72	1.01	
60°	216.324	○	○	3/8	1.00	1.00	-	0.28	0.40	0.49	0.63	0.89	1.26	200
		○	○				-	0.45	0.63	0.77	1.00	1.41	1.99	
60°	216.364	○	○	3/8	1.40	1.40	-	0.45	0.63	0.77	1.00	1.41	1.99	200
		○	○				-	0.71	1.00	1.22	1.58	2.24	3.16	
60°	216.404	○	○	3/8	2.00	2.00	-	0.71	1.00	1.22	1.58	2.24	3.16	200
		○	○				-	0.71	1.00	1.22	1.58	2.24	3.16	
90°	216.496	○	○	3/8	3.00	2.00	-	1.20	1.70	2.08	2.69	3.80	5.38	500
		○	○				-	1.77	2.50	3.06	3.95	5.59	7.91	
		○	○				2.00	2.83	4.00	4.90	6.32	8.94	12.65	
		○	○				2.50	3.54	5.00	6.12	7.91	11.18	15.81	
		○	○				3.15	4.45	6.30	7.72	9.96	14.09	19.92	
		○	○				4.30	6.00	8.50	10.40	13.40	19.00	26.90	

B = bore diameter · E = narrowest free cross section

Example	Type	+	Material no.	=	Ordering no.
for ordering	214.184	+	17	=	214.184.17



Tangential-flow hollow cone nozzles

Plastic version

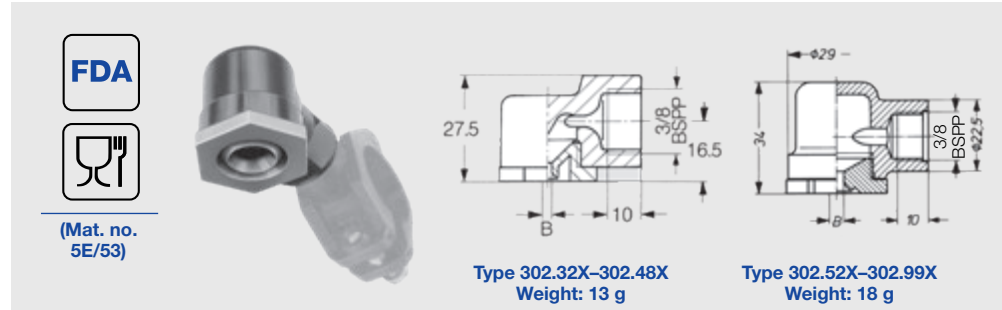
Series 302





Uniform hollow cone spray. Non-clogging nozzle, without swirl insert.

Applications:

Dust control, spraying onto filters, foam control, pasteurization.



Spray angle 	Ordering no.				B Ø [mm]	E Ø [mm]	V [l/min]						Spray diameter D at p = 2 bar 	
	Type	Mat. no.					p [bar]						H = 250 mm	H = 500 mm
		5E	51	53			0.5	1.0	2.0	3.0	5.0	10.0		
		PVDF	PA	PP										
60°	302.364	-	○	○	1.30	1.30	0.31	0.45	0.63	0.77	1.00	1.41	200	350
	302.464	-	○	○	1.95	1.95	0.70	0.99	1.40	1.71	2.21	3.13	300	560
90°	302.326	○	○	-	1.05	1.05	0.20	0.28	0.40	0.49	0.63	0.89	400	700
	302.366	○	○	-	1.30	1.30	0.31	0.45	0.63	0.77	1.00	1.41	400	880
	302.406	○	○	○	1.55	1.55	0.50	0.71	1.00	1.22	1.58	2.24	400	880
	302.486	-	○	○	2.10	2.10	0.80	1.13	1.60	1.96	2.53	3.58	400	880
	302.526	-	○	○	5.00	2.00	1.00	1.41	2.00	2.45	3.16	4.47	400	880
	302.566	-	○	○	5.00	2.40	1.25	1.77	2.50	3.06	3.95	5.59	400	880
	302.606	-	○	○	5.00	3.20	1.57	2.23	3.15	3.86	4.98	7.04	450	950
	302.686	-	○	-	7.50	3.40	2.50	3.45	5.00	6.12	7.91	11.18	500	1050
	302.766	-	○	-	9.00	4.30	4.00	5.66	8.00	9.80	12.65	17.89	500	1050
	302.846	-	○	○	11.00	5.20	6.25	8.84	12.50	15.31	19.67	27.95	550	1130
	302.886	○	○	○	11.00	6.40	8.00	11.31	16.00	19.60	25.30	35.78	550	1130
302.966	-	○	-	11.00	8.60	12.50	17.68	25.00	30.62	39.53	55.90	550	1130	
130°	302.328	○	-	-	1.35	0.80	0.20	0.28	0.40	0.49	0.63	0.89	700	1380
	302.368	○	○	-	1.85	1.10	0.31	0.45	0.63	0.77	1.00	1.41	700	1380
	302.408	○	○	-	3.65	1.30	0.50	0.71	1.00	1.22	1.58	2.24	700	1380
	302.488	-	○	○	5.20	1.60	0.80	1.13	1.60	1.96	2.53	3.58	700	1380
	302.528	-	○	-	5.00	2.00	1.00	1.41	2.00	2.45	3.16	4.47	700	1380
	302.568	-	○	-	5.00	2.40	1.25	1.77	2.50	3.06	3.95	5.59	780	1520
	302.608	○	○	○	5.00	3.20	1.57	2.23	3.15	3.86	4.98	7.04	780	1520
	302.648	-	○	-	7.50	3.00	2.00	2.83	4.00	4.90	6.32	8.94	950	1850
	302.688	-	○	-	7.50	3.40	2.50	3.54	5.00	6.12	7.91	11.18	950	1850
	302.728	-	○	-	7.50	4.10	3.15	4.45	6.30	7.72	9.96	14.09	950	1850
	302.768	-	○	-	9.00	4.30	4.00	5.66	8.00	9.80	12.65	17.89	950	1850
	302.848	-	○	-	11.00	5.20	6.25	8.84	12.50	15.31	19.76	27.95	950	1850
	302.888	-	○	○	11.00	6.40	8.00	11.31	16.00	19.60	25.30	35.78	950	1850
	302.968	○	○	-	11.00	8.60	12.50	17.68	25.00	30.62	39.53	55.90	950	1850

B = bore diameter · E = narrowest free cross section

Example for ordering
 Type 302.364 + Material no. 51 = Ordering no. 302.364. 51



Axial-flow full cone nozzles Series 490/491

Patented



Non-clogging nozzle design with a very stable spray angle, particularly even liquid distribution and large free cross sections.

Applications:

Cleaning and washing processes, surface spraying, Container cleaning, foam precipitation, degassing of liquids.



(Mat. no. 17)



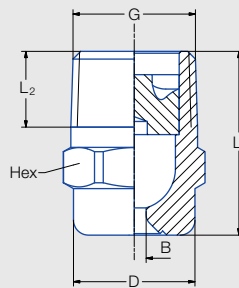
Series 490



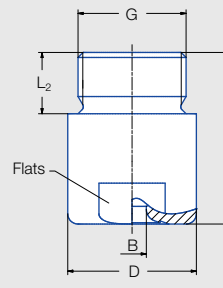
Series 491

Series 490/491 represents a new generation within the axial-flow full cone nozzles product group. These nozzles were developed using state-of-the-art design and simulation methods (CFD).

Nozzles of series 490/491 replace series 460/461 which are still available on request.



Code CA-CG



Code AK-AM

Code	Dimensions [mm]					Weight
	G	L ₁	L ₂	D	Hex/Flats	
CA	1/8 BSPT	18.0	6.5	10.0	11	13 g
CC	1/4 BSPT	22.0	10.0	13.0	14	16 g
CE	3/8 BSPT	24.5	10.0	16.0	17	30 g
CE	3/8 BSPT	30.0	10.0	16.0	17	50 g
CG	1/2 BSPT	32.5	13.0	21.0	22	60 g
CG	1/2 BSPT	43.5	13.0	21.0	22	85 g
AK	3/4 BSPP	42.0	15.0	32.0	27	190 g
AM	1 BSPP	56.0	17.0	40.0	36	350 g

Subject to technical modifications. Please enquire about the exact dimensions if the installation situation is critical!

Spray angle	Type	Ordering no.							B Ø [mm]	E Ø [mm]	V̇ [l/min]							Spray diameter D at p=2 bar		
		Mat. no.		Code							p [bar]							at p=2 bar		
		1Y	30	1/8 BSPT	1/4 BSPT	3/8 BSPT	1/2 BSPT	3/4 BSPP			1 BSPP	0.5	1.0	2.0	3.0	5.0	7.0	10.0	H = 200 mm	H = 500 mm
45°	490.403	○	○	CA	-	-	-	-	-	1.25	1.25	0.57	0.76	1.00	1.18	1.44	1.65	1.90	160	400
	490.523	○	○	CA	-	-	-	-	-	1.70	1.70	1.15	1.52	2.00	2.35	2.89	3.30	3.81	160	400
	490.603	○	○	-	CC	CE*	-	-	-	2.00	2.00	1.81	2.39	3.15	3.70	4.54	5.20	6.00	160	400
	490.643	○	○	-	CC	CE*	-	-	-	2.45	2.45	2.30	3.03	4.00	4.70	5.77	6.60	7.61	160	400
	490.683	-	○	-	-	CE	-	-	-	2.55	2.55	2.87	3.79	5.00	5.88	7.21	8.25	9.52	160	400
	490.703	-	○	-	-	CE	-	-	-	2.65	2.65	3.22	4.24	5.60	6.59	8.08	9.24	10.66	160	400
	490.723	○	○	-	-	CE	-	-	-	2.85	2.85	3.62	4.77	6.30	7.41	9.09	10.40	11.99	160	400
	490.783	-	○	-	-	-	CG	-	-	3.45	3.45	5.17	6.82	9.00	10.58	12.98	14.85	17.12	160	400
	490.843	-	○	-	-	-	CG	-	-	3.80	3.80	7.18	9.47	12.50	14.70	18.03	20.63	23.80	160	400
60°	490.404	○	○	CA	-	-	-	-	-	1.15	1.15	0.57	0.76	1.00	1.18	1.44	1.65	1.90	220	560
	490.444	○	-	CA	-	-	-	-	-	1.25	1.25	0.72	0.95	1.25	1.47	1.80	2.06	2.38	220	560
	490.484	○	○	CA	-	-	-	-	-	1.45	1.45	0.92	1.21	1.60	1.88	2.31	2.64	3.05	220	560
	490.524	○	○	CA	-	-	-	-	-	1.60	1.60	1.15	1.52	2.00	2.35	2.89	3.30	3.81	220	560
	490.564	○	○	CA	-	-	-	-	-	1.80	1.80	1.44	1.89	2.50	2.94	3.61	4.13	4.76	220	560
	490.604	○	○	CA	CC	CE	-	-	-	2.05	2.05	1.81	2.39	3.15	3.70	4.54	5.20	6.00	220	560

*Only available in material 30 · B = bore diameter · E = narrowest free cross section

Continued on next page.



Conversion formula for the above series: $\dot{V}_2 = \dot{V}_1 * \left(\frac{p_2}{p_1}\right)^{0.4}$ (≤ 10 bar)



Axial-flow full cone nozzles Series 490/491

Patented



Spray angle 	Ordering no.								B Ø [mm]	E Ø [mm]	V̇ [l/min]							Spray diameter D at p=2 bar 		
	Type	Mat. no.		Code							p [bar]							H = 200 mm	H = 500 mm	
		1Y	30	1/8 BSPT	1/4 BSPT	3/8 BSPT	1/2 BSPT	3/4 BSPP			1 BSPP	0.5	1.0	2.0	3.0	5.0	7.0			10.0
60°	490.644	○	○	-	CC	CE	-	-	-	2.30	2.30	2.30	3.03	4.00	4.70	5.77	6.60	7.61	220	560
	490.684	○	○	-	CC	CE	-	-	-	2.60	2.60	2.87	3.79	5.00	5.88	7.21	8.25	9.52	220	560
	490.724	○	○	-	CC	CE	-	-	-	2.95	2.80	3.62	4.77	6.30	7.41	9.09	10.40	11.99	220	560
	490.764	○	○	-	-	CE	-	-	-	3.25	3.25	4.59	6.06	8.00	9.41	11.54	13.20	15.22	220	560
	490.804	○	○	-	-	CE	-	-	-	3.70	3.70	5.74	7.58	10.00	11.76	14.43	16.51	19.04	220	560
	490.844	○	○	-	-	-	CG	-	-	4.05	4.05	7.18	9.47	12.50	14.70	18.03	20.63	23.80	220	560
	490.884	○	○	-	-	-	CG	-	-	4.65	4.65	9.19	12.13	16.00	18.82	23.08	26.41	30.46	220	560
	490.924	○	○	-	-	-	-	AK	-	5.20	5.20	11.49	15.16	20.00	23.52	28.85	33.01	38.07	220	560
	490.964	○	○	-	-	-	-	AK	-	5.80	5.80	14.36	18.95	25.00	29.40	36.07	41.26	47.59	220	560
	491.044	○	○	-	-	-	-	-	AM	7.25	7.25	22.97	30.31	40.00	47.04	57.71	66.02	76.15	220	560
491.084	○	○	-	-	-	-	-	AM	8.15	8.15	28.72	37.89	50.00	58.80	72.14	82.53	95.18	220	560	
90°	490.406	○	○	CA	-	-	-	-	-	1.20	1.20	0.57	0.76	1.00	1.18	1.44	1.65	1.90	380	860
	490.446	-	○	CA	-	-	-	-	-	1.30	1.30	0.72	0.95	1.25	1.47	1.80	2.06	2.38	380	860
	490.486	○	○	CA	-	-	-	-	-	1.45	1.45	0.92	1.21	1.60	1.88	2.31	2.64	3.05	380	860
	490.526	○	○	CA	-	-	-	-	-	1.70	1.55	1.15	1.52	2.00	2.35	2.89	3.30	3.81	380	860
	490.566	○	○	CA	-	-	-	-	-	1.90	1.90	1.44	1.89	2.50	2.94	3.61	4.13	4.76	380	860
	490.606	○	○	CA	-	CE	-	-	-	2.10	2.05	1.81	2.39	3.15	3.70	4.54	5.20	6.00	380	860
	490.646	○	○	-	CC	CE	-	-	-	2.40	2.40	2.30	3.03	4.00	4.70	5.77	6.60	7.61	390	960
	490.686	○	○	-	CC	CE	-	-	-	2.70	2.70	2.87	3.79	5.00	5.88	7.21	8.25	9.52	390	960
	490.726	○	○	-	CC	CE	-	-	-	3.20	2.80	3.62	4.77	6.30	7.41	9.09	10.40	11.99	390	960
	490.746	○	○	-	-	CE	-	-	-	3.15	3.15	4.08	5.38	7.10	8.35	10.24	11.72	13.52	390	960
	490.766	○	○	-	-	CE	-	-	-	3.40	3.40	4.59	6.06	8.00	9.41	11.54	13.20	15.22	390	960
	490.806	○	○	-	-	CE	-	-	-	3.90	3.90	5.74	7.58	10.00	11.76	14.43	16.51	19.04	390	960
	490.846	○	○	-	-	CE	-	-	-	4.65	4.00	7.18	9.47	12.50	14.70	18.03	20.63	23.80	390	960
	490.886	○	○	-	-	-	CG	-	-	5.45	4.50	9.19	12.13	16.00	18.82	23.08	26.41	30.46	390	960
	490.926	○	○	-	-	-	CG	-	-	5.90	4.50	11.49	15.16	20.00	23.52	28.85	33.01	38.07	390	960
	490.966	○	○	-	-	-	CG	AK	-	6.55	4.85	14.36	18.95	25.00	29.40	36.07	41.26	47.59	390	960
	491.006	○	○	-	-	-	-	AK	-	7.55	5.50	18.09	23.87	31.50	37.05	45.45	51.99	59.97	390	960
	491.046	○	○	-	-	-	-	AK	-	8.60	6.60	22.97	30.31	40.00	47.04	57.71	66.02	76.15	390	960
	491.086	○	○	-	-	-	-	-	AM	9.45	7.25	28.72	37.89	50.00	58.80	72.14	82.53	95.18	390	960
	491.126	○	○	-	-	-	-	-	AM	10.40	8.00	36.18	47.75	63.00	74.09	90.89	103.98	119.93	390	960
491.146	○	-	-	-	-	-	-	AM	11.00	7.50	40.78	53.81	71.00	83.50	102.43	117.19	135.16	390	960	
120°	490.368	○	○	CA	-	-	-	-	-	0.85	0.65	0.36	0.48	0.63	0.74	0.91	1.04	1.20	680	1220
	490.408	○	○	CA	-	-	-	-	-	1.20	1.20	0.57	0.76	1.00	1.18	1.44	1.65	1.90	680	1220
	490.448	○	○	CA	-	-	-	-	-	1.30	1.30	0.72	0.95	1.25	1.47	1.80	2.06	2.38	680	1220
	490.488	○	○	CA	-	-	-	-	-	1.45	1.45	0.92	1.21	1.60	1.88	2.31	2.64	3.05	680	1220
	490.528	○	○	CA	-	-	-	-	-	1.70	1.70	1.15	1.52	2.00	2.35	2.89	3.30	3.81	680	1220
	490.568	○	○	CA	-	-	-	-	-	1.90	1.90	1.44	1.89	2.50	2.94	3.61	4.13	4.76	680	1220
	490.608	○	○	CA	-	-	-	-	-	2.10	2.05	1.81	2.39	3.15	3.70	4.54	5.20	6.00	680	1220
	490.648	○	○	-	CC	CE	-	-	-	2.40	2.40	2.30	3.03	4.00	4.70	5.77	6.60	7.61	680	1330
	490.688	○	○	-	CC	CE	-	-	-	2.75	2.75	2.87	3.79	5.00	5.88	7.21	8.25	9.52	680	1330
	490.728	○	○	-	CC	CE	-	-	-	3.20	2.80	3.62	4.77	6.30	7.41	9.09	10.40	11.99	680	1330
	490.748	○	○	-	-	CE	-	-	-	3.20	3.20	4.08	5.38	7.10	8.35	10.24	11.72	13.52	680	1330
	490.768	○	○	-	-	CE	-	-	-	3.45	3.45	4.59	6.44	8.00	9.41	11.54	13.20	15.22	680	1330
	490.808	○	○	-	-	CE	-	-	-	3.90	3.90	5.74	7.58	10.00	11.76	14.43	16.51	19.04	680	1330
	490.848	○	○	-	-	CE	-	-	-	4.70	4.00	7.18	9.47	12.50	14.70	18.03	20.63	23.80	680	1330
	490.888	○	○	-	-	-	CG	-	-	5.10	4.50	9.19	12.13	16.00	18.82	23.08	26.41	30.46	680	1330
	490.928	○	○	-	-	-	CG	-	-	5.80	4.75	11.49	15.16	20.00	23.52	28.85	33.01	38.07	680	1330
	490.968	○	○	-	-	-	CG	AK	-	6.65	4.85	14.36	18.95	25.00	29.40	36.07	41.26	47.59	680	1330
	491.048	○	○	-	-	-	-	AK	-	9.20	5.85	22.97	30.31	40.00	47.04	57.71	66.02	76.15	680	1330
	491.128	○	○	-	-	-	-	-	AM	10.80	7.75	36.18	47.75	63.00	74.09	90.89	103.98	119.93	680	1330
	491.148	○	-	-	-	-	-	-	AM	11.40	7.65	40.78	53.81	71.00	83.50	102.43	117.19	135.16	680	1330

B = bore diameter · E = narrowest free cross section

Other nozzle materials (special alloys, plastics) are available on request.

Example Type + Material no. + Code = Ordering no.
for ordering: 490.644 + 1Y + CC = 490.644.1Y.CC



Conversion formula for the above series: $\dot{V}_2 = \dot{V}_1 * \left(\frac{p_2}{p_1}\right)^{0.4}$ (≤ 10 bar)



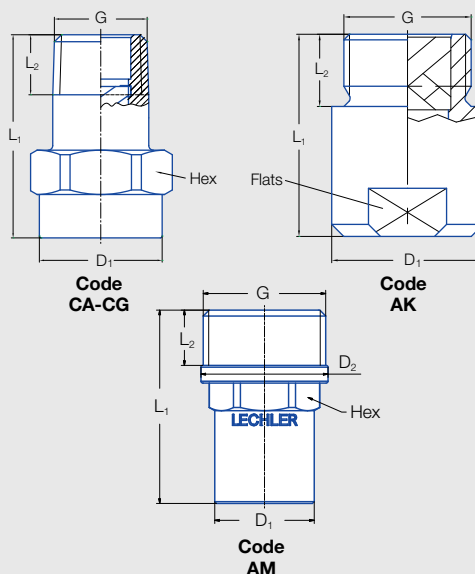
Axial-flow full cone nozzles Series 460/461



Very uniform spray pattern.

Applications:

Cleaning and washing process, cooling of gaseous fluids and solids, surface spraying, spraying onto mats in air washers, improving of chemical reactions.



Code	Dimensions [mm]					
	G	L ₁	L ₂	D ₁	D ₂	Hex/Flats
CA	1/8 BSPT	22.0	6.5	13.0	-	14
CC	1/4 BSPT	22.0	9.7	13.0	-	14
CE	3/8 BSPT	30.0	10.0	17.0	-	17
CG	1/2 BSPT	43.5	13.2	22.0	-	22
AK	3/4 BSPP	42.0	15.0	31.5	-	27
AM	1 BSPP	52.5	15.0	27.0	34.5	27

Subject to technical modifications. Please enquire about the exact dimensions if the installation situation is critical!

Spray angle	Ordering no.								B Ø [mm]	E Ø [mm]	V̇ [l/min]							Spray diameter D at p=2 bar	
	Type	Mat. no.	Code								p [bar]							H = 200 mm	H = 500 mm
		5E	PV/DF	1/8 BSPT	1/4 BSPT	3/8 BSPT	1/2 BSPT	3/4 BSPP			1 BSPP	0.5	1.0	2.0	3.0	5.0	7.0		
60°	460.524	○	CA	-	-	-	-	-	1.60	1.60	1.00	1.41	2.00	2.45	2.83	3.16	4.47	220	560
	460.644	○	-	CC	-	-	-	-	2.40	1.90	2.30	3.03	4.00	4.70	5.77	6.60	7.61	220	560
	460.724	○	-	CC	-	-	-	-	2.80	2.10	3.15	4.45	6.30	7.72	8.91	9.96	14.09	220	560
	460.964	○	-	-	-	-	-	AK	-	5.80	4.90	14.36	18.95	25.00	29.40	36.07	41.26	47.59	220
90°	460.326	○	CA	-	-	-	-	-	0.80	0.55	0.23	0.30	0.40	0.47	0.58	0.66	0.76	380	860
	460.406	○	CA	-	-	-	-	-	1.20	0.85	0.57	0.76	1.00	1.18	1.44	1.65	1.90	380	860
	460.486	○	CA	-	-	-	-	-	1.45	1.20	0.92	1.21	1.60	1.88	2.31	2.64	3.05	380	860
	460.526	○	CA	-	-	-	-	-	1.65	1.30	1.15	1.52	2.00	2.35	2.89	3.30	3.81	380	860
	460.606	○	CA	-	CE	-	-	-	2.05	1.45	1.81	2.39	3.15	3.70	4.54	5.20	6.00	380	860
	460.646	○	-	CC	-	-	-	-	2.30	1.80	2.30	3.03	4.00	4.70	5.77	6.60	7.61	390	960
	460.726	○	-	-	CE	-	-	-	2.95	2.00	3.62	4.77	6.30	7.41	9.09	10.40	11.99	390	960
	460.746	○	-	-	CE	-	-	-	3.30	1.90	4.08	5.38	7.10	8.35	10.24	11.72	13.52	390	960
	460.766	○	-	-	CE	-	-	-	3.30	2.40	4.59	6.06	8.00	9.41	11.54	13.20	15.22	390	960
	460.806	○	-	-	CE	-	-	-	3.70	2.70	5.74	7.58	10.00	11.76	14.43	16.51	19.04	390	960
	460.846	○	-	-	CE	-	-	-	4.05	3.20	7.18	9.47	12.50	14.70	18.03	20.63	23.80	390	960
	460.886	○	-	-	-	CG	-	-	4.70	3.10	9.19	12.13	16.00	18.82	23.08	26.41	30.46	390	960
	460.966	○	-	-	-	CG	-	-	5.80	3.80	14.36	18.95	25.00	29.40	36.07	41.26	47.59	390	960
	461.006	○	-	-	-	CG	-	-	6.40	3.80	18.09	23.87	31.50	37.05	45.45	51.99	59.97	390	960
	461.046	○	-	-	-	-	CK*	-	7.20	5.30	22.97	30.31	40.00	47.04	57.71	66.02	76.15	390	960
	461.086	○	-	-	-	-	-	AM	8.40	5.00	25.00	35.36	50.00	61.24	70.71	79.06	111.80	390	860

Example Type + Material no. + Code = Ordering no.
for ordering: 460.644 + 5E + CC = 460.644.5E.CC

B = bore diameter
E = narrowest free cross section
* Connection 3/4 BSPT



Continued on next page.

Conversion formula for the above series: $\dot{V}_2 = \dot{V}_1 * \left(\frac{p_2}{p_1}\right)^{0.4}$
(≤ 10 bar)



Axial-flow full cone nozzles Series 460/461



Spray angle 	Ordering no.							B Ø [mm]	E Ø [mm]	V̇ [l/min]							Spray diameter D at p=2 bar 	
	Type	Mat. no.	Code							p [bar]							H = 200 mm	H = 500 mm
		5E	1/8 BSPT	1/4 BSPT	3/8 BSPT	1/2 BSPT	3/4 BSPT			0.5	1.0	2.0	3.0	5.0	7.0	10.0		
120°	460.368	○	CA	-	-	-	-	0.95	0.45	0.32	0.45	0.63	0.77	0.89	1.00	1.41	680	1220
	460.408	○	CA	-	-	-	-	1.20	0.85	0.57	0.76	1.00	1.18	1.44	1.65	1.90	680	1220
	460.488	○	CA	-	-	-	-	1.50	1.00	0.92	1.21	1.60	1.88	2.31	2.64	3.05	680	1220
	460.528	○	CA	-	-	-	-	1.65	1.20	1.15	1.52	2.00	2.35	2.89	3.30	3.81	680	1220
	460.608	○	CA	-	-	-	-	2.10	1.40	1.81	2.39	3.5	3.70	4.54	5.20	6.00	680	1220
	460.648	○	-	CC	CE	-	-	2.45	1.60	2.30	3.03	4.00	4.70	5.77	6.60	7.61	680	1330
	460.728	○	-	-	CE	-	-	3.10	1.90	3.62	4.77	6.30	7.41	9.09	10.40	11.99	680	1330
	460.748	○	-	-	CE	-	-	3.30	1.90	4.08	5.38	7.10	8.35	10.24	11.72	13.52	680	1330
	460.768	○	-	-	CE	-	-	3.50	1.90	4.59	6.44	8.00	9.41	11.54	13.20	15.22	680	1330
	460.808	○	-	-	CE	-	-	3.80	2.40	5.74	7.58	10.00	11.76	14.43	16.51	19.04	680	1330
	460.848	○	-	-	CE	-	-	4.20	2.70	7.18	9.47	12.50	14.70	18.03	20.63	23.80	680	1330
	460.888	○	-	-	-	CG	-	4.60	3.10	9.19	12.13	16.00	18.82	23.08	26.41	30.46	680	1330
	460.968	○	-	-	-	CG	-	5.90	4.10	14.36	18.95	25.00	29.40	36.07	41.26	47.59	680	1330
	461.048	⊗	-	-	-	-	CK*	7.60	4.90	22.97	30.31	40.00	47.04	57.71	66.02	76.15	680	1330

B = bore diameter · E = narrowest free cross section

⊗ material PP (material no. 53)

* Connection 3/4 BSPT

Example Type + Material no. + Code = Ordering no.
for ordering: 460.408 + 5E + CA = 460.408.5E.CA



Tangential-flow full cone nozzles Series 422/423



Tangentially arranged liquid supply. Without swirl inserts. Non-clogging. Stable spray angle. Uniform spray.

Applications:

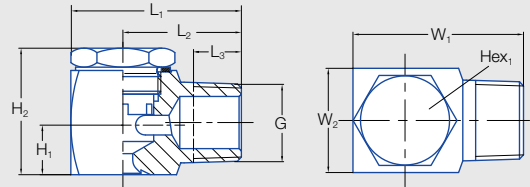
Cleaning and washing process, cooling of gaseous fluids and solids, surface spraying, spraying onto mats in air washers, improving on chemical reactions, continuous casting, foam control.



(Mat. no. 1Y)



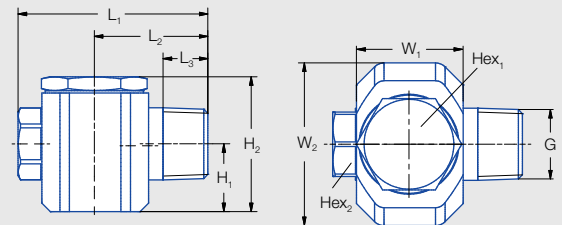
1/4" - 3/8" version



Material: 316L SS/Brass




1/2" - 1" version



Material: 316L SS/Brass

Dimensions [mm]										Weight 316L SS
G	L ₁	L ₂	L ₃	H ₁	H ₂	W ₁	W ₂	Hex ₁	Hex ₂	
1/4 BSPT	28.0	20.0	9.7	8.0	21.0	15.6	16.0	11	-	44 g
3/8 BSPT	36.0	25.0	10.1	11.0	26.7	23.2	22.0	19	-	101 g
1/2 BSPT	56.0	33.5	13.2	20.0	40.0	32.0	48.0	27	19	370 g
3/4 BSPT	65.5	38.5	14.5	23.5	57.0	40.0	63.0	36	27	830 g
1 BSPT	85.0	48.5	16.8	27.3	66.0	55.0	78.0	41	36	1581 g

Spray angle 	Ordering no.								B Ø [mm]	E Ø [mm]	V̇ [l/min]						Spray diameter D at p = 1-10 bar	
	Type	Mat.no.		Code				p [bar]						H = 200 mm	H = 500 mm			
		30 Brass	1Y 316L SS	1/4 BSPT	3/8 BSPT	1/2 BSPT	3/4 BSPT	1 BSPT			0.5	1.0	2.0			3.0	5.0	10.0
60°	422.644	○	○	-	CE	-	-	-	3.00	3.00	2.00	2.83	4.00	4.90	6.32	8.94	225	510
90°	422.406	○	○	CC	-	-	-	-	1.50	1.45	0.50	0.71	1.00	1.22	1.58	2.24	380	860
	422.486	-	○	CC	-	-	-	-	1.90	1.80	0.80	1.13	1.60	1.96	2.53	3.58	380	860
	422.566	○	○	CC	-	-	-	-	2.30	2.20	1.25	1.77	2.50	3.06	3.95	5.59	380	860
	422.606	○	○	-	CE	-	-	-	2.60	2.50	1.57	2.23	3.15	3.86	4.98	7.04	380	860
	422.646	○	○	-	CE	-	-	-	3.00	2.90	2.00	2.83	4.00	4.90	6.32	8.94	390	960
	422.726	○	-	-	CE	-	-	-	3.70	3.60	3.15	4.45	6.30	7.72	9.96	14.09	390	960
	422.766	-	○	-	CE	-	-	-	4.15	4.10	4.00	5.66	8.00	9.80	12.65	17.89	390	960
	422.806	○	-	-	CE	-	-	-	4.65	4.60	5.00	7.07	10.00	12.25	15.81	22.36	390	960
	422.846	○	○	-	CE	-	-	-	5.20	5.10	6.25	8.84	12.50	15.31	19.76	27.95	390	960
	422.886	○	○	-	CE	-	-	-	5.80	5.70	8.00	11.31	16.00	19.60	25.30	35.78	390	960
422.966	-	○	-	-	CG	-	-	8.00	8.00	12.50	17.68	25.00	30.62	39.53	55.90	390	960	

B = bore diameter · E = narrowest free cross section

Continued on next page.

Example Type + Material-no. + Code = Ordering no.
for ordering: 422.644 + 30 + CE = 422.644.30.CE

Conversion formula for the above series: $\dot{V}_2 = \dot{V}_1 * \sqrt{\frac{p_2}{p_1}}$



Tangential-flow full cone nozzles Series 422/423



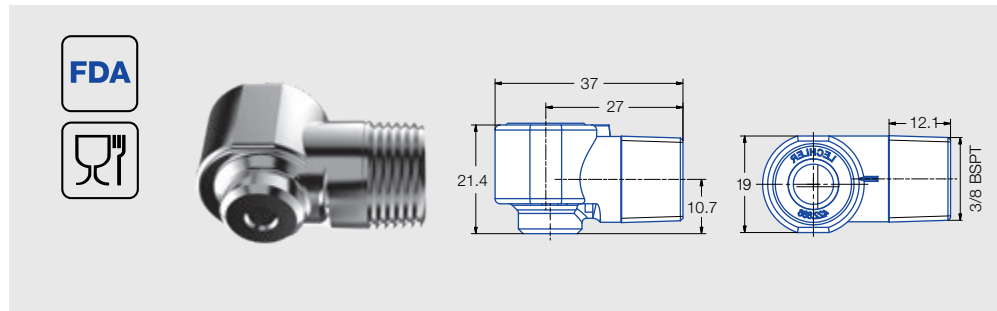
Spray angle	Ordering no.								B Ø [mm]	E Ø [mm]	V̇ [l/min]						Spray diameter D at p = 1-10 bar	
	Type	Mat.no.		Code				p [bar]						H = 200 mm	H = 500 mm			
		30 Brass	1Y 316L SS	1/4 BSPT	3/8 BSPT	1/2 BSPT	3/4 BSPT	1 BSPT			0.5	1.0	2.0			3.0	5.0	10.0
120°	422.488	○	-	CC	-	-	-	-	1.90	1.80	0.80	1.13	1.60	1.96	2.53	3.58	680	1220
	422.568	○	○	CC	-	-	-	-	2.30	2.20	1.25	1.77	2.50	3.06	3.95	5.59	680	1220
	422.608	○	-	CE	-	-	-	-	2.60	2.50	1.57	2.23	3.15	3.86	4.98	7.04	680	1600
	422.728	○	○	CE	-	-	-	-	3.70	3.60	3.15	4.45	6.30	7.72	9.96	14.09	680	1600
	422.808	-	○	CE	-	-	-	-	4.65	4.60	5.00	7.07	10.00	12.25	15.81	22.36	680	1600
	422.848	○	○	CE	-	-	-	-	5.20	5.10	6.25	8.84	12.50	15.31	19.76	27.95	680	1600
	422.888	○	○	CE	-	-	-	-	5.80	5.70	8.00	11.31	16.00	19.60	25.30	35.78	680	1600
	422.928	-	○	-	CG	-	-	-	7.30	7.30	10.00	14.14	20.00	24.49	31.62	44.72	680	1600
	422.968	○	○	-	CG	-	-	-	8.00	8.00	12.50	17.68	25.00	30.62	39.53	55.90	680	1600
	423.008	-	○	-	CG	-	-	-	8.70	8.70	15.75	22.27	31.50	38.88	49.81	70.44	680	1600
	423.128	-	○	-	-	-	-	CK	12.70	12.30	31.50	44.55	63.00	77.16	99.61	140.87	680	1600
	423.208	-	○	-	-	-	-	CM	19.00	16.00	50.00	70.71	100.00	122.47	158.11	223.61	680	1600

B = bore diameter · E = narrowest free cross section

Cost-efficient design thanks to metal injection molding. Tangentially arranged liquid supply. Without swirl inserts. Non-clogging. Stable spray angle. Uniform spray.

Applications:

Pasteurization, cleaning and washing process, cooling of gaseous fluids and solids, surface spraying, spraying onto mats in air washers, improving on chemical reactions, continuous casting, foam control.



Spray angle	Ordering no.			B Ø [mm]	E Ø [mm]	V̇ [l/min]						Spray diameter D at p = 1-10 bar	
	Type	Mat.no.	Code			p [bar]						H = 200 mm	H = 500 mm
		1Y 316L SS	3/8 BSPT			0.5	1.0	2.0	3.0	5.0	10.0		
90°	422.886	○	87	5.80	5.70	8.00	11.31	16.00	19.60	25.30	35.78	390	960

B = bore diameter · E = narrowest free cross section

Example for ordering: Type + Material-no. + Code = Ordering no.
422.886 + 1Y + 87 = 422.886.1Y.87



Tangential-flow full cone nozzles

Plastic version

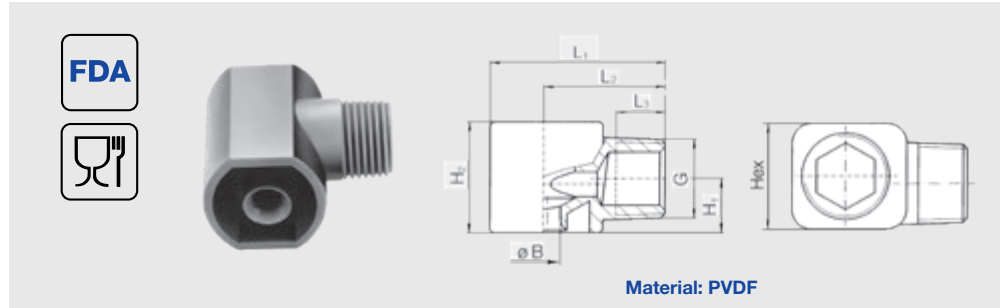
Series 422/423



Tangentially arranged liquid supply. Without swirl inserts. Non-clogging. Stable spray angle. Uniform spray.

Applications:

Cleaning and washing processes, surface spraying, bottle cleaning, keg cleaning, sausage showers, foam control, degassing, pasteurization.



Dimensions [mm]							Weight
G	L ₁	L ₂	L ₃	H ₁	H ₂	Hex	
1/4 BSPT	28.0	20.0	9.8	8.0	16.0	16.0	7 g
3/8 BSPT	36.0	25.0	10.1	11.2	23.0	22.0	16 g
1/2 BSPT	49.5	33.5	13.2	19.2	38.0	32.0	40 g
3/4 BSPT	58.5	38.5	18.5	24.5	50.0	41.0	50 g

Spray angle	Ordering no.						B ∅ [mm]	E ∅ [mm]	V̇ [l/min]						Spray diameter D at p = 1-10 bar	
	Type	Mat. no.	Code						p [bar]						H = 200 mm	H = 500 mm
		5E	PVDF	1/4 BSPT	3/8 BSPT	1/2 BSPT			3/4 BSPT	0.5	1.0	2.0	3.0	5.0		
60°	422.724	○	-	CE	-	-	3.60	3.60	3.15	4.45	6.30	7.72	9.96	14.09	225	510
90°	422.406	○	CC	-	-	-	1.50	1.45	0.50	0.71	1.00	1.22	1.58	2.24	380	860
	422.566	○	CC	-	-	-	2.30	2.20	1.25	1.77	2.50	3.06	3.95	5.59	380	860
	422.606	○	-	CE	-	-	2.60	2.50	1.57	2.23	3.15	3.86	4.98	7.04	380	860
	422.646	○	-	CE	-	-	3.00	2.90	2.00	2.83	4.00	4.90	6.32	8.94	390	960
	422.726	○	-	CE	-	-	3.70	3.60	3.15	4.45	6.30	7.72	9.96	14.09	390	960
	422.806	○	-	CE	-	-	4.65	4.60	5.00	7.07	10.00	12.25	15.81	22.36	390	960
	422.846	○	-	CE	-	-	5.20	5.10	6.25	8.84	12.50	15.31	19.76	27.95	390	960
	422.886	○	-	CE	-	-	5.85	5.85	8.00	11.31	16.00	19.60	25.30	35.78	390	960
	422.926	○	-	-	CG	-	7.30	7.30	10.00	14.14	20.00	24.49	31.62	44.72	390	960
	422.966	○	-	-	CG	-	8.00	8.00	12.50	17.68	25.00	30.62	39.53	55.90	390	960
	423.006	○	-	-	CG	-	8.70	8.70	15.75	22.27	31.50	38.58	49.81	70.44	390	960
423.126	○	-	-	-	CK	12.00	12.00	31.50	44.55	63.00	77.16	99.61	140.87	390	960	
120°	422.408	○	CC	-	-	-	1.50	1.45	0.50	0.71	1.00	1.22	1.58	2.24	680	1220
	422.448	○	CC	-	-	-	1.65	1.60	0.62	0.88	1.25	1.53	1.98	2.80	680	1220
	422.488	○	CC	-	-	-	1.90	1.80	0.80	1.13	1.60	1.96	2.53	3.58	680	1220
	422.568	○	CC	-	-	-	2.30	2.20	1.25	1.77	2.50	3.06	3.95	5.59	680	1220
	422.728	○	-	CE	-	-	3.70	3.60	3.15	4.45	6.30	7.72	9.96	14.09	680	1600
	422.888	○	-	CE	-	-	5.80	5.70	8.00	11.31	16.00	19.60	25.30	35.78	680	1600
	422.968	○	-	-	CG	-	8.00	8.00	12.50	17.68	25.00	30.62	39.53	55.90	680	1600
	423.008	○	-	-	CG	-	8.70	8.70	15.75	22.27	31.50	38.58	49.81	70.44	680	1600
	423.128	○	-	-	-	CK	12.70	12.30	31.50	44.55	63.00	77.16	99.61	140.87	680	1600

B = bore diameter · E = narrowest free cross section

Example of ordering: Type + Material-no. + Code = Ordering no.
 422.724 + 5E + CE = 422.724.5E.CE

Conversion formula for the above series: $\dot{V}_2 = \dot{V}_1 \cdot \sqrt{\frac{p_2}{p_1}}$



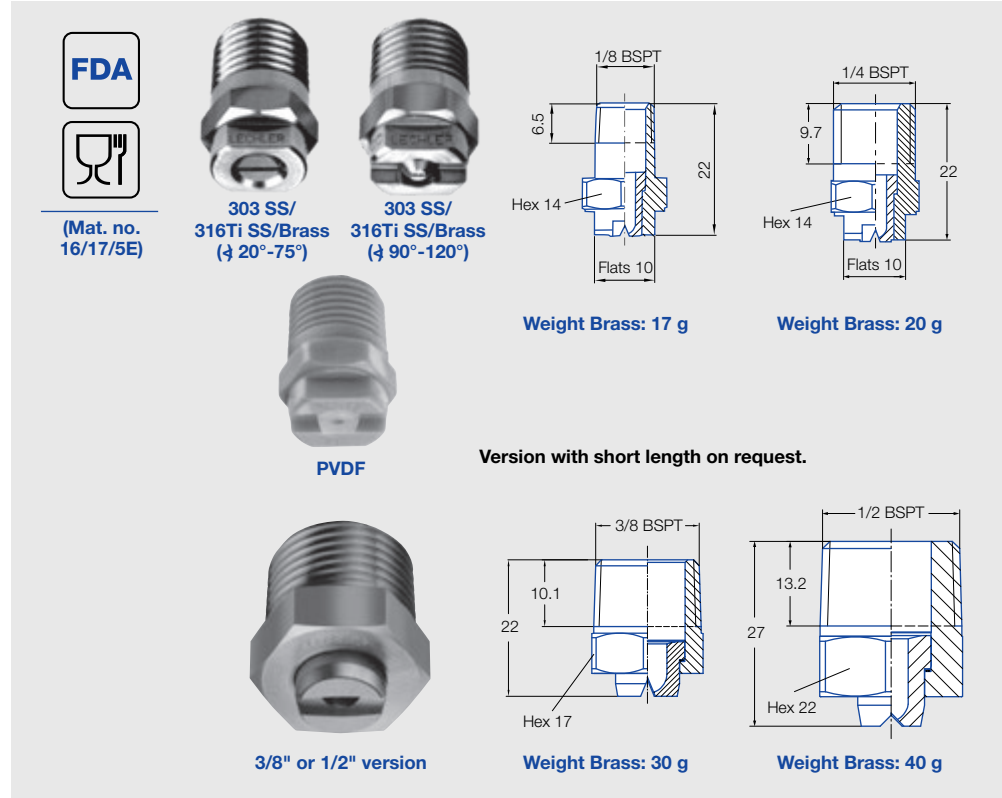
Flat fan nozzles Series 632/633



Standard design with conical, self-sealing thread connection. Stable spray angle. Uniform, parabolical distribution of liquid. Spray pipes equipped with these nozzles show an extremely uniform total distribution of liquid.

Applications:

Cleaning (e.g. surfaces, filters, belts), crate washers, lubricating, coating.



Spray angle	Ordering no.								A Ø [mm]	E Ø [mm]	V [l/min]								Spray width B at p=2 bar		
	Type	Mat. no.				Code					p [bar]								H = 200 mm	H = 500 mm	
		16 ¹	17 ²	30	5E	CA	CC	-			-	0.5	1.0	2.0	3.0	5.0	7.0	10.0			
20°	632.301	○	○	○	○	CA	CC	-	-	0.70	0.60	0.16*	0.23*	0.32	0.39	0.51	0.60	0.72	65	120	
	632.361	○	○	○	○	CA	CC	-	-	1.00	0.80	0.31*	0.44*	0.63	0.77	1.00	1.18	1.40	70	130	
	632.441	○	○	○	○	CA	CC	-	-	1.35	1.10	0.62*	0.88	1.25	1.53	1.98	2.34	2.80	75	145	
	632.481	○	○	○	○	CA	CC	-	-	1.50	1.20	0.80*	1.13	1.60	1.96	2.53	2.99	3.58	75	150	
30°	632.302	○	○	○	○	CA	CC	-	-	0.60	0.50	0.16*	0.23*	0.32	0.39	0.51	0.60	0.72	120	235	
	632.362	○	○	○	○	CA	CC	-	-	1.00	0.70	0.31*	0.44*	0.63	0.77	1.00	1.18	1.40	120	235	
	632.402	○	○	○	○	CA	CC	-	-	1.20	0.90	0.50*	0.71	1.00	1.23	1.58	1.87	2.24	120	235	
	632.482	○	○	○	○	CA	CC	-	-	1.50	1.10	0.80*	1.13	1.60	1.96	2.53	2.99	3.58	120	235	
	632.562	○	○	○	○	CA	CC	-	-	2.00	1.50	1.25	1.77	2.50	3.06	3.95	4.68	5.59	120	235	
	632.642	○	○	○	-	-	CC	-	-	2.50	1.80	2.00	2.83	4.00	4.90	6.33	7.48	8.94	120	240	
	632.722	○	○	○	-	-	CC	-	-	3.00	2.40	3.15	4.46	6.30	7.72	9.96	11.79	14.09	125	240	
	632.762	○	○	○	-	-	CC	-	-	3.50	2.70	4.00	5.66	8.00	9.80	12.65	14.97	17.89	125	240	
	632.802	○	○	○	-	-	CC	-	-	4.00	3.10	5.00	7.07	10.00	12.25	15.81	18.71	22.36	130	250	

¹We reserve the right to deliver 303 SS or 304 SS under the material no. 16.
²We reserve the right to deliver 316Ti SS or 316L SS under the material no. 17.
 A = equivalent bore diameter · E = narrowest free cross section
 * Differing spray pattern
 Subject to technical modifications.



Continued on next page.

Example	Type	+	Material-no.	+	Code	=	Ordering no.
for ordering:	632.301	+	16	+	CA	=	632.301.16.CC



Flat fan nozzles Series 632/633



Spray angle 	Ordering no.								A Ø [mm]	E Ø [mm]	V [l/min]								Spray width B at p=2 bar 		
	Type	Mat. no.				Code					p [bar]								H = 200 mm	H = 500 mm	
		16 ¹ 303 SS/ 304 SS	17 ² 316Ti SS/ 316L SS	30 Brass	5E PVDF	1/8 BSPT	1/4 BSPT	3/8 BSPT			1/2 BSPT	0.5	1.0	2.0	3.0	5.0	7.0	10.0			
45°	632.303	○	○	○	-	CA	CC	-	-	0.70	0.50	0.16*	0.23*	0.32	0.39	0.51	0.60	0.72	150	270	
	632.363	○	○	○	○	CA	CC	-	-	1.00	0.60	0.31*	0.44*	0.63	0.77	1.00	1.18	1.40	155	280	
	632.403	○	○	○	○	CA	CC	-	-	1.20	0.90	0.50*	0.71	1.00	1.23	1.58	1.87	2.24	175	320	
	632.483	○	○	○	○	CA	CC	-	-	1.50	1.10	0.80*	1.13	1.60	1.96	2.53	2.99	3.58	180	340	
	632.563	○	○	○	○	CA	CC	-	-	2.00	1.40	1.25	1.77	2.50	3.06	3.95	4.68	5.59	185	355	
	632.643	○	○	○	○	CA	CC	-	-	2.50	1.80	2.00	2.83	4.00	4.90	6.33	7.48	8.94	195	370	
	632.673	○	○	○	-	-	CC	CE	-	2.70	2.00	2.83	3.36	4.75	5.82	7.51	8.89	10.62	200	375	
	632.723	○	○	○	-	-	CC	CE	-	3.00	2.40	3.15	4.46	6.30	7.72	9.96	11.79	14.09	200	375	
	632.763	○	○	○	-	-	CC	CE	-	3.50	2.60	4.00	5.66	8.00	9.80	12.65	14.97	17.89	200	380	
	632.803	○	○	○	-	-	CC	CE	CG	4.00	3.00	5.00	7.07	10.00	12.25	15.81	18.71	22.36	205	385	
	632.843	○	○***	○	-	-	CC	-	CG	4.50	3.40	6.25	8.84	12.50	15.31	19.76	23.39	27.95	205	385	
	632.883	○	○	○	-	-	-	-	CG	5.00	3.80	8.00	11.31	16.00	19.60	25.30	29.93	35.78	220	440	
632.923	○	○	○	-	-	-	-	CG	5.50	4.20	10.00	14.14	20.00	24.50	31.62	37.42	44.72	220	440		
632.963	○	○	○	-	-	-	-	CG	6.00	4.40	12.50	17.68	25.00	30.62	39.53	46.77	55.90	220	440		
60°	632.304	○	○	○	○	CA	CC	-	-	0.70	0.40	0.16*	0.23*	0.32	0.39	0.51	0.60	0.72	215	425	
	632.334	○	○	○	○	CA	CC	-	-	0.90	0.50	0.22*	0.32*	0.45	0.55	0.71	0.84	1.01	220	440	
	632.364	○	○	○	○	CA	CC	-	-	1.00	0.60	0.31*	0.44*	0.63	0.77	1.00	1.18	1.40	230	460	
	632.404	○	○	○	○	CA	CC	-	-	1.20	0.80	0.50*	0.71	1.00	1.23	1.58	1.87	2.24	245	485	
	632.444	○	○	○	○	CA	CC	-	-	1.35	0.90	0.62*	0.88	1.25	1.53	1.98	2.34	2.80	255	495	
	632.484	○	○	○	○	CA	CC	-	-	1.50	1.00	0.80*	1.13	1.60	1.96	2.53	2.99	3.58	260	510	
	632.514	○	○	○	○	CA	CC	-	-	1.65	1.10	0.95*	1.34	1.90	2.33	3.00	3.56	4.25	270	520	
	632.564	○	○	○	○	CA	CC	-	-	2.00	1.30	1.25	1.77	2.50	3.06	3.95	4.68	5.59	280	535	
	632.604	○	○	○	○	CA	CC	-	-	2.20	1.50	1.58	2.23	3.15	3.86	4.98	5.89	7.04	290	550	
	632.644	○	○	○	○**	-	CC	CE	-	2.50	1.60	2.00	2.83	4.00	4.90	6.33	7.48	8.94	295	565	
	632.674	○	○	○	○**	-	CC	CE	-	2.70	1.80	2.38	3.36	4.75	5.82	7.51	8.89	10.62	300	575	
	632.724	○	○	○	○**	-	CC	CE	-	3.00	2.10	3.15	4.46	6.30	7.72	9.96	11.79	14.09	305	590	
	632.764	○	○	○	-	-	CC	CE	-	3.50	2.30	4.00	5.66	8.00	9.80	12.65	14.97	17.89	310	595	
	632.804	○	○***	○	○**	-	CC	-	CG	4.00	2.60	5.00	7.07	10.00	12.25	15.81	18.71	22.36	310	595	
	632.844	○	○***	○	○**	-	CC	-	CG	4.50	3.00	6.25	8.84	12.50	15.31	19.76	23.39	27.95	310	590	
	632.884	○	○***	○	○**	-	CC	-	CG	5.00	3.40	8.00	11.31	16.00	19.60	25.30	29.93	35.78	300	570	
	632.924	○	○	○	-	-	-	-	CG	5.50	4.10	10.00	14.14	20.00	24.50	31.62	37.42	44.72	330	630	
	632.964	○	○	○	-	-	-	-	CG	6.00	4.20	12.50	17.68	25.00	30.62	39.53	46.77	55.90	330	630	
633.004	○	○	-	-	-	-	-	CG	7.00	4.80	15.75	22.27	31.50	38.57	49.80	58.92	70.43	330	630		
633.044	○	○	○	-	-	-	-	CG	8.00	5.50	20.00	28.28	40.00	48.99	63.25	74.83	89.44	340	640		
633.084	○	○	○	-	-	-	-	CG	9.00	6.80	25.00	35.36	50.00	61.24	79.06	93.54	111.80	340	640		
75°	632.145	○	-	○	-	CA	CC	-	-	0.20	0.12	-	0.04*	0.05	0.06	0.08	0.09	0.11	280	550	
	632.165	○	-	○	-	CA	CC	-	-	0.20	0.14	-	0.05*	0.07	0.08	0.10	0.12	0.15	290	560	
	632.185	○	-	○	-	CA	CC	-	-	0.20	0.16	-	0.06*	0.08	0.10	0.13	0.15	0.18	300	575	
	632.215	○	-	○	-	CA	CC	-	-	0.40	0.20	-	0.08*	0.11	0.14	0.18	0.21	0.25	300	580	
	632.245	○	-	○	-	CA	CC	-	-	0.50	0.30	-	0.12*	0.16	0.20	0.26	0.30	0.36	310	585	
	632.275	○	-	○	-	CA	CC	-	-	0.60	0.30	0.11*	0.16*	0.22	0.27	0.35	0.41	0.49	310	590	

¹ We reserve the right to deliver 303 SS or 304 SS under the material no. 16.
² We reserve the right to deliver 316Ti SS or 316L SS under the material no. 17.
 A = equivalent bore diameter · E = narrowest free cross section
 * Differing spray pattern
 ** Only available with code CC.
 *** Only available with code CG.
 Subject to technical modifications.

Continued on next page.



Example Type + Material-no. + Code = Ordering no.
for ordering: 632.303 + 16 + CA = 632.303.16.CA

Conversion formula for the above series: $\dot{V}_2 = \dot{V}_1 \cdot \sqrt{\frac{p_2}{p_1}}$



Flat fan nozzles Series 632/633



Spray angle 	Ordering no.								A Ø [mm]	E Ø [mm]	V̇ [l/min]								Spray width B at p=2 bar 		
	Type	Mat. no.				Code					p [bar]								H = 200 mm	H = 500 mm	
		16 ¹	17 ²	30	5E							0.5	1.0	2.0	3.0	5.0	7.0	10.0			
90°	632.216	○	-	○	-	CA	CC	-	-	0.40	0.20	-	0.08*	0.11	0.14	0.18	0.21	0.25	370	700	
	632.276	○	-	○	-	CA	CC	-	-	0.60	0.30	0.11*	0.16*	0.22	0.27	0.35	0.41	0.49	375	720	
	632.306	○	○	○	○	CA	CC	-	-	0.70	0.40	0.16*	0.23*	0.32	0.39	0.51	0.60	0.72	380	740	
	632.336	○	○	○	○	CA	CC	-	-	0.90	0.50	0.22*	0.32*	0.45	0.55	0.71	0.84	1.01	415	800	
	632.366	○	○	○	○	CA	CC	-	-	1.00	0.50	0.31*	0.44*	0.63	0.77	1.00	1.18	1.41	420	810	
	632.406	○	○	○	○	CA	CC	-	-	1.20	0.70	0.50*	0.71	1.00	1.23	1.58	1.87	2.24	430	820	
	632.446	○	○	○	○	CA	CC	-	-	1.35	0.80	0.62*	0.88	1.25	1.53	1.98	2.34	2.80	435	830	
	632.486	○	○	○	○	CA	CC	-	-	1.50	0.80	0.80*	1.13	1.60	1.96	2.53	2.99	3.58	440	835	
	632.516	○	○	○	○	CA	CC	-	-	1.65	0.90	0.95*	1.34	1.90	2.33	3.00	3.56	4.25	440	840	
	632.566	○	○	○	○	CA	CC	-	-	2.00	1.10	1.25	1.77	2.50	3.06	3.95	4.68	5.59	445	850	
	632.606	○	○	○	○	CA	CC	-	-	2.20	1.20	1.58	2.23	3.15	3.86	4.98	5.89	7.04	450	860	
	632.646	○	○	○	○**	-	CC	CE	-	2.50	1.30	2.00	2.83	4.00	4.90	6.33	7.48	8.94	455	865	
	632.676	○	○	○	○**	-	CC	CE	-	2.70	1.40	2.38	3.36	4.75	5.82	7.51	8.89	10.62	465	875	
	632.726	○	○	○	○**	-	CC	CE	-	3.00	1.70	3.15	4.46	6.30	7.72	9.96	11.79	14.09	470	885	
	632.766	○	○	○	○**	-	CC	CE	-	3.50	1.90	4.00	5.66	8.00	9.80	12.65	14.97	17.89	475	890	
	632.806	○	○***	○	○**	-	CC	-	CG	4.00	2.40	5.00	7.07	10.00	12.25	15.81	18.71	22.36	480	900	
	632.846	○	○***	○	○**	-	CC	-	CG	4.50	2.40	6.25	8.84	12.50	15.31	19.76	23.39	27.95	480	900	
	632.886	○	○***	○	○**	-	CC	-	CG	5.00	3.10	8.00	11.31	16.00	19.60	25.30	29.93	35.78	480	910	
632.926	○	○	○	-	-	-	-	CG	5.50	3.60	10.00	14.14	20.00	24.50	31.62	37.42	44.72	525	1020		
632.966	○	○	○	-	-	-	-	CG	6.00	3.90	12.50	17.68	25.00	30.62	39.53	46.77	55.90	525	1020		
120°	632.187	○	-	○	-	CA	CC	-	-	0.35	0.20	-	0.06*	0.08	0.10	0.13	0.15	0.18	630	1200	
	632.217	○	-	○	-	CA	CC	-	-	0.40	0.20	-	0.08*	0.11	0.14	0.18	0.21	0.25	640	1210	
	632.247	○	-	○	-	CA	CC	-	-	0.50	0.20	-	0.12*	0.16	0.20	0.26	0.30	0.36	650	1230	
	632.277	○	-	○	-	CA	CC	-	-	0.60	0.30	-	0.16*	0.22	0.27	0.35	0.41	0.49	660	1250	
	632.307	○	○	○	○	CA	CC	-	-	0.70	0.30	0.16*	0.23*	0.32	0.39	0.51	0.60	0.72	660	1250	
	632.337	○	○	○	○	CA	CC	-	-	0.90	0.40	0.22*	0.32*	0.45	0.55	0.71	0.84	1.01	670	1270	
	632.367	○	○	○	○	CA	CC	-	-	1.00	0.50	0.31*	0.44*	0.63	0.77	1.00	1.18	1.41	670	1270	
	632.407	○	○	○	○	CA	CC	-	-	1.20	0.60	0.50*	0.71	1.00	1.23	1.58	1.87	2.24	670	1270	
	632.447	○	○	○	○	CA	CC	-	-	1.35	0.60	0.62*	0.88	1.25	1.53	1.98	2.34	2.80	675	1270	
	632.487	○	○	○	○	CA	CC	-	-	1.50	0.60	0.80*	1.13	1.60	1.96	2.53	2.99	3.58	680	1275	
	632.517	○	○	○	○	CA	CC	-	-	1.65	0.90	0.95*	1.34	1.90	2.33	3.00	3.56	4.25	685	1280	
	632.567	○	○	○	○	CA	CC	-	-	2.00	0.90	1.25	1.77	2.50	3.06	3.95	4.68	5.59	690	1285	
	632.607	○	○	○	○	CA	CC	-	-	2.20	1.10	1.58	2.23	3.15	3.86	4.98	5.89	7.04	700	1300	
	632.647	○	○	○	-	-	CC	CE	-	2.50	1.30	2.00	2.83	4.00	4.90	6.33	7.48	8.94	700	1300	
	632.677	○	○	○	○**	-	CC	CE	-	2.70	1.40	2.38	3.36	4.75	5.82	7.51	8.89	10.62	720	1330	
	632.727	○	○	○	○**	-	CC	CE	-	3.00	1.60	3.15	4.46	6.30	7.72	9.96	11.79	14.09	740	1360	
	632.767	○	○	○	○**	-	CC	CE	-	3.50	1.70	4.00	5.66	8.00	9.80	12.65	14.97	17.89	760	1400	
	632.807	○	○***	○	-	-	CC	-	CG	4.00	2.00	5.00	7.07	10.00	12.25	15.81	18.71	22.36	790	1450	
632.847	○	○***	○	○**	-	CC	-	CG	4.50	2.30	6.25	8.84	12.50	15.31	19.76	23.39	27.95	790	1450		
632.887	○	○	○	-	-	-	-	CG	5.00	2.60	8.00	11.31	16.00	19.60	25.30	29.93	35.78	800	1460		
632.927	○	○	○	-	-	-	-	CG	5.50	2.90	10.00	14.14	20.00	24.50	31.62	37.42	44.72	800	1460		

¹ We reserve the right to deliver 303 SS or 304 SS under the material no. 16.
² We reserve the right to deliver 316Ti SS or 316L SS under the material no. 17.
 A = equivalent bore diameter · E = narrowest free cross section
 * Differing spray pattern
 ** Only available with code CC.
 *** Only available with code CG.
 Subject to technical modifications.

Example Type + Material-no. + Code = Ordering no.
for ordering: 632.216 + 16 + CA = 632.216.16. CA



Flat fan nozzles for retaining nut Series 652





Assembly with retaining nut. Easy nozzle changing, simple jet alignment. Uniform, parabolic distribution of liquid. Spray pipes equipped with these nozzles show an extremely uniform total liquid distribution.

Applications:

Cleaning (e.g. surfaces, filters, belts), crate washers, lubricating, coating.



Spray angle 	Ordering no.					A Ø [mm]	E Ø [mm]	V̇ [l/min]								Spray width B at p=2 bar 	
	Type	Mat. no.						p [bar]								H = 250 mm	H = 500 mm
		16 303 SS	17 ¹ 316Ti SS/ 316L SS	30 Brass	5E PVDF			0.5	1.0	2.0	[US gal./ min] at 40 psi	3.0	5.0	10.0			
20°	652.301	○	○	○	○	0.70	0.60	0.16*	0.23*	0.32	0.10	0.39	0.51	0.72	65	125	
	652.361	○	○	○	○	1.00	0.80	0.31*	0.44*	0.63	0.20	0.77	1.00	1.40	65	125	
	652.441	○	○	○	○	1.35	1.10	0.62*	0.88	1.25	0.39	1.53	1.98	2.80	65	125	
	652.481	○	○	○	○	1.50	1.20	0.80*	1.13	1.60	0.50	1.96	2.53	3.58	65	125	
30°	652.302	○	○	○	○	0.60	0.50	0.16*	0.23*	0.32	0.10	0.39	0.51	0.72	115	230	
	652.362	○	○	○	○	1.00	0.70	0.31*	0.44*	0.63	0.20	0.77	1.00	1.40	115	230	
	652.402	○	○	○	○	1.20	0.90	0.50*	0.71	1.00	0.31	1.23	1.58	2.24	115	230	
	652.482	○	○	○	○	1.50	1.10	0.80*	1.13	1.60	0.50	1.96	2.53	3.58	115	230	
	652.562	○	○	○	○	2.00	1.50	1.25	1.77	2.50	0.78	3.06	3.95	5.59	115	230	
	652.642	○	○	○	-	2.50	1.80	2.00	2.83	4.00	1.24	4.90	6.33	8.94	120	230	
	652.722	○	○	○	-	3.00	2.40	3.15	4.46	6.30	1.95	7.72	9.96	14.09	120	235	
	652.762	○	○	○	-	3.50	2.70	4.00	5.66	8.00	2.48	9.80	12.65	17.89	120	235	
	652.802	○	○	○	-	4.00	3.10	5.00	7.07	10.00	3.10	12.25	15.81	22.36	120	240	
45°	652.303	○	○	○	-	0.70	0.50	0.16*	0.23*	0.32	0.10	0.39	0.51	0.72	180	340	
	652.363	○	○	○	○	1.00	0.60	0.31*	0.44*	0.63	0.20	0.77	1.00	1.40	185	340	
	652.403	○	○	○	○	1.20	0.90	0.50*	0.71	1.00	0.31	1.23	1.58	2.24	185	340	
	652.483	○	○	○	○	1.50	1.10	0.80*	1.13	1.60	0.50	1.96	2.53	3.58	185	340	
	652.563	○	○	○	○	2.00	1.40	1.25	1.77	2.50	0.78	3.06	3.95	5.59	185	340	
	652.643	○	○	○	○	2.50	1.80	2.00	2.83	4.00	1.24	4.90	6.33	8.94	185	345	
	652.723	○	○	○	-	3.00	2.40	3.15	4.46	6.30	1.95	7.72	9.96	14.09	190	355	
	652.763	○	○	○	-	3.50	2.60	4.00	5.66	8.00	2.48	9.80	12.65	17.89	190	355	
652.803	○	○	○	-	4.00	3.00	5.00	7.07	10.00	3.10	12.25	15.81	22.36	195	360		
60°	652.304	○	○	○	○	0.70	0.40	0.16*	0.23*	0.32	0.10	0.39	0.51	0.72	275	525	
	652.334	○	○	○	○	0.90	0.50	0.22*	0.32*	0.45	0.14	0.55	0.71	1.01	275	525	
	652.364	○	○	○	○	1.00	0.60	0.31*	0.44*	0.63	0.20	0.77	1.00	1.40	275	525	
	652.404	○	○	○	○	1.20	0.80	0.50*	0.71	1.00	0.31	1.23	1.58	2.24	275	525	
	652.444	○	○	○	○	1.35	0.90	0.62*	0.88	1.25	0.39	1.53	1.98	2.80	280	530	
	652.484	○	○	○	○	1.50	1.00	0.80*	1.13	1.60	0.50	1.96	2.53	3.58	280	530	
	652.514	○	○	○	○	1.65	1.10	0.95*	1.34	1.90	0.59	2.33	3.00	4.25	280	530	
	652.564	○	○	○	○	2.00	1.30	1.25	1.77	2.50	0.78	3.06	3.95	5.59	280	525	
	652.604	○	○	○	○	2.20	1.50	1.58	2.23	3.15	0.98	3.86	4.98	7.04	280	520	
	652.644	○	○	○	○	2.50	1.60	2.00	2.83	4.00	1.24	4.90	6.33	8.94	275	520	
	652.674	○	○	○	○	2.70	1.80	2.38	3.36	4.75	1.47	5.82	7.51	10.62	275	520	
	652.724	○	○	○	○	3.00	2.10	3.15	4.46	6.30	1.95	7.72	9.96	14.09	275	520	
	652.764	○	○	○	-	3.50	2.30	4.00	5.66	8.00	2.48	9.80	12.65	17.89	270	515	
	652.804	○	○	○	○	4.00	2.60	5.00	7.07	10.00	3.10	12.25	15.81	22.36	270	510	
	652.844	○	○	-	-	4.50	3.00	6.25	8.84	12.50	3.88	15.31	19.76	27.95	270	510	
	652.884	○	-	○	-	5.00	3.40	8.00	11.31	16.00	4.96	19.60	25.30	35.78	270	505	

¹ We reserve the right to deliver 316Ti SS or 316L SS under the material no. 17.

A = equivalent bore diameter · E = narrowest free cross section ·

* Differing spray pattern

Continued on next page.



Conversion formula for the above series: $\dot{V}_2 = \dot{V}_1 \cdot \sqrt{\frac{p_2}{p_1}}$



Flat fan nozzles for retaining nut

Series 652



Spray angle 	Ordering no.					A Ø [mm]	E Ø [mm]	V̇ [l/min]							Spray width B at p=2 bar 	
	Type	Mat. no.						p [bar]							H = 250 mm	H = 500 mm
		16 303 SS	17 ¹ 316Ti SS/ 316L SS	30 Brass	5E PVDF			0.5	1.0	2.0	[US gal./min] at 40 psi	3.0	5.0	10.0		
75°	652.145	○	-	○	-	0.20	0.12	-	0.04*	0.05	0.02	0.06	0.08	0.11	285	550
	652.165	○	-	○	-	0.20	0.14	-	0.05*	0.07	0.02	0.08	0.10	0.15	285	555
	652.185	○	-	○	-	0.20	0.16	-	0.06*	0.08	0.02	0.10	0.13	0.18	290	560
	652.215	○	-	○	-	0.40	0.20	-	0.08*	0.11	0.03	0.14	0.18	0.25	290	560
	652.245	○	-	○	-	0.50	0.30	-	0.12*	0.16	0.05	0.20	0.26	0.36	290	560
	652.275	○	-	○	-	0.60	0.30	0.11*	0.16*	0.22	0.07	0.27	0.35	0.49	290	560
90°	652.216	○	-	○	-	0.40	0.20	0.06*	0.08*	0.11	0.03	0.14	0.18	0.25	380	760
	652.246	○	-	○	-	0.50	0.30	0.08*	0.12*	0.16	0.05	0.20	0.26	0.36	380	760
	652.276	○	-	○	-	0.60	0.30	0.11*	0.16*	0.22	0.07	0.27	0.35	0.49	450	795
	652.306	○	○	○	○	0.70	0.40	0.16*	0.23*	0.32	0.10	0.39	0.51	0.72	450	795
	652.336	○	○	○	○	0.90	0.50	0.22*	0.32*	0.45	0.14	0.55	0.71	1.01	450	795
	652.366	○	○	○	○	1.00	0.50	0.31*	0.44*	0.63	0.20	0.77	1.00	1.41	450	795
	652.406	○	○	○	○	1.20	0.70	0.50*	0.71	1.00	0.31	1.23	1.58	2.24	450	800
	652.446	○	○	○	○	1.35	0.80	0.62*	0.88	1.25	0.39	1.53	1.98	2.80	450	800
	652.486	○	○	○	○	1.50	0.80	0.80*	1.13	1.60	0.50	1.96	2.53	3.58	450	800
	652.516	○	○	○	○	1.65	0.90	0.95*	1.34	1.90	0.59	2.33	3.00	4.25	450	800
	652.566	○	○	○	○	2.00	1.10	1.25	1.77	2.50	0.78	3.06	3.95	5.59	450	805
	652.606	○	○	○	○	2.20	1.20	1.58	2.23	3.15	0.98	3.86	4.98	7.04	450	805
	652.646	○	○	○	○	2.50	1.30	2.00	2.83	4.00	1.24	4.90	6.33	8.94	450	805
	652.676	○	○	○	○	2.70	1.40	2.38	3.36	4.75	1.47	5.82	7.51	10.62	450	810
	652.726	○	○	○	○	3.00	1.70	3.15	4.46	6.30	1.95	7.72	9.96	14.09	450	810
	652.766	○	○	○	-	3.50	1.90	4.00	5.66	8.00	2.48	9.80	12.65	17.89	450	815
	652.806	○	○	○	○	4.00	2.40	5.00	7.07	10.00	3.10	12.25	15.81	22.36	450	820
	652.846	-	-	○	○	4.50	2.40	6.25	8.84	12.50	3.88	15.31	19.76	27.95	450	820
652.886	○	-	○	○	5.00	3.10	8.00	11.31	16.00	4.96	19.60	25.30	35.78	450	835	
120°	652.187	○	-	○	-	0.35	0.20	-	0.06*	0.08	0.02	0.10	0.13	0.18	640	1220
	652.217	○	-	○	-	0.40	0.20	-	0.08*	0.11	0.03	0.14	0.18	0.25	650	1230
	652.247	○	-	○	-	0.50	0.20	-	0.12*	0.16	0.05	0.20	0.26	0.36	655	1245
	652.277	○	-	○	-	0.60	0.30	-	0.16*	0.22	0.07	0.27	0.35	0.49	655	1250
	652.307	○	-	○	○	0.70	0.30	0.16*	0.23*	0.32	0.10	0.39	0.51	0.72	660	1260
	652.337	○	○	○	○	0.90	0.40	0.22*	0.32*	0.45	0.14	0.55	0.71	1.01	660	1260
	652.367	○	○	○	○	1.00	0.50	0.31*	0.44*	0.63	0.20	0.77	1.00	1.41	660	1265
	652.407	○	○	○	○	1.20	0.60	0.50*	0.71	1.00	0.31	1.23	1.58	2.24	660	1270
	652.447	○	○	○	○	1.35	0.60	0.62*	0.88	1.25	0.39	1.53	1.98	2.80	665	1270
	652.487	○	○	○	○	1.50	0.60	0.80*	1.13	1.60	0.50	1.96	2.53	3.58	665	1270
	652.517	○	○	○	○	1.65	0.90	0.95*	1.34	1.90	0.59	2.33	3.00	4.25	670	1275
	652.567	○	○	○	○	2.00	0.90	1.25	1.77	2.50	0.78	3.06	3.95	5.59	670	1280
	652.607	○	○	○	○	2.20	1.10	1.58	2.23	3.15	0.98	3.86	4.98	7.04	675	1285
	652.647	○	○	○	-	2.50	1.30	2.00	2.83	4.00	1.24	4.90	6.33	8.94	680	1295
	652.677	○	○	○	-	2.70	1.40	2.38	3.36	4.75	1.47	5.82	7.51	10.62	685	1300
	652.727	○	○	○	○	3.00	1.60	3.15	4.46	6.30	1.95	7.72	9.96	14.09	695	1315
	652.767	○	○	○	-	3.50	1.70	4.00	5.66	8.00	2.48	9.80	12.65	17.89	705	1330
	652.807	○	-	○	-	4.00	2.00	5.00	7.07	10.00	3.10	12.25	15.81	22.36	705	1330
652.847	-	-	-	○	4.50	2.30	6.25	8.84	12.50	3.88	15.31	19.76	27.95	800	1460	
652.887	-	-	-	○	5.00	2.60	8.00	11.31	16.00	4.96	19.60	25.30	35.78	800	1460	

¹ We reserve the right to deliver 316Ti SS or 316L SS under the material no. 17.

A = equivalent bore diameter · E = narrowest free cross section ·

* Differing spray pattern

Subject to technical modifications.

Example of ordering:	Type	+	Material no.	=	Ordering no.
	652.145	+	16	=	652.145.16.CA



Flat fan nozzles for belt lubrication

Series 652



Especially low flow rates.
Parabolic liquid distribution.

Applications:

Belt lubrication, moistening, spraying of food products, moisturization of rollers, oiling, lubrication of metal sheets.

Operating pressure range:
1 to 5 bar

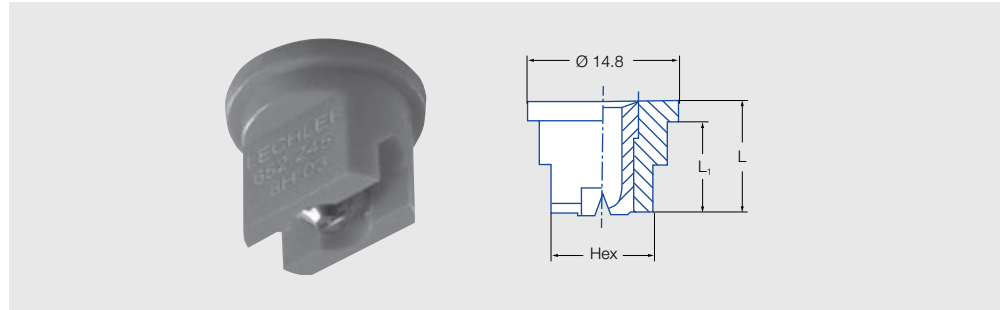
Recommended operating pressure:
3 bar

Viscosity:

The nozzles can be operated with viscous media, e. g. transmission fluid (max. approx. 200 mPas). However the spray angle decreases.

Return valve with filter:

- Prevents dripping and saves medium
- Size of filter mesh: 0.08 mm (200 mesh)
- **095.016.53.11.00**
Opening pressure: approx. 0.5 bar
Closing pressure: approx. 0.3 bar
- **095.016.53.14.63**
Opening pressure: approx. 2.8 bar
Closing pressure: approx. 1.6 bar

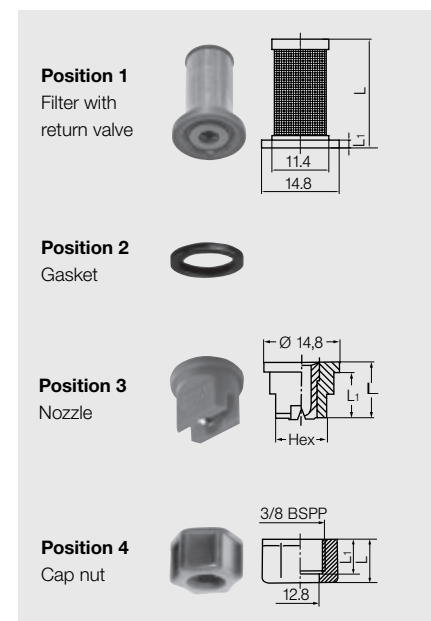


Spray angle	Ordering no.				Colour	E Ø [mm]	V̇ [l/min]			
	Type	Mat. no.					p [bar]			
		16	8H.03*	56.03			1.0	2.0	3.0	5.0
75°	652.145	○	○	○	green	0.12	0.04**	0.05	0.06	0.08
	652.165	○	○	-	black	0.14	0.05**	0.07	0.08	0.10
	652.185	○	○	○	red	0.16	0.06**	0.08	0.10	0.13
	652.215	○	○	○	blue	0.20	0.08**	0.11	0.14	0.18
	652.245	○	○	○	orange	0.30	0.12**	0.16	0.20	0.26
120°	652.275	○	○	-	brown	0.30	0.16**	0.22	0.27	0.35
	652.187	○	○	-	grey	0.20	0.06**	0.08	0.10	0.13
	652.247	○	○	-	black	0.20	0.12**	0.16	0.20	0.26
	652.277	○	○	-	black	0.30	0.16**	0.22	0.27	0.35

E = narrowest free cross section
* Housing POM, nozzle insert 303 SS
** Differing spray pattern.
Subject to technical modifications.

Pos.	Name	Ordering no.	Material	Colour	Dimensions [mm]			Filter mesh [mm]**
					L	L ₁	SW	
1	Filter with return valve	095.016.53.11.00	PP	blue	21	1.5	-	0.08
		095.016.53.14.63	PP	green	21	1.5	-	0.08
2	Gasket	065.240.55	PTFE	-	-	-	-	-
		065.240.72	EWP 210	-	-	-	-	-
3	Nozzle	Ordering no. see flow tables	303 SS	-	11	9	10	-
			POM/303 SS*	-	12	10	8	-
4	Cap nut	065.200.16	303 SS	-	13	10	22	-
		065.200.56	POM	black	14.5	11.5	22	-

* Housing POM, Nozzle insert 303 SS
** Size of mesh



Conversion formula for the above series: $\dot{V}_2 = \dot{V}_1 \cdot \sqrt{\frac{p_2}{p_1}}$



Tongue-type nozzles Series 686



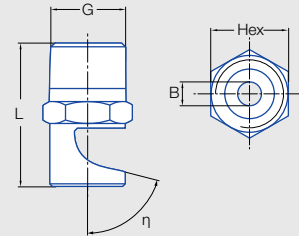
Wide flat fan with a sharply delimited jet pattern. Particularly clog-proof.

Applications:

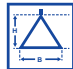
Foam control in storage tanks, crate washers, cleaning and washing processes requiring powerful and concentrated water jets.



(Mat. no. 16/5E)



Weight Brass: 18 g

Spray angle	η	Ordering no.								B Ø [mm]	V̇ [l/min]				Dimensions								Spray width B at p=2 bar  H = 250 mm
		Type	Mat. no.			Code G					p [bar]			L [mm]				Hex [mm]					
			16 303 SS	30 Brass	5E PVDF	CA 1/8 BSPT	CC 1/4 BSPT	CE 3/8 BSPT	CG 1/2 BSPT		1.0	2.0	5.0	R 1/8	R 1/4	R 3/8	R 1/2	R 1/8	R 1/4	R 3/8	R 1/2		
90°	75°	686.366	-	○	-	CA	-	-	-	0.80	0.45	0.63	1.00	22	-	-	-	11	-	-	-	520	
	75°	686.406	○	○	-	CA	-	-	-	1.00	0.71	1.00	1.58	23	-	-	-	11	-	-	-	525	
	40°	686.686	○	○	-	-	CC	-	-	2.40	3.54	5.00	7.91	-	29	-	-	-	14	-	-	530	
	40°	686.726	-	○	-	CA	-	-	-	2.70	4.45	6.30	9.96	26	-	-	-	11	-	-	-	530	
	40°	686.806	○	○	-	-	CC	-	-	3.40	7.07	10.00	15.81	-	34	-	-	-	14	-	-	530	
	40°	686.886	○	-	-	-	CC	-	-	4.20	11.31	16.00	25.30	-	36	-	-	-	17	-	-	530	
	40°	686.926	○	-	-	-	-	CE	-	4.70	14.14	20.00	31.62	-	-	39	-	-	-	17	-	530	
140°	75°	686.368	○	○	-	CA	-	-	-	0.80	0.45	0.63	1.00	23	-	-	-	11	-	-	-	1360	
		686.408	○	○	-	CA	-	-	-	1.00	0.71	1.00	1.58	23	-	-	-	11	-	-	-	1370	
		686.448	○	○	-	-	CC	-	-	1.20	0.88	1.25	1.98	-	28	-	-	-	14	-	-	1370	
		686.488	○	○	-	CA	CC	-	-	1.30	1.13	1.60	2.53	23	28	-	-	11	14	-	-	1370	
		686.528	○	○	-	CA	CC	-	-	1.50	1.41	2.00	3.16	23	28	-	-	11	14	-	-	1370	
		686.568	○	○	○*	CA	CC	-	-	1.70	1.77	2.50	3.59	23	28	-	-	11	14	-	-	1370	
		686.608	○	○	-	CA	CC	-	-	1.90	2.23	3.15	4.98	23	28	-	-	11	14	-	-	1370	
		686.648	○	○	-	-	CC	-	-	2.20	2.83	4.00	6.32	-	28	-	-	-	14	-	-	1370	
		686.688	○	○	-	CA	CC	-	-	2.40	3.54	5.00	7.91	23	28	-	-	11	14	-	-	1370	
		686.728	○	○	-	CA	CC	-	-	2.70	4.45	6.30	9.96	23	28	-	-	11	14	-	-	1370	
		686.768	○	○	-	-	CC	-	-	3.00	5.66	8.00	12.65	-	28	-	-	-	14	-	-	1370	
		686.808	○	○	-	CA	CC	-	-	3.40	7.07	10.00	15.81	23	28	-	-	11	14	-	-	1370	
		686.828	○	○	-	-	CC	-	-	3.60	7.92	11.20	17.71	-	28	-	-	-	14	-	-	1370	
		686.848	○	○	-	-	CC	-	-	3.80	8.80	12.50	19.76	-	28	-	-	-	14	-	-	1370	
		686.868	○	○	-	-	CC	-	-	4.00	9.90	14.00	22.14	-	28	-	-	-	14	-	-	1370	
		686.888	○	○	-	-	CC	-	-	4.20	11.31	16.00	25.30	-	28	-	-	-	14	-	-	1370	
		686.908	○	○	-	-	CC	-	-	4.50	12.73	18.00	28.46	-	28	-	-	-	14	-	-	1370	
		686.928	○	-	-	-	-	CE	-	4.70	14.14	20.00	31.62	-	-	32	-	-	-	17	-	1370	
686.968	-	○	-	-	-	-	CG	5.30	17.68	25.00	39.53	-	-	32	40	-	-	17	22	1370			
686.988	○	-	-	-	-	CE	CG	5.60	19.80	28.00	44.27	-	-	32	40	-	-	17	22	1370			

B = bore diameter
Can also be used for air or saturated steam.
* Only available with code CA

Example Type + Material no. + Code = Ordering no.
of ordering: 686.366 + 30 + CA = 686.366.30.CA



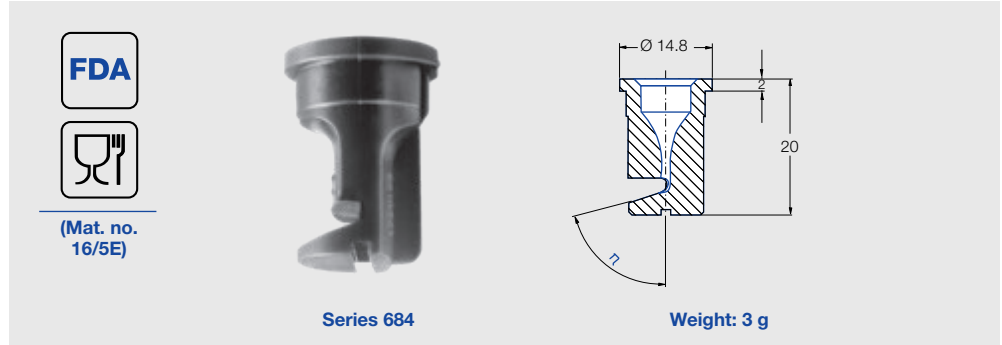
Tongue-type nozzles Series 684/688/689



Assembly with retaining nut. Wide flat fan with a sharply delimited spray pattern. Particularly clog-proof. Easy nozzle changing. Simple jet alignment.

Applications:

Foam control in storage tanks, crate washers, cleaning and washing processes requiring powerful and concentrated water jets.



Series 684

Weight: 3 g

Spray angle	η	Ordering no.				Colour**	B Ø [mm]	V̇ [l/min]			L [mm]	Spray width B at p=2 bar H = 250 mm
		Type	Mat. no.		p [bar]							
			56	5E	1.0			2.0	5.0			
			POM	PVDF								
140°	75°	684.348	○	-	green	0.7	0.35*	0.50	0.79	20	1360	
	75°	684.368	○	○	yellow	0.8	0.45*	0.63	1.00	20	1360	
	75°	684.408	○	-	blue	1.0	0.71	1.00	1.58	20	1370	
	75°	684.448	○	-	red	1.2	0.88	1.25	1.98	20	1370	
	75°	684.488	○	○	brown	1.3	1.13	1.60	2.53	20	1370	
	75°	684.528	○	-	grey	1.5	1.41	2.00	3.16	20	1370	
	75°	684.568	○	○	white	1.7	1.77	2.50	3.95	19	1370	
	75°	684.608	○	-	light blue	1.9	2.23	3.15	4.98	19	1370	
	75°	684.688	○	-	green	2.4	3.54	5.00	7.91	17	1370	
	75°	684.728	○	○	black	2.7	4.45	6.30	9.96	17	1370	
	75°	684.808	○	-	purple	3.4	7.07	10.00	15.81	16	1370	

B = bore diameter · * Differing spray pattern. · ** Material PVDF generally blue

Hard, sharp flat fan, narrowly delimited jet pattern. Not prone to clogging.

Applications:

Foam control in storage tanks, crate washers, cleaning and washing processes requiring powerful and concentrated water jets.



Series 688/689

Weight: 3 g

Spray angle	η	Ordering no.						B Ø [mm]	V̇ [l/min]				Dimensions		Weight	Spray width B at p=2 bar H = 250 mm H = 500 mm	
		Type	Mat. no.		Code G		p [bar]				L [mm]	Hex [mm]					
			16	5E	3/8 BSPT	3/4 BSPP	0.5		1.0	2.0			5.0				
			303 SS	PVDF	3/8 BSPT	3/4 BSPP											
45°	35°	688.763	○	-	CE	-	3.0	4.00	5.66	8.00	12.65	43	19	114 g	220	440	
	30°	688.843	○	-	CE	-	3.8	6.25	8.84	12.50	19.76	50	19	133 g	220	440	
	29°	689.923	○	-	CE	-	4.8	10.00	14.14	20.00	31.62	59	22	247 g	220	440	
	35°	689.003	○	○	-	90	6.0	15.75	22.27	31.50	49.81	80	32/24	306/33	250	490	

B = bore diameter

Conversion formula for the above series: $\dot{V}_2 = \dot{V}_1 \cdot \sqrt{\frac{p_2}{p_1}}$



High pressure flat fan nozzles Series 602/608/652



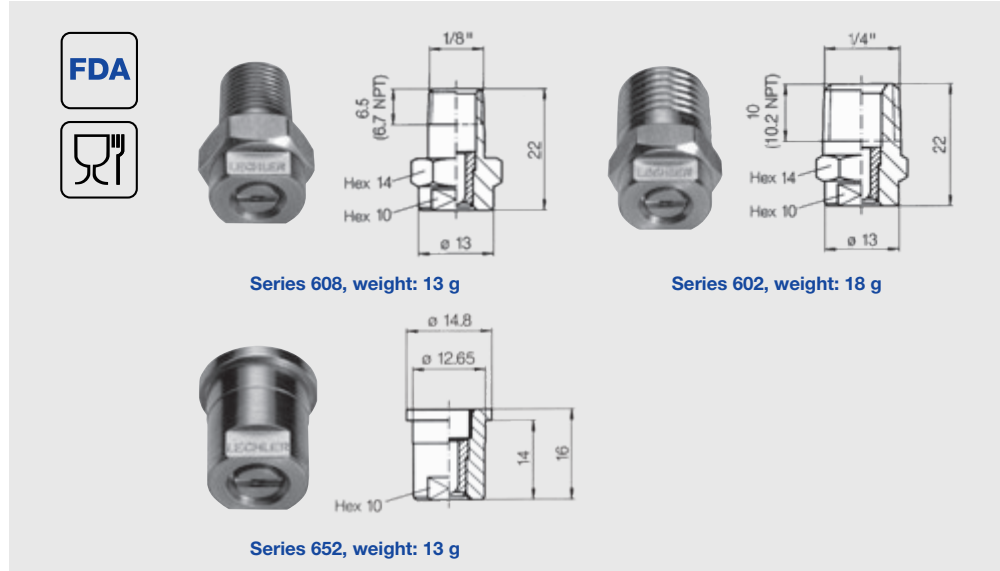
Sharp uniform flat fan with an extremely narrow jet depth.

Applications:

High pressure cleaners, steam jet cleaners.

Materials:

Nozzle body: 303 SS
Insert: hardened stainless steel 420F



US gal/min. at 40 psi	Nozzle-Code			Flow rate code				A Ø [mm]	V [l/min]						
	Connection			Spray angle					p [bar]						
	1/8	1/4	nut	20°	30°	45°	60°		40	60	80	100	120	150	200
02	608	602	652	361	362	363	364	1.00	2.88	3.53	4.08	4.56	5.00	5.58	6.45
021	608	602	652	371	372	373	374	1.02	3.03	3.71	4.28	4.79	5.25	5.87	6.77
025	608	602	652	381	382	383	384	1.10	3.60	4.42	5.10	5.70	6.24	6.98	8.06
028	608	602	652	391	392	393	394	1.16	4.04	4.94	5.71	6.38	6.99	7.81	9.02
03	608	602	652	401	402	403	404	1.18	4.32	5.29	6.11	6.83	7.48	8.37	9.66
034	608	602	652	411	412	413	414	1.30	4.90	6.00	6.93	7.75	8.49	9.49	10.96
038	608	602	652	441	442	443	-	1.33	5.48	6.72	7.75	8.67	9.50	10.62	12.26
04	608	602	652	451	452	453	454	1.35	5.77	7.06	8.16	9.12	9.99	11.17	12.90
043	608	602	652	461	462	-	-	1.38	6.20	7.59	8.77	9.80	10.74	12.00	13.86
045	608	602	652	471	472	473	474	1.40	6.49	7.95	9.18	10.26	11.24	12.57	14.51
05	608	602	652	481	482	483	484	1.55	7.21	8.83	10.20	11.40	12.49	13.96	16.12
055	608	602	652	501	502	503	504	1.60	7.93	9.71	11.22	12.54	13.74	15.36	17.73
06	608	602	652	521	522	523	524	1.72	8.65	10.60	12.24	13.68	14.99	16.75	19.35
065	608	602	652	531	532	533	534	1.75	9.37	11.48	13.26	14.82	16.23	18.15	20.96
07	608	602	652	541	542	543	544	1.80	10.09	12.36	14.28	15.96	17.48	19.55	22.57
075	608	602	652	551	552	553	554	1.90	10.81	13.25	15.29	17.10	18.73	20.94	24.18
08	608	602	652	571	572	573	574	2.05	11.54	14.13	16.31	18.24	19.98	22.34	25.80
087	608	602	652	581	582	583	584	2.06	12.54	15.36	17.74	19.83	21.72	24.29	28.04
09	608	602	652	591	592	593	594	2.10	12.98	15.89	18.35	20.52	22.48	25.13	29.02
10	608	602	652	601	602	603	604	2.30	14.41	17.65	20.38	22.79	24.97	27.91	32.23
11	-	602	652	621	622	623	624	2.40	15.86	19.42	22.42	25.07	27.46	30.70	35.45
125	-	602	652	641	642	643	644	2.50	18.02	22.07	25.48	28.49	31.21	34.89	40.29
131	-	602	652	651	652	653	654	2.55	18.89	23.13	26.71	29.86	32.71	36.57	42.23
139	-	602	652	661	662	663	664	2.65	20.04	24.54	28.34	31.68	34.70	38.80	44.80
15	-	602	652	671	672	673	674	2.70	21.62	26.48	30.58	34.19	37.45	41.87	48.35
175	-	602	652	701	702	703	704	3.00	25.23	30.90	35.68	39.89	43.70	48.86	56.41
20	-	602	652	-	-	723	724	3.05	28.83	35.31	40.78	45.59	49.94	55.84	64.47
25	-	602	652	-	-	763	764	3.50	36.04	44.14	50.97	56.99	62.43	69.80	80.60
30	-	602	652	-	-	793	-	3.90	43.25	52.97	61.16	68.38	74.91	83.75	96.70

A = equivalent bore diameter

Connection Code	Connection	p _{max} * [bar]
A3.00	BSPT	ca. 700
A3.07	NPT	ca. 700
A3.29	Lock nut	ca. 300

* Only valid for operation at constant pressure

Example for ordering: Nozzle code **602** + Flow rate code **361** + Connection code **A3.00** = Ordering no. **602.361.A3.00**
(Flat fan 20°; 4.56 l/min. at 100 bar; 1/4 NPT)



Conversion formula for the above series: $\dot{V}_2 = \dot{V}_1 * \sqrt{\frac{p_2}{p_1}}$



Easy-Clip nozzle system



Quick and easy assembly with clamp. No tools required. Allround swivelling by 30°. Easy adjustment and cleaning.

Applications:

Degreasing, phosphating in surface treatment.

Materials:

Clamp: 301 SS
 Sealing: EPDM
 Cylinder pin, screw and screw unit: 316 SS.
 Body, ball retainer cap: PP, reinforced.
 Nozzle, ball joint: PP



Sets

Existing of

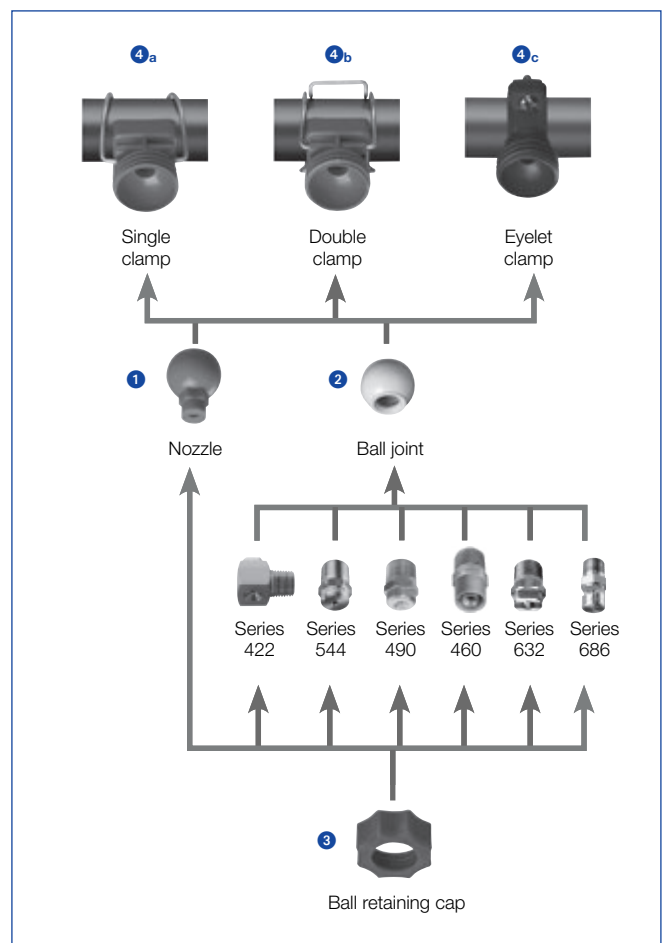
- Nozzle
- Single clamp for 1 1/4" pipe
- Ball retainer cap

Ordering no.	Nozzle colour		V̇ [l/min]				
			p [bar]				
			0.5	1.0	1.5	2.0	2.5
676.724.53.31	grey	60°	3.15	4.45	5.45	6.30	7.04
676.764.53.31	brown	60°	4.00	5.66	6.93	8.00	8.94
676.804.53.31	lilac	60°	5.00	7.07	8.66	10.00	11.18
676.844.53.31	yellow	60°	6.25	8.84	10.83	12.50	13.98
676.884.53.31	red	60°	8.00	11.31	13.85	16.00	17.89
676.904.53.31	blue	60°	9.10	12.87	15.76	18.20	20.35
676.924.53.31	green	60°	10.00	14.14	17.32	20.00	22.36

Existing of

- Ball joint
- Single clamp for 1 1/4" pipe
- Ball retainer cap

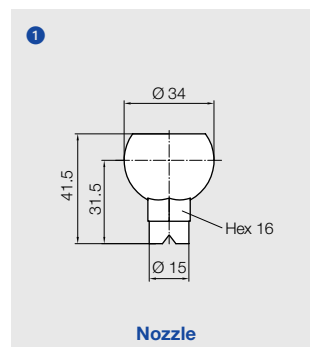
Ordering no.	Ball colour	Nozzle connection	For nozzle series
092.081.53.AB	beige	1/8 BSPP	460, 490, 632, 686, 544
092.081.53.AD	beige	1/4 BSPP	422, 460, 490, 544, 632, 686
092.081.53.AF	beige	3/8 BSPP	422, 460, 490, 632, 686, 688
092.081.53.AH	beige	1/2 BSPP	422, 460, 490, 632, 686



Components

1 Nozzle

Ordering no.	Nozzle colour		V̇ [l/min]				
			p [bar]				
			0.5	1.0	1.5	2.0	2.5
676.724.53.30.01	grey	60°	3.15	4.45	5.45	6.30	7.04
676.764.53.30.01	brown	60°	4.00	5.66	6.93	8.00	8.94
676.804.53.30.01	lilac	60°	5.00	7.07	8.66	10.00	11.18
676.844.53.30.01	yellow	60°	6.25	8.84	10.83	12.50	13.98
676.884.53.30.01	red	60°	8.00	11.31	13.85	16.00	17.89
676.904.53.30.01	blue	60°	9.10	12.87	15.67	18.20	20.35
676.924.53.30.01	green	60°	10.00	14.14	17.32	20.00	22.36
092.080.53.00.01	grey		Blind nozzle				



Conversion formula for the above series: $\dot{V}_2 = \dot{V}_1 * \sqrt{\frac{p_2}{p_1}}$

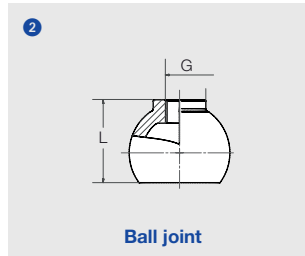


Easy-Clip nozzle system



2 Ball joint

Ordering no.	Colour	Nozzle connection	L [mm]	For nozzle series
092.080.53.AB.01	beige	1/8 BSPP	28.4	460, 490, 544, 632, 686
092.080.53.AD.01	beige	1/4 BSPP	32.4	422, 460, 490, 544, 632, 686
092.080.53.AF.01	beige	3/8 BSPP	31.4	422, 460, 490, 632, 686, 688
092.080.53.AH.01	beige	1/2 BSPP	33.0	422, 460, 490, 632, 686



Ball joint

3 Ball retainer cap

Ordering no.
092.080.53.00.02

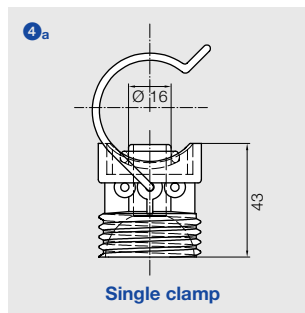


Ball retainer cap

4a Single clamp

Ordering no.	Spigot-Ø Br	Recommended bore-Ø	For Pipe-Ø
092.080.53.00	16.3 mm	16.5-17.0 mm	1" (32.0-34.5 mm)
092.081.53.00	16.3 mm	16.5-17.0 mm	1 1/4" (40.0-43.0 mm)
092.082.53.00	16.3 mm	16.5-17.0 mm	1 1/2" (46.0-49.0 mm)
092.083.53.00	16.3 mm	16.5-17.0 mm	2" (58.0-62.0 mm)

Other spigot-Ø (13.8/19.0 mm) on request.

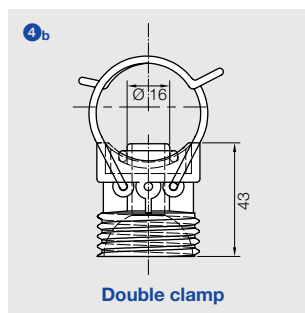


Single clamp

4b Double clamp

Ordering no.	Spigot-Ø Br	Recommended bore-Ø	For Pipe-Ø
092.090.53.00	16.3 mm	16.5-17.0 mm	1" (32.0-34.5 mm)
092.091.53.00	16.3 mm	16.5-17.0 mm	1 1/4" (40.0-43.0 mm)
092.092.53.00	16.3 mm	16.5-17.0 mm	1 1/2" (46.0-49.0 mm)
092.093.53.00	16.3 mm	16.5-17.0 mm	2" (58.0-62.0 mm)

Other spigot-Ø (13.8/19.0 mm) on request.

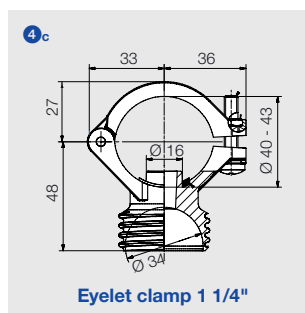


Double clamp

4c Eyelet clamp

Ordering no.	Spigot-Ø Br	Recommended bore-Ø	For Pipe-Ø
090.023.53.43.10	16 mm	16.5-17.0 mm	1" (32.0-34.5 mm)
090.033.53.43.10	16 mm	16.5-17.0 mm	1 1/4" (40.0-43.0 mm)
090.043.53.43.10	16 mm	16.5-17.0 mm	1 1/2" (46.0-49.0 mm)

Other bore diameter (13.8/20.0 mm) on request.



Eyelet clamp 1 1/4"



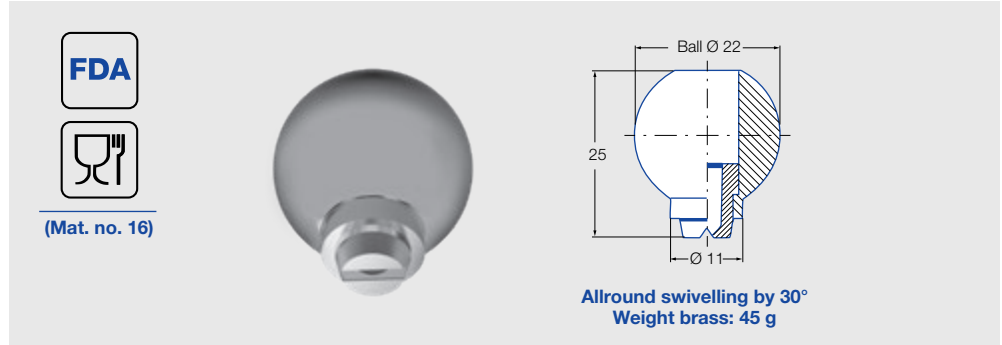
Flat fan nozzles with ball joint Series 676




Swivelling nozzle for precise adjusting of jet direction. No gaskets necessary. Long, unproblematic service life.

Applications:

Cleaning (e.g. surfaces, filters, belts), crate washers, lubricating, coating.



Spray angle 	Ordering no.		A Ø [mm]	E Ø [mm]	V̇ [l/min]						Spray width B at p=2 bar		
	Type	Mat. no.			p [bar] (p _{max} = 30 bar)						H = 250 mm	H = 500 mm	
		16			30	0.5	1.0	2.0	3.0	5.0			10.0
45°	676.303	○	○	0.70	0.50	0.16*	0.23*	0.32	0.39	0.51	0.72	150	270
	676.363	○	○	1.00	0.60	0.31*	0.44*	0.63	0.77	1.00	1.40	155	280
	676.403	○	○	1.20	0.90	0.50*	0.71	1.00	1.23	1.58	2.24	175	320
	676.483	○	○	1.50	1.10	0.80	1.13	1.60	1.96	2.53	3.58	180	340
	676.563	○	○	2.00	1.40	1.25	1.77	2.50	3.06	3.95	5.59	185	355
	676.643	○	○	2.50	1.80	2.00	2.83	4.00	4.90	6.33	8.94	195	370
	676.723	○	○	3.00	2.40	3.15	4.46	6.30	7.72	9.96	14.09	200	375
	676.763	○	○	3.50	2.60	4.00	5.66	8.00	9.80	12.65	17.89	200	380
676.803	○	○	4.00	3.00	5.00	7.07	10.00	12.25	15.81	22.36	205	385	
60°	676.304	○	○	0.70	0.40	0.16*	0.23*	0.32	0.39	0.51	0.72	215	425
	676.334	○	○	0.90	0.50	0.22*	0.32*	0.45	0.55	0.71	1.01	220	440
	676.364	○	○	1.00	0.60	0.31*	0.44*	0.63	0.77	1.00	1.40	230	460
	676.404	○	○	1.20	0.80	0.50*	0.71	1.00	1.23	1.58	2.24	245	485
	676.444	○	○	1.35	0.90	0.62*	0.88	1.25	1.53	1.98	2.80	255	495
	676.484	○	○	1.50	1.00	0.80*	1.13	1.60	1.96	2.53	3.58	260	510
	676.514	○	○	1.65	1.10	0.95*	1.34	1.90	2.33	3.00	4.25	270	520
	676.564	○	○	2.00	1.30	1.25	1.77	2.50	3.06	3.95	5.59	280	535
	676.604	○	○	2.20	1.50	1.58	2.23	3.15	3.86	4.98	7.04	290	550
	676.644	○	○	2.50	1.60	2.00	2.83	4.00	4.90	6.33	8.94	295	565
	676.674	○	○	2.70	1.80	2.38	3.36	4.75	5.82	7.51	10.62	300	575
	676.724	○	○	3.00	2.10	3.15	4.46	6.30	7.72	9.96	14.09	305	590
676.764	○	○	3.50	2.30	4.00	5.66	8.00	9.80	12.65	17.89	310	595	
90°	676.216	○	○	0.40	0.20	-	0.08*	0.11	0.14	0.18	0.25	370	700
	676.276	○	○	0.60	0.30	0.11*	0.16*	0.22	0.27	0.35	0.49	375	720
	676.306	○	○	0.70	0.40	0.16*	0.23*	0.32	0.39	0.51	0.72	380	740
	676.336	○	○	0.90	0.50	0.22*	0.32*	0.45	0.55	0.71	1.01	415	800
	676.366	○	○	1.00	0.50	0.31*	0.44*	0.63	0.77	1.00	1.40	420	810
	676.406	○	○	1.20	0.70	0.50*	0.71	1.00	1.23	1.58	2.24	430	820
	676.446	○	○	1.35	0.80	0.62*	0.88	1.25	1.53	1.98	2.80	435	830
	676.486	○	○	1.50	0.80	0.80*	1.13	1.60	1.96	2.53	3.58	440	835
	676.516	○	○	1.65	0.90	0.95*	1.34	1.90	2.33	3.00	4.25	440	840
	676.566	○	○	2.00	1.10	1.25	1.77	2.50	3.06	3.95	5.59	445	850
	676.606	○	○	2.20	1.20	1.58	2.23	3.15	3.86	4.98	7.04	450	860
	676.646	○	○	2.50	1.30	2.00	2.83	4.00	4.90	6.33	8.94	455	865
	676.676	○	○	2.70	1.40	2.38	3.36	4.75	5.82	7.51	10.62	465	875
	676.726	○	○	3.00	1.70	3.15	4.46	6.30	7.72	9.96	14.09	470	885

A = equivalent bore diameter · E = narrowest free cross section
* Differing spray pattern


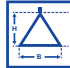
Continued on next page.

Conversion formula for the above series: $\dot{V}_2 = \dot{V}_1 \cdot \sqrt{\frac{p_2}{p_1}}$



Flat fan nozzles with ball joint Series 676



Spray angle 	Ordering no.		A Ø [mm]	E Ø [mm]	V [l/min]						Spray width B at p=2 bar 		
	Type	Mat. no.			p [bar] (p _{max} = 30 bar)						H = 250 mm	H = 500 mm	
		16			30	0.5	1.0	2.0	3.0	5.0			10.0
120°	676.187	○	○	0,35	0,20	-	0,06*	0,08	0,10	0,13	0,18	630	1200
	676.217	○	○	0,40	0,20	-	0,08*	0,11	0,14	0,18	0,25	640	1210
	676.247	○	○	0,50	0,20	-	0,12*	0,16	0,20	0,26	0,36	650	1230
	676.277	○	○	0,60	0,30	-	0,16*	0,22	0,27	0,35	0,49	660	1250
	676.307	○	○	0,70	0,30	0,16*	0,23*	0,32	0,39	0,51	0,72	660	1250
	676.337	○	○	0,90	0,40	0,22*	0,32*	0,45	0,55	0,71	1,01	670	1270
	676.367	○	○	1,00	0,50	0,31*	0,44*	0,63	0,77	1,00	1,40	670	1270
	676.407	○	○	1,20	0,60	0,50*	0,71	1,00	1,23	1,58	2,24	670	1270
	676.447	○	○	1,35	0,60	0,62*	0,88	1,25	1,53	1,98	2,80	675	1270
	676.487	○	○	1,50	0,60	0,80*	1,13	1,60	1,96	2,53	3,58	680	1275
	676.517	○	○	1,65	0,90	0,95*	1,34	1,90	2,33	3,00	4,25	685	1280
	676.567	○	○	2,00	0,90	1,25	1,77	2,50	3,06	3,95	5,59	690	1285
	676.607	○	○	2,20	1,10	1,58	2,23	3,15	3,86	4,98	7,04	700	1300
	676.647	○	○	2,50	1,30	2,00	2,83	4,00	4,90	6,33	8,94	700	1300
	676.677	○	○	2,70	1,40	2,38	3,36	4,75	5,82	7,51	10,62	720	1330
	676.727	○	○	3,00	1,60	3,15	4,46	6,30	7,72	9,96	14,09	740	1360
676.767	○	○	3,50	1,70	4,00	5,66	8,00	9,80	12,65	17,89	760	1400	

A = equivalent bore diameter · E = narrowest free cross section
* Differing spray pattern

Example for ordering: Type **676.145** + Material-no. **16** = Ordering no. **676.145.16**

Accessories

Retaining nut
092.020.16.00.02
Material: 303 SS
092.020.30.00.02
Material: Brass



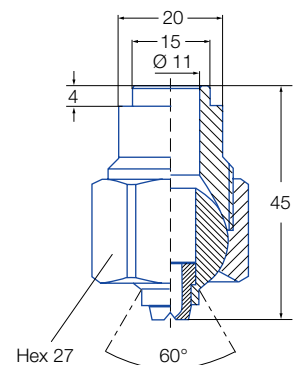
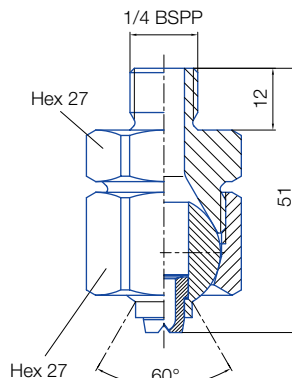
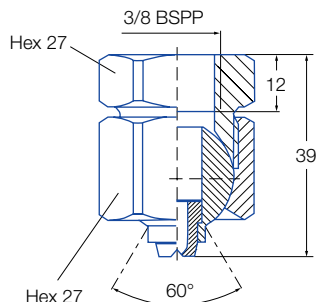
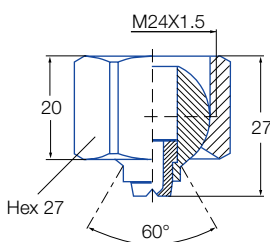
Socket
092.020.16.AF.03
Material: 303 SS
092.020.30.AF.03
Material: Brass



Retaining nipple
092.024.16.AC.03
Material: 303 SS
092.024.30.AC.03
Material: Brass



Welding nipple
092.020.17.00.04
Material: 316Ti SS





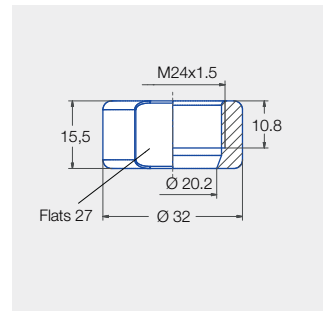
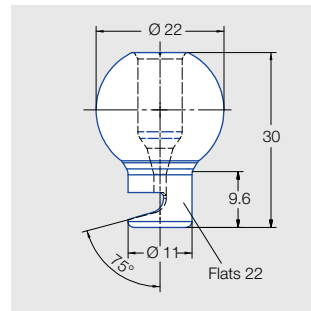
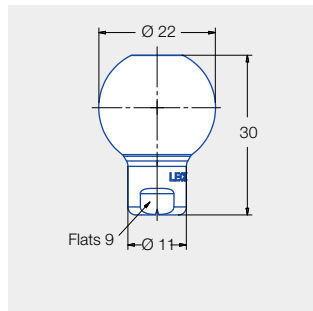
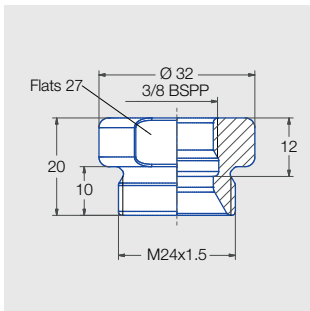
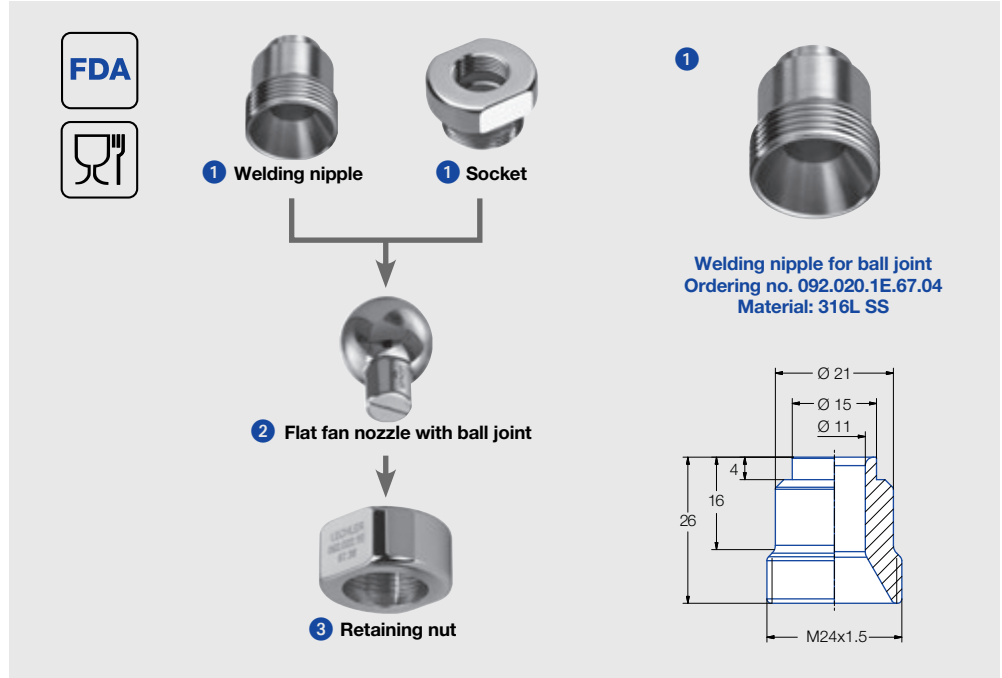
Nozzles and accessories in Hygienic Design

Features:

The hygienically designed nozzles and accessories are characterized by their very good surface finish (RA < 0.8 µm*). This minimizes the tendency for soiling and provides good cleanability. The nozzles and accessories are available in 316L SS or 316Ti SS and the seals are made of FDA approved EPDM.

Applications:

Aseptic filling, suitable for high hygienic demands.



* Surface quality of the thread flanks and welding surfaces may vary.

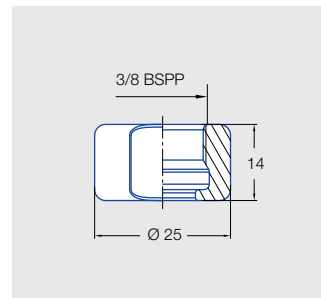
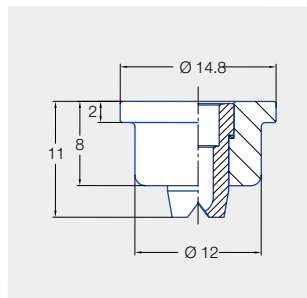
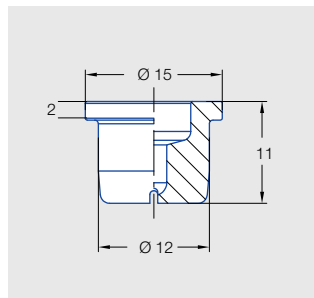
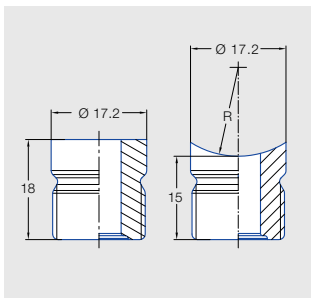
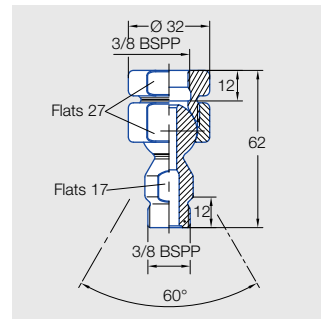
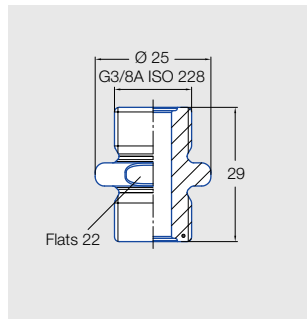
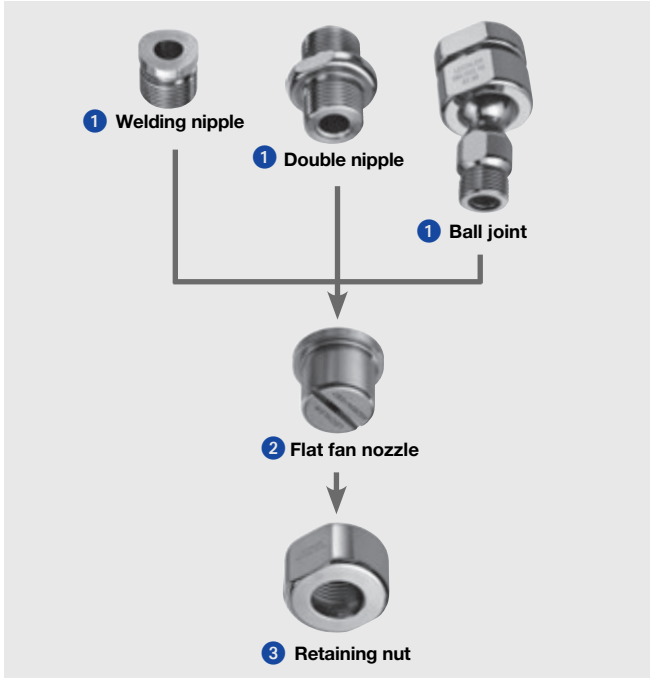
Spray angle	Ordering no.	Ṃ [l/min] at 2 bar
20°	676.641.17.67	4.00
30°	676.402.17.67	1.00
	676.562.17.67	2.50
	676.722.17.67	6.30
	676.802.17.67	10.00
45°	676.763.17.67	8.00
	676.883.17.67	16.00

Spray angle	Ordering no.	Ṃ [l/min] at 2 bar
60°	676.514.17.67	1.90
	676.764.17.67	8.00
90°	676.366.17.67	0.60
	676.646.17.67	4.00
120°	676.647.17.67	4.00
	676.767.17.67	8.00
140°	6ZK.648.1E.67	4.00

Conversion formula for the above series: $\dot{V}_2 = \dot{V}_1 * \sqrt{\frac{p_2}{p_1}}$



Nozzles and accessories in Hygienic Design



Ordering no.	Radius [mm]
065.210.1E.67.00	no radius
065.217.1E.67.10	10
065.217.1E.67.13	12.5
065.217.1E.67.16	16
065.217.1E.67.20	20
065.217.1E.67.31	31

Spray angle	Ordering no.	\dot{V} [l/min] at 2 bar
60°	652.604.1E.67	3.10
	652.924.1E.67	20.00

Spray angle	Ordering no.	\dot{V} [l/min] at 2 bar
60°	652.484.17.87	1.60
	652.514.17.87	1.90
	652.544.17.87	2.20
	652.564.17.87	2.50
	652.604.17.87	3.10
	652.644.17.87	4.00
	652.674.17.87	4.70
	652.724.17.87	6.30
652.764.17.87	8.00	



High-pressure solid stream nozzles Series 546/548/550



Punctiform, extremely tight, non-dispersing solid stream. Highest impact.

Applications:

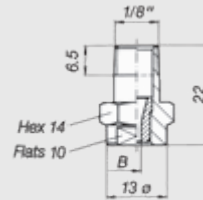
High-pressure cleaning, cutting and separating.

Materials:

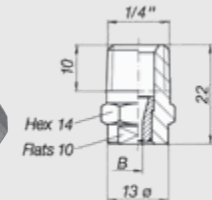
Nozzle body:
303 SS

Insert:

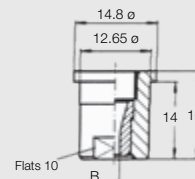
Hardened stainless steel
420F



Series 550, weight: 13 g



Series 546, weight: 18 g



Series 548, weight: 13 g

Connection Code	Connection	p _{max} * [bar]
A3.00	BSPT	ca. 700
A3.07	NPT	ca. 700
A3.29	Lock nut	ca. 300

* Only valid for operation at constant pressure

US gal/min. at 40 psi	Nozzle-Code			Flow rate code	B Ø [mm]	V̇ [l/min]							
	Connection					p [bar]							
	1/8	1/4	Retaining nut			40	60	80	100	120	150	200	300
01	550	546	548	300	0.60	1.44	1.77	2.04	2.28	2.50	2.79	3.22	3.95
02	550	546	548	360	0.84	2.88	3.53	4.08	4.56	5.00	5.58	6.45	7.90
025	550	546	548	380	0.94	3.60	4.42	5.10	5.70	6.24	6.98	8.06	9.87
027	550	546	548	390	0.99	3.89	4.76	5.50	6.15	6.74	7.53	8.70	10.65
03	550	546	548	400	1.03	4.33	5.30	6.12	6.84	7.49	8.38	9.67	11.85
034	550	546	548	410	1.07	4.90	6.00	6.93	7.75	8.49	9.49	10.96	13.42
035	550	546	548	420	1.11	5.05	6.18	7.14	7.98	8.74	9.77	11.29	13.82
038	550	546	548	440	1.15	5.48	6.71	7.75	8.66	9.49	10.61	12.25	15.00
04	550	546	548	450	1.19	5.77	7.06	8.16	9.12	9.99	11.17	12.90	15.80
045	550	546	548	470	1.26	6.49	7.95	9.18	10.26	11.24	12.57	14.51	17.77
05	550	546	548	480	1.33	7.21	8.83	10.20	11.40	12.49	13.96	16.12	19.75
055	550	546	548	500	1.39	7.93	9.71	11.22	12.54	13.74	15.36	17.73	21.72
06	550	546	548	520	1.46	8.65	10.60	12.24	13.68	14.99	16.75	19.35	23.69
065	550	546	548	530	1.51	9.37	11.48	13.26	14.82	16.23	18.15	20.96	25.67
070	550	546	548	540	1.58	10.09	12.36	14.28	15.96	17.48	19.55	22.57	27.64
074	550	546	548	550	1.62	10.67	13.07	15.09	16.87	18.48	20.66	23.86	29.22
08	550	546	548	570	1.69	11.54	14.13	16.31	18.24	19.98	22.34	25.80	31.59
087	550	546	548	580	1.76	12.54	15.36	17.74	19.83	21.72	24.29	28.04	34.35
089	550	546	548	590	1.78	12.83	15.72	18.15	20.29	22.23	24.85	28.69	35.14
10	550	546	548	600	1.88	14.41	17.65	20.38	22.79	24.97	27.91	32.23	39.47
11	550	546	548	620	1.97	15.86	19.42	22.42	25.07	27.46	30.70	35.45	43.42
124	550	546	548	640	2.09	17.87	21.89	25.28	28.26	30.96	34.61	39.97	48.95
131	550	546	548	650	2.15	18.89	23.13	26.71	29.86	32.71	36.57	42.23	51.72
139	550	546	548	660	2.22	20.04	24.54	28.34	31.68	34.70	38.80	44.80	54.87
15	550	546	548	670	2.30	21.62	26.48	30.58	34.19	37.45	41.87	48.35	59.22
165	550	546	548	690	2.41	23.79	29.13	33.64	37.61	41.20	46.06	53.19	65.14
174	550	546	548	700	2.48	25.08	30.72	35.47	39.66	43.45	48.57	56.09	68.69
183	550	546	548	710	2.55	26.38	32.31	37.31	41.71	45.69	51.08	58.99	72.24
20	550	546	548	720	2.66	28.83	35.31	40.78	45.59	49.94	55.84	64.47	78.96
218	550	546	548	740	2.77	31.43	38.49	44.44	49.69	54.43	60.86	70.27	86.07
25	550	546	548	760	2.96	36.04	44.14	50.97	56.99	62.43	69.80	80.60	98.71
294	550	546	548	790	3.22	42.38	51.91	59.94	67.01	73.41	82.07	94.77	116.06
310	550	546	548	800	3.30	44.69	54.73	63.20	70.66	77.40	86.54	99.93	122.39

A = equivalent bore diameter

Example of ordering:	Nozzle Code	+	Flow rate code	+	Connection code	=	Ordering no.
	550		360		A3.07		550.360.A3.07 (Solid stream; 4.56 l/min. at 100 bar; 1/8 NPT)

Conversion formula for the above series: $\dot{V}_2 = \dot{V}_1 \cdot \sqrt{\frac{p_2}{p_1}}$






Multi-channel flat fan nozzles for air Whisperblast®, Plastic versions Series 600.130/600.484

Particularly
silent!


**Highly efficient air stream,
acting upon areas.
Reduced noise levels.
Low air consumption.**

Applications:

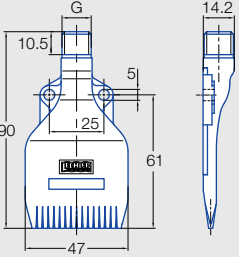
Blowing off and blowing out,
cleaning, drying, cooling,
sorting with air.


* Complies with OSHA requirements on noise level



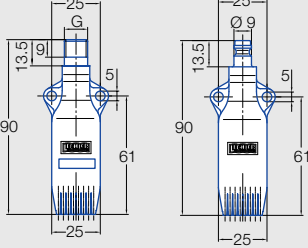
600.130 (POM or PP)



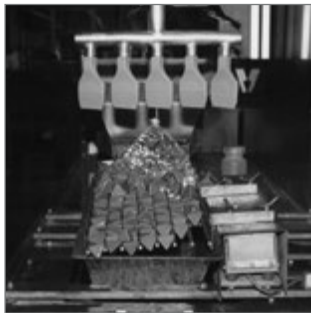
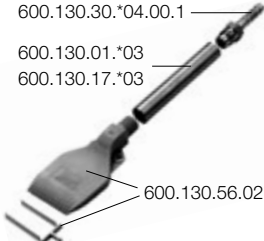
**Weight: 23 g · Tmax POM: 50 °C
Weight: 15 g · Tmax PP: 60 °C**



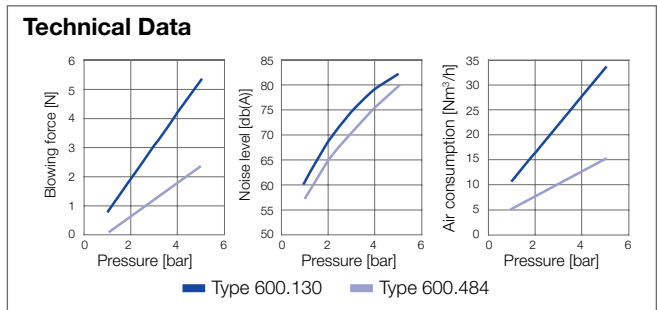
600.484.56 (POM)



Weight: 16 g · Tmax: 50 °C

600.130.30.*04.00.1
600.130.01.*03
600.130.17.*03
600.130.56.02
600.130.56.01 with accessories
*01 = 1.0711/17 = 316Ti SS/30 = Brass



Item 600.130.56.01 does not meet FDA/(EC) No. 1935/2004 requirements.

**Socket
Ordering no.
095.016.30.14.23.0**

Material: Brass

For connection of series 600.130 with compressed air guns.

Type	Ordering no.					
	Mat. no.		Code			
	S2	56				Quick connect coupling
	PP	POM	1/4 BSPP	1/4 NPT	M12 x 1.25	NW 5
600.130	○	○	AC	BC	-	-
600.130 with cover strip	-	○	02	-	-	-
600.130 with cover strip, Hose barb (D = 8 mm) and Extension tube (L = 85 mm)	-	○	01	-	-	-
600.484	-	○	AC	BC	HG	00



Ball joints see page 77

Example of ordering: Type 600.130 + Mat. no. 56 + Code AC = Ordering no. 600.130.56.AC



Multi-channel flat fan nozzles for air Whisperblast®, metallic versions Series 600.283/600.493/600.562

Particularly
silent!

Metallic versions for higher temperatures. Highly efficient air stream, acting upon areas. Reduced noise levels. Low air consumption.

Applications:

Blowing off and blowing out, cleaning, drying, cooling, conveying with air.

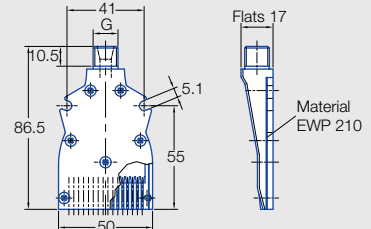


(Mat. no. 1Y)



Complies with OSHA requirements on noise level only

600.283.42 (Aluminum)

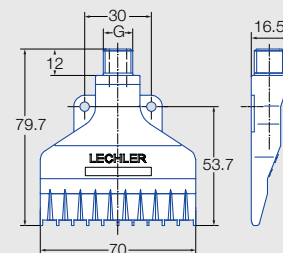


Weight: 60 g · Tmax: 200 °C



Complies with OSHA requirements

600.493.1Y (316L SS)

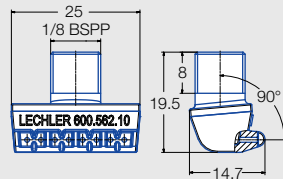


Weight: 126 g · Tmax: 550 °C



Complies with OSHA requirements

600.562.1Y.10 (316L SS)



Weight: 17 g · Tmax: 550 °C

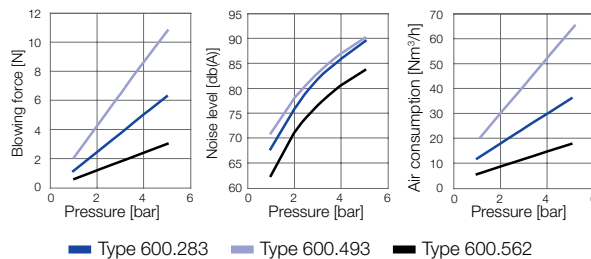


Socket
Ordering no.
095.016.30.14.23.0

Material: Brass

For connection with compressed air guns for the following series:
– 600.283
– 600.493

Technical data



Ball joints see page 77

For more information please ask for our special brochure »Nozzles and Accessories for Compressed Air«.



Type	Ordering no.				
	Mat. no.		Code		
	42	1Y	1/8 BSPP	1/4 BSPP	1/4 NPT
600.283	○	-	-	AC	BC
600.493	-	○	-	AC	BC
600.562.1Y.10	-	○	○	-	-

Example of ordering: Type 600.283 + Mat. no. 42 + Code AC = Ordering no. 600.283.42.AC



Multi-channel round jet nozzles for air Series 600. 326/600.388



Particularly
silent!

Powerful air jet, producing punctiform impact patterns. Low noise level. Low air consumption.

Applications:


Targeted blowing out and blowing off with compressed air guns.

Reduction of noise level of up to 12 dB (A).


600.326.5K (ABS)

Tmax: 50 °C



600.326.3W (Zinc)

Tmax: 90 °C

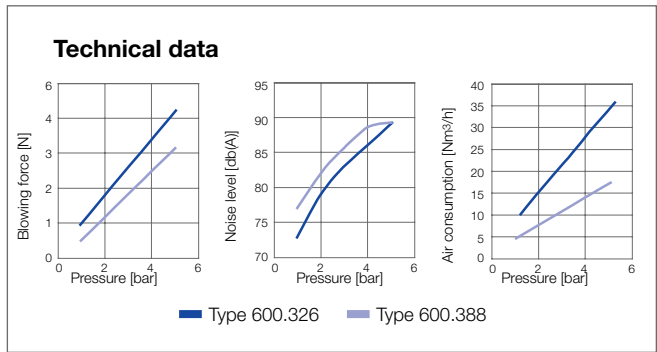


600.388.30 (Brass, POM)

Tmax: 50 °C

Mini-round jet nozzle. Compact design.

Applications:
Especially for blowing out pocket holes.



Ball joints see page 77

Ordering no.		Connection thread G	Weight
Type	Code		
600.326.5K (Material: ABS)	AC	1/4 BSPP	9 g
	HG	M 12 x 1.25	
600.326.3W (Material: Zinc)	AC	1/4 BSPP	47 g
	HG	M 12 x 1.25	
600.388.30 (Material: Brass/POM)	AA	1/8 BSPP	12 g
	HG	M 12 x 1.25	

Example of ordering: Type + Code = Ordering no.
600.326.5K + AC = 600.326.5K.AC



Accessories

Eyelet clamps/Retaining nuts



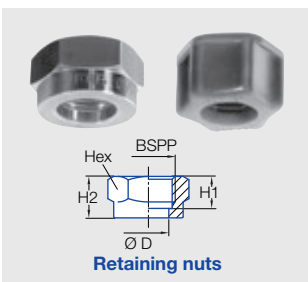
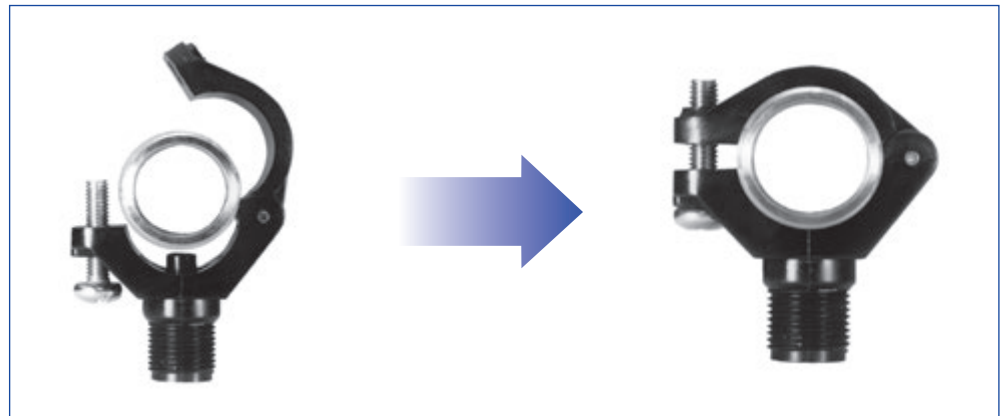
(Mat. no. 16/17/5E)



For Series	Ordering no.			Screw	Dimensions [mm]										Weight (Polyamid)	
	Type	Material no.			BSPP	Pipe Ø	D Ø	B ₁ * Ø	B ₂ ** Ø	B ₃	H ₁	H ₂				
		51	53										5E			
2TR/216/302/308/350 468/548/679/684/652	090.053	○	○	○	Material 304 SS	3/8	3/8"	16.5-18.0	6.0	6.2-6.4	19.0	22.0	18.5	34.5	14.5	20 g
	090.003	○	○	○		3/8	1/2"	20-22.0	6.0	6.2-6.4	21.2	23.8	18.5	36.5	16.5	20 g
	090.013	○	○	○		3/8	3/4"	25-27.5	7.6	7.8-8.0	24.5	26.5	22.0	39.5	17.5	25 g
	090.023	○	○	○		3/8	1"	32-34.5	10.6	10.8-11.0	30.0	31.0	22.0	44.0	21.0	32 g
	090.033	○	○	○		3/8	1 1/4"	40-43.0	12.6	12.8-13.0	34.0	35.5	25.0	48.0	25.0	38 g

* BR Ø = Spigot diameter

** B Ø = Recommended bore diameter



For Series	Ordering no.						Dimensions [mm]					Weight (Brass)	
	Type	Material no.					BSPP	H ₁	H ₂	D Ø	Hex		
		16	17 ¹	1Y	30	56							5E
2TR/468/ 548/652/660/ 679/684	065.200	○	○	-	○	-	-	3/8	13.0	10.0	12.8	22	25 g
	065.200	-	-	-	-	○	○	3/8	14.5	11.5	12.8	22	25 g
	069.000	○	-	○	○	-	-	UNF 11/16-16	14.3	8.7	13.1	21	25 g
656/657 664/665	065.600	○	○	-	○	-	○	3/4	16.0	13.0	20.1	32	60 g

¹ We reserve the right to deliver 316Ti SS or 316L SS under the material no. 17.

Example for ordering: Type 090.053 + Material no. 51 = Ordering no. 090.053.51



Accessories Sockets/Nipples



(Mat. no. 1Y/17)

For Series	Ordering no.					Dimensions [mm]							Weight (Brass)	
	Type	Material no.					G ₁	G ₂	H ₁	H ₂	D ₁	D ₂		Hex
		02	1Y	17	30	53								
		Steel	316L SS	316Ti SS	Brass	Polypropylene								
<p>Sockets</p>	For all nozzles with 1/8 male thread.	040.270	-	○	-	○	-	1/8 BSPP	20	10	13.8	-	14	20 g
	For all nozzles with 1/4 male thread.	061.220	-	○	-	○	-	1/4 BSPP	20	10	16.8	-	17	25 g
	For all nozzles with 3/8 male thread.	040.271	-	○	-	○	-	3/8 BSPP	20	10	21.5	-	22	25 g
		040.271	-	-	-	-	○	3/8 BSPP	20	10	24.5	-	22	25 g
<p>Sockets with radius (R = 10/13/16/20/25 or 31 mm)</p>	For all nozzles with 1/4 male thread.	040.228.xx.yy*	-	○	-	-	1/4 BSPP	-	18	2	17	-	-	16 g
<p>Nipple Other nipple lengths on request.</p>	2TR/216/302 308/350/548/ 656/657 468/679 /684/652	065.210	○	-	○	○	3/8 BSPP	-	18	10	17.2	11.5	-	20 g
	306/307 502/503 656/657	065.610	○	-	○	-	○	3/4 BSPP	-	27	14	28	18	-
<p>Nipple with radius (R = 10/13/16/20/25 or 31 mm)</p>	2TR/216/302/308/350 548/468/679/684/652	065.217.xx.yy*	-	-	○	-	3/8 BSPP	-	15	10	17.2	11.5	-	20 g
<p>Double nipples</p>	216/302/308 350/548/468 679/684/652	065.215'	-	-	○	○	3/8 BSPP	1/4 BSPP	25	10	10	7	22	30 g
		065.211	-	-	○	○	3/8 BSPP	3/8 BSPP	25	10	11.5	-	22	25 g
		065.611	-	-	○	○	-	3/4 BSPP	3/4 BSPP	35	14	18	-	32

* Replace **xx** by material no. and **yy** by radius R.

¹ Not to be used with non-return valve or filter.

Example **Type** + **Material no.** = **Ordering no.**
for ordering: 040. 270 + 1Y = 040. 270. 1Y

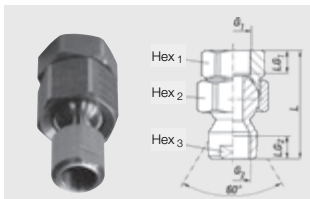


Accessories Ball joints

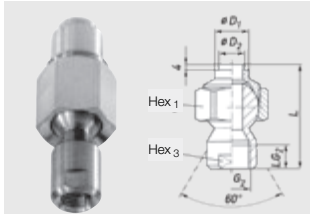


(Mat. no. 16)

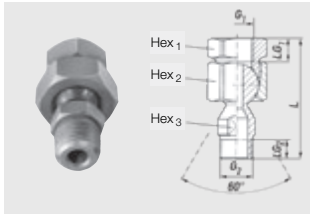
Allround swivelling action of 30°.
No sealings, no wear.
Long service life even after many adjustments.
P_{max}: 25 bar.



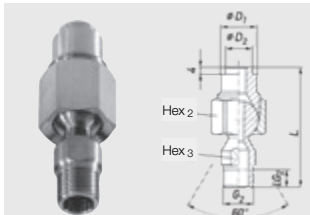
Ball joint with thread connection



Ball joint with welding connection



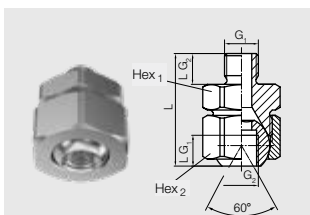
Ball joint with thread connection



Ball joint with welding connection

For Series	Ordering no.				Dimensions [mm]											Weight (Brass)
	Type	Material no.			Code	D ₁	D ₂	G ₁ BSPP	G ₂ BSPP	L _{G1}	L _{G2}	L	Hex ₁	Hex ₂	Hex ₃	
		16 303 SS/ 316Ti SS	16 303 SS	30 Brass												
For all nozzles with 1/4 male thread.	092.020	-	○	○	AD	-	-	1/4	1/4	12.0	11.5	60.3	27	27	17	190 g
	092.021	-	○	○	AF	-	-	3/8	1/4	12.0	11.5	58.3	27	27	17	170 g
For all nozzles with 3/8 male thread.	092.030	-	○	○	AF	-	-	3/8	3/8	12.0	12.0	56.7	27	30	19	160 g
For all nozzles with 1/4 male thread.	092.020	○	-	-	SD	20.0	15.0	-	1/4	-	11.5	64.3	-	27	17	150 g
	092.030	○	-	-	SF	22.0	15.0	-	3/8	-	12.0	58.7	-	30	19	150 g
2TR/216/302/308/350 548/468/679/684/652	092.022	-	○	○	AD	-	-	1/4	3/8	12.0	10.0	63.8	27	27	17	135 g
	092.022	-	○	○	AF	-	-	3/8	3/8	12.0	10.0	61.8	27	27	17	165 g
2TR/216/302/308/350 548/468/679/684/652	092.022	○	-	-	SE	20.0	15.0	-	3/8	-	10.0	67.8	-	27	17	155 g

Compact ball joints for narrow installation conditions



Ball joint with thread connection

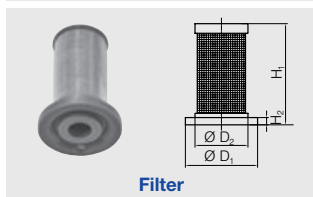
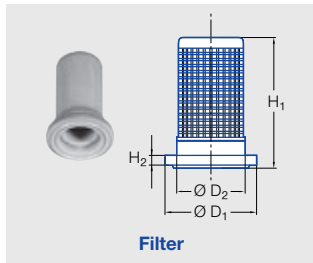
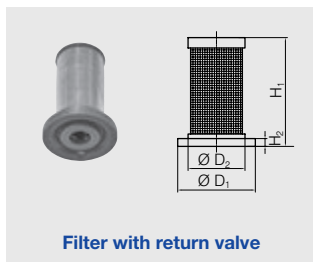
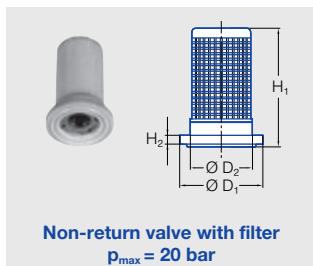
For all nozzles with 1/8 male thread	092.010	-	○	○	AA	-	-	1/8	1/8	8.0	8.0	29.3	22	24	-	70 g
For all nozzles with 1/4 male thread	092.024	-	○	○	AC	-	-	1/4	1/4	12.0	12.0	44	27	27	-	140 g
For all nozzles with 3/8 male thread	092.030	-	○	○	AE	-	-	3/8	3/8	12.0	12.0	44	27	30	-	160 g

Example Type + Material no. + Code = Ordering no.
for ordering: 092.020 + 16 + AD = 092.020.16.AD



Accessories

Non-return valves/filters



For nozzle size	Ordering no.				Colour	Opening pressure [bar]	Closing pressure [bar]	Mesh size [mm]	Dimensions [mm]				Weight
	Type	Material no.											
		56 POM	53 Polypropylen	26 Monel/ Copper									
xxx.32x-xxx.44x	065.265 Ball 420 SS Spring 301 SS	○	-	-	blue	0.5-1.0	0.4-0.9	0.25	21.5	2.0	14.8	11.0	2 g
xxx.48x-xxx.56x	065.266 Ball 420 SS Spring 301 SS	○	-	-	red	0.4-0.5	0.35-0.45	0.65	21.5	2.0	14.8	11.0	2 g
xxx.14x-xxx.36x	095.016.53.11.00 Ball 304 SS Spring 301 SS	-	○	-	blue	approx. 0.5	approx. 0.3	0.08	21.0	1.6	15.0	11.0	2 g
xxx.14x-xxx.36x	095.016.53.14.63 Ball 304 SS Spring 301 SS	-	○	-	green	approx. 2.8	approx. 1.6	0.08	21.0	1.6	15.0	11.0	2 g
xxx.32x-xxx.44x	065.257	○	-	-	blue	-	-	0.25	21.5	2.0	14.8	11.0	2 g
xxx.48x-xxx.56x	065.256	○	-	-	red	-	-	0.65	21.5	2.0	14.8	11.0	2 g
xxx.14x-xxx.36x	095.016.53.15.62	-	○	-	light pink	-	-	0.08	21.0	1.6	15.0	11.0	1 g
xxx.32x-xxx.44x	065.252	-	-	○	-	-	-	0.50	8.5	1.0	14.8	9.0	1 g

Example for ordering: Type **065.265** + Material no. **56** = Ordering no. **065.265.56**



Nozzle valve systems for variable atomization of very small liquid volumes

VarioSpray

VarioSpray HP

The HP valve range can be used to atomize a wide variety of liquids. All parts that come into contact with liquids are made of stainless steel, thereby complying with EC 1935/2004 and FDA regulations.

VarioSpray II

Nozzle valves in the VarioSpray II range can efficiently atomize the most minuscule liquid volumes. Their size makes these valves ideal for use in tight spaces. VarioSpray II is also available in a food version that complies with EC 1935/2004 and FDA regulations.

Applications:

Application of oil for applying seasonings, web humidification, release agent application, humidification.



Benefits across the board

Flexibility

The Lechler VarioSpray system is completely modular, allowing it to be adapted to individual requirements as flexibly as possible.

The result is a perfectly coordinated product portfolio including

- Optimum valve control by perfectly matched electronic components
- Modular spray headers
- Various predefined Lechler control concepts
- Individual advice from our sales personnel

Resource and cost savings

The aerosol-free atomization of small and minimal liquid volumes offers specific benefits for spray nozzle operation. The fact that no atomization air is used means a huge reduction in rebound effects.

The following costs are reduced as a result:

- Installation cleaning
- Operating costs of extraction systems
- Liquid losses because the liquid to be atomized is applied to the product in a more targeted manner

Minimal amounts

Thanks to the use of pulse-width-modulated valves, even the smallest liquid quantities can be hydraulically atomized with maximum precision.

This control method permits

- Flexible and immediate response to changed ambient parameters (e. g. belt speed)
- Uniform jet and spray quality
- Further application benefits due to a significantly increased turn-down ratio



Nozzle valve systems for variable atomization of very small liquid volumes

VarioSpray

Innovative and flexible spraying technology opens up new applications

Faster, more precise and now more sustainable. The demand for more efficient production processes is increasing in almost every industry. Even already extremely efficient spraying processes are affected – particularly when spraying very small liquid volumes.

Pneumatic atomizing systems are often used here because very small flow rates can be achieved using compressed air. However, this often makes control and installation extremely complex. Additionally, the use of air can have an unfavorable effect on operating costs. Aerosols may also be formed and liquid is lost due to the rebound effect.

With the VarioSpray II and VarioSpray HP hydraulic pulse-width-modulated nozzle valve systems, Lechler offers two alternatives that are as versatile as they are reliable.

With hydraulic nozzle systems, the narrowest cross section of the spray nozzle determines the liquid flow rate. For reasons of economy and production, however, arbitrary reduction of this narrowest cross section is not possible.

Instead, we use flexible timing of the spray duration to realize minimal flow rates – without the need for an expensive and complex pneumatic atomizing system.

In addition to the VarioSpray II and VarioSpray HP nozzle valve systems, a control unit is also required to permit simple modification of the pulse width and cycle frequency.

Your benefits

- Simple adjustment of the pulse width and cycle frequency
- Flushing function
- Modular design and modular system
- Start/stop signal (e.g. via light barrier)
- Individual valve control for VarioSpray HP

Product features Your benefit

Minimum flow rates

- Liquid saving
- No expensive, complex twin-fluid system

- ➔ Reduced costs
- ➔ Greater efficiency

Cycle frequency up to 200 Hz for VarioSpray HP, up to 100 Hz for VarioSpray II

- Flexible belt speeds

- ➔ Increased productivity
- ➔ Shorter production time

High turn-down ratio up to 29:1 with VarioSpray HP, up to 11:1 with VarioSpray II

- Wide range of flow rates covered by one nozzle

- ➔ More flexible production

Continuously variable flow rate

- Flexible adjustment of the volume applied for different products

- ➔ Shorter product change-over times

Different flow rates have no influence on spraying parameters

- Constant spray angle
- Uniform droplet size

- ➔ Constant process parameters

Flow rate is not regulated by pressure

- No high pressure required
- Simple setup

- ➔ Short installation time
- ➔ Low maintenance requirement
- ➔ Low operating costs

No atomization air

- No aerosol formation
- Reduced loss of liquid

- ➔ Reduced risks to health
- ➔ No environmental pollution
- ➔ Reduced costs

Food-compliant

- Spraying/humidification of foods

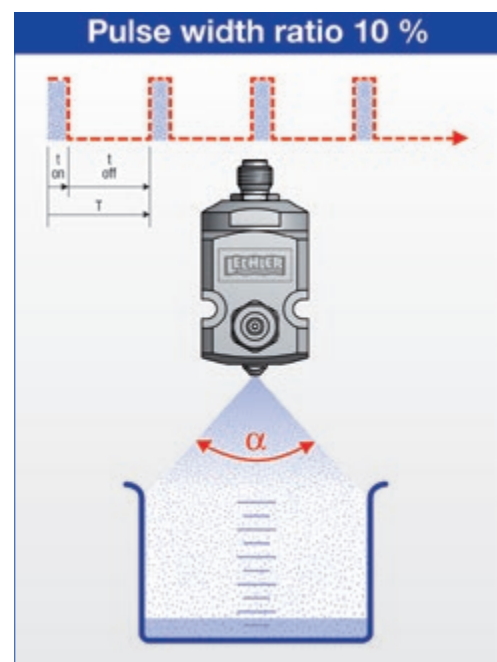
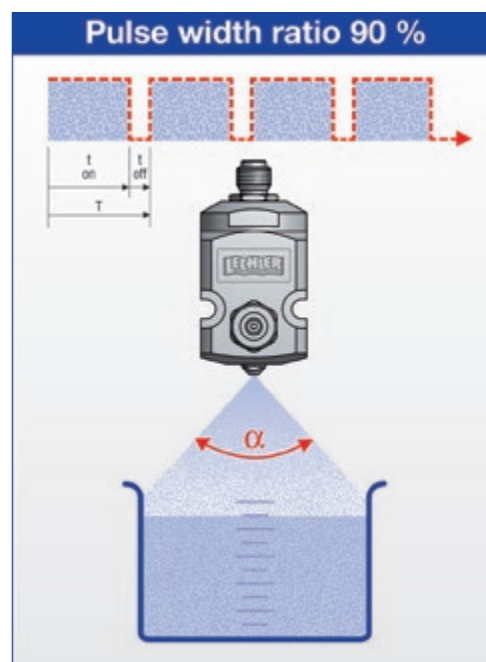
- ➔ Compliance with legal requirements

What is pulse width modulation?

Pulse width modulation refers to the variation of the ON time t_{on} / OFF time t_{off} of a square-wave signal when the frequency f remains constant. Here, the frequency f corresponds to the reciprocal value of the period duration T .

The ratio of the ON time t_{on} to the period duration T is referred to as the pulse width ratio (DC = duty cycle). The pulse width ratio determines the flow rate. The valve is open during the ON time t_{on} . The shorter the DC, the less the flow rate.

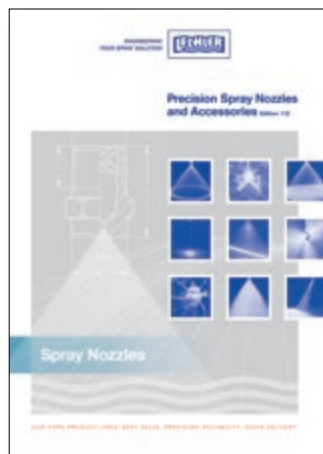
Depending on the frequency selected, the pulsation is barely visible to the human eye.









YOU WILL FIND OTHER NOZZLES FOR USE IN THE FOOD AND BEVERAGE INDUSTRY IN OUR STANDARD CATALOGUE ...

The catalogue "Precision Spray Nozzles and Accessories" is a sought-after manual of nozzle technology.

It contains valuable working aids and extensive technical information on Lechler products and ordering instructions.



Pneumatic atomizing nozzles	Series	Spray-pattern supply	Mode of liquid	Mixing of Fluids		\dot{V} Water [l/h]	Application/Construction	Catalogue Page
	166	Full cone or Flat fan	Pressure principle	inside or outside	20° 45° 60° 80°	0.10 – 132.90	Humidification of air, cooling, disinfection (e.g. bottles), coating, dosing, release agent applications.	1.20-1.25
Flat fan nozzles	Series		\dot{V} [l/min] at p = 2 bar	Connection	Application/Construction	Catalogue Page		
	610	20° 30° 45° 60° 75° 90° 120°	0.05 – 4.00	1/8 BSPP	Cleaning (e.g. surfaces, filters, belts), crate washers, lubricating, coating. Compact design, suited for narrow installation conditions.	4.10		
	612	20° 30° 45° 60° 75° 90° 120°	0.05 – 16.00	1/4 BSPP	Cleaning (e.g. surfaces, filters, belts), crate washers, lubricating, coating. Compact design, suited for narrow installation conditions.	4.12		
Solid stream nozzle	Series	\dot{V} [l/min]	Connection	Application/Construction	Catalogue Page			
	544	0.04 – 10.00	1/8 BSPT 1/4 BSPT	Cleaning installations. Optimized flow technology. Highest jet power. Solid stream jet.	5.4			

... AND IN OUR SPECIAL BROCHURES

We have a collection of information, included in individual subject brochures, covering special nozzles that are also of particular interest to food and beverage.

All documents can be downloaded from our website at www.lechler.com. We would also be happy to send you the brochures.



Brochure "Tank and Equipment Cleaning Nozzles"

Brochure "Air Nozzles and Accessories"

Brochure "VarioSpray"

Brochure "Pneumatic Atomizing Lances"

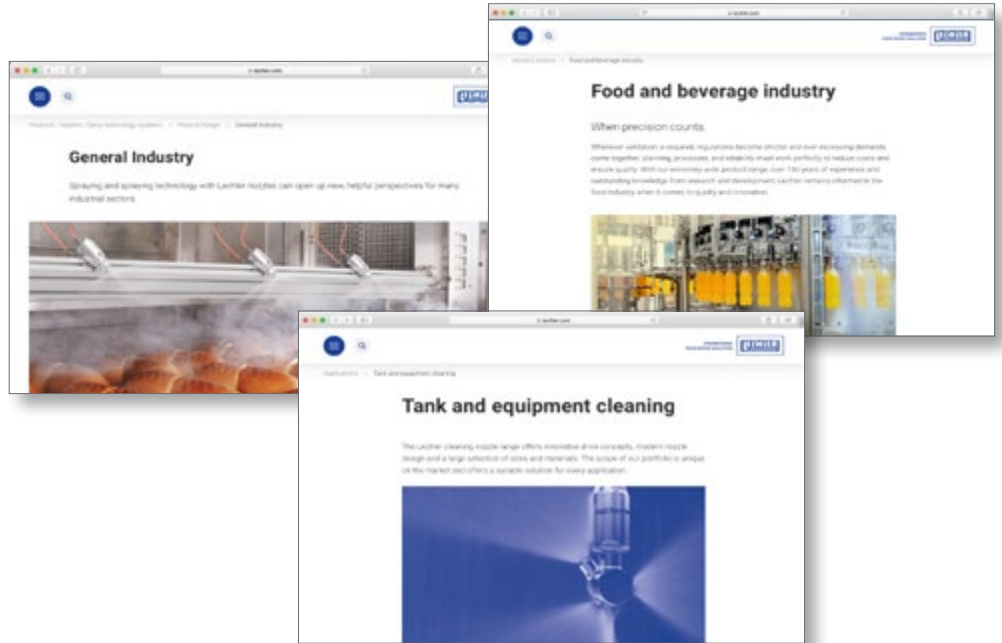
ONLINE-SERVICES

FULL INFORMATION IS JUST A CLICK AWAY: THE LECHLER WEBSITE



On the internet you can also find additional information about our entire range of services, work aids, our global presence and much more besides - we look forward to your visit.

www.lechler.com



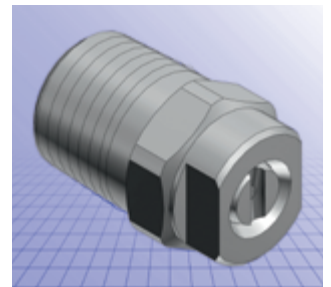
3D DESIGN DATA FOR YOUR WORK



3D design data for Lechler nozzles and accessories is now available to you free of charge for your design work.

<http://lechler.partcommunity.com>

- Time-saving, immediate download of design drawings and technical data
- Simple, fast product selection
- Preview function with product photo and 3D graphics
- All popular 3D formats available
- Free use following one-time registration



LECHLER INDUSTRY APP



Android (Google)



iOS (Apple)



All important calculation and conversion programs for nozzle technology combined in one App.

- Unit converter for pressure, volume and flow rate
- Pressure/flow rate calculator for single-fluid nozzles incl. axial-flow full cone nozzles
- Calculation of pipe diameters

**ENGINEERING
YOUR SPRAY SOLUTION**



Lechler GmbH · Precision Nozzles · Nozzle Systems

Ulmer Strasse 128 · 72555 Metzingen, Germany · Phone +49 7123 962-0 · info@lechler.de · www.lechler.com

ASEAN: Lechler Spray Technology Sdn. Bhd. · 22, Jln. Astaka 4B/KU2 · Bdr. Bukit Raja · 41050 Klang · Malaysia · Phone +603 3359 1118 · info@lechler.com.my

Belgium: Lechler S.A./N.V. · Avenue Newton 4 · 1300 Wavre · Phone +32 10 225022 · info@lechler.be

China: Lechler Nozzle Systems (Changzhou) Co., Ltd. · No.99 Decheng Rd, Jintan, Changzhou, JS 213200, P.R.C · Phone +86 519-6822 8088 · info@lechler.com.cn

Finland: Lechler Oy · Ansatie 6 a C 3 krs · 01740 Vantaa · Phone +358 207 856880 · info@lechler.fi

France: Lechler France SAS · Parc de la Haute Maison · 6, Allée Képler, Bâtiment C2 · 77420 Champs-sur-Marne · Phone +33 1 49882600 · info@lechler.fr

Great Britain: Lechler Ltd. · 1 Fell Street, Newhall · Sheffield, S9 2TP · Phone +44 114 2492020 · info@lechler.com

India: Lechler (India) Pvt. Ltd. · Plot B-2 · Main Road · Wagle Industrial Estate Thane · 400604 Maharashtra · Phone +91 22 40634444 · lechler@lechlerindia.com

Italy: Lechler Spray Technology S.r.l. · Via Don Dossetti, 2 · 20080 Carpiano (Mi) · Phone +39 2 98859027 · info@lechleritalia.com

Russia: Lechler Rus · OOO, 108811, Moscow, Settlement Moskovskiy, Kiewskoe Chaussee km 22 · Object 4, Bld. 2, Block G, Floor 6, Office 601/G · info@lechler-rus.ru

Spain: Lechler, S.A. · C / Isla de Hierro, 7 – Oficina 1.3 · 28703 San Sebastián de los Reyes (Madrid) · Phone +34 91 6586346 · info@lechler.es

Sweden: Lechler AB · Hävertgatan 29 · 252 423 Helsingborg · Phone +46 18 167030 · info@lechler.se

USA: Lechler Inc. · 445 Kautz Road · St. Charles, IL 60174 · Phone +1 630 3776611 · info@lechlerusa.com