

PLC

POWER LUBE CONTROL®



Remote Lubrication Monitoring



INDUSTRY 4.0



Why PLC?

Practical, theoretical, and statistical experiences prove that failure in lubrication systems is the main cause of high maintenance costs.

The founders of Power Lube Control, immersed in engineering and practical applications in the field of industrial lubrication, have embarked on the creation of a tool that meets all constraints encountered in operations and R&D.

The Power Lube Control kit including the Power Lube Sensor, Box Recorder and Monitor, offers a permanent monitoring system that indicates lubrication failures.

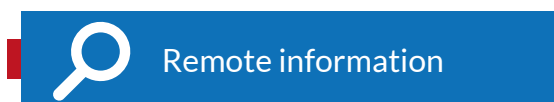
Our Strengths:



Permanent Monitoring



Reliability



Remote information



Safety



Simplicity



Costs saving

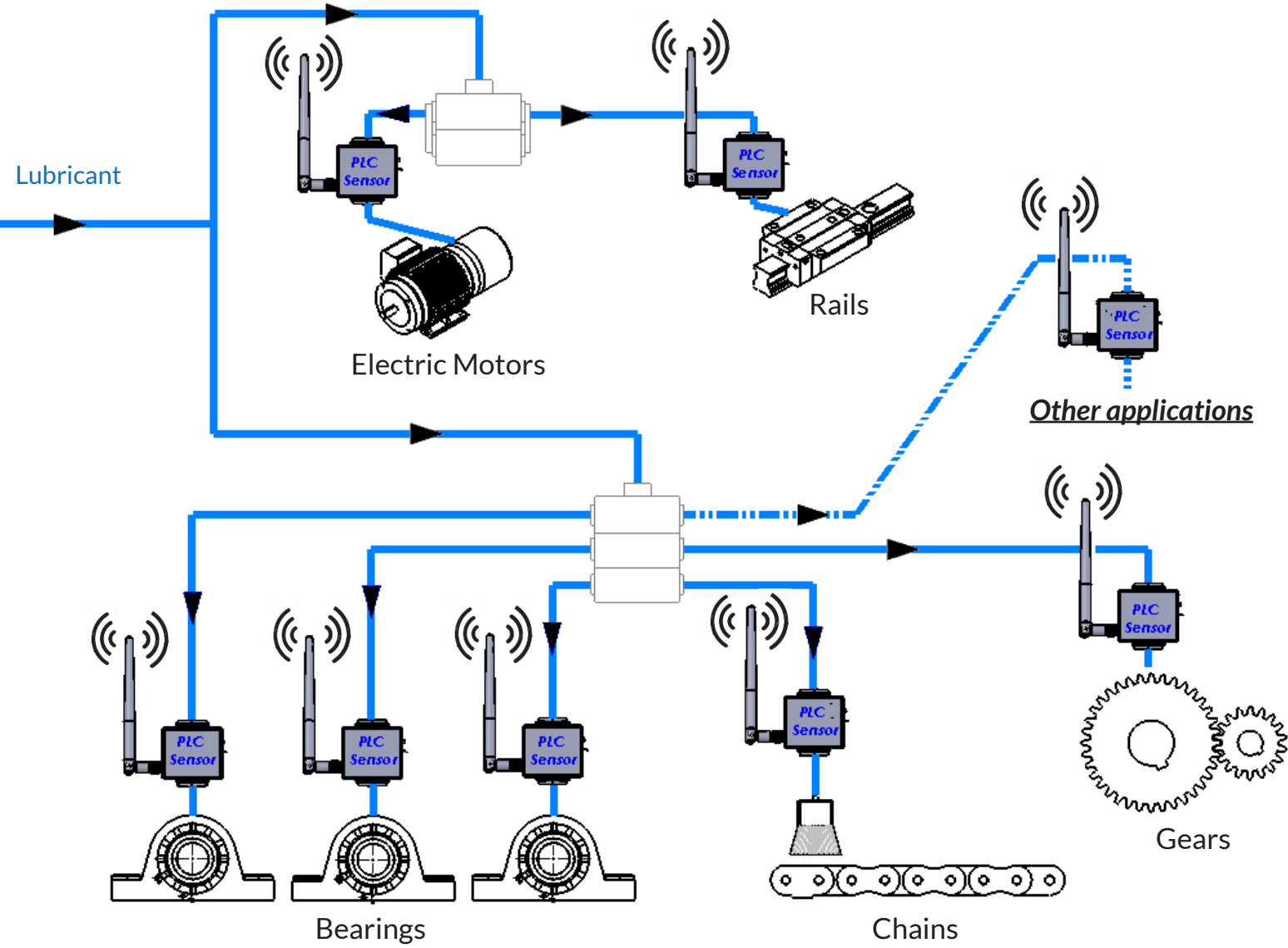


» Indispensable concept for industry 4.0

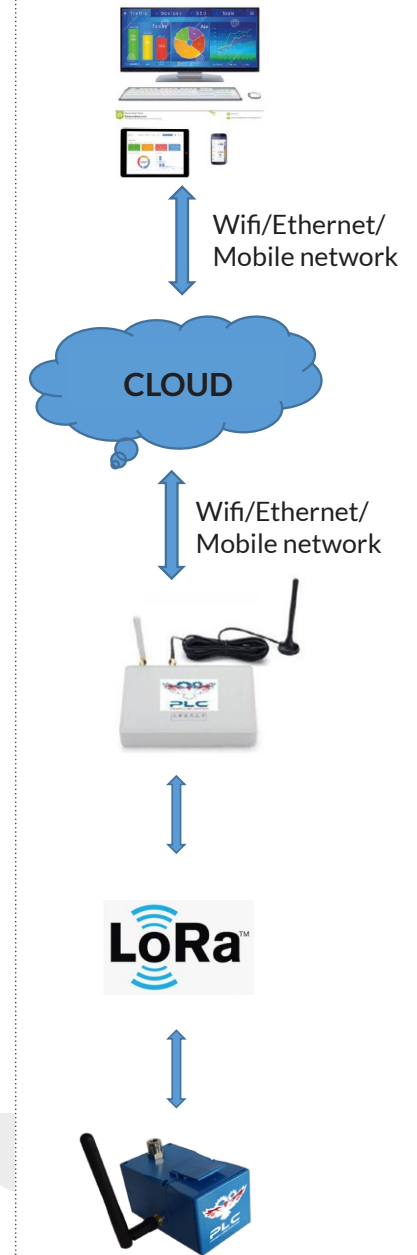
» Added value for your CMMS

» Machine breakdown avoided

Installation supply



Industry 4.0



Power Lube Sensor®

- » Power Lube Sensor
- » Available 3.6V battery or 24V supply
- » Fixed on the existing entry grease point or with extension tube
- » Resistant to harsh industrial environment
- » Usable with all types of pumps.
- » Usable with grease or oil
- » Usable with single or dual lube system

Power Lube Box Recorder®

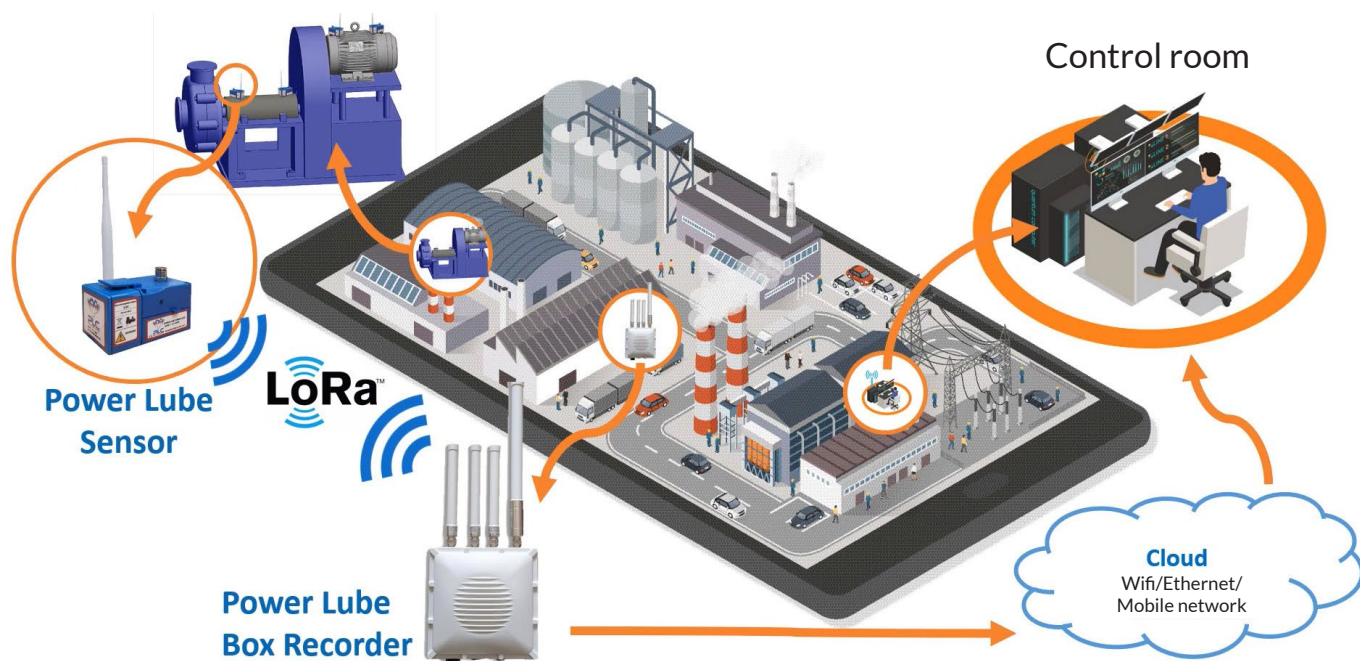
- » Information transmitted over long distance with protocol LoRa
- » Information managed up to 100 units of Power Lube Sensor
- » Very resistant composite material

Power Lube Monitor®

- » Embedded Smartphone technology
- » Complete and precise Dashboard reporting
- » Lubrication failure sets off alarms
- » Register on lubrication information
- » Total back Up



Transmission



Summary

- » Permanent Monitoring
- » Lubrication failure sets off alarms
- » Reliability
- » Fast and simple installation
- » Flexible and compatible
- » Costs saving
- » Machine breakdown avoided
- » Respect personal safety



TYPICAL APPLICATIONS



PETROCHEMICALS



AUTOMOTIVE



QUARRIES



FOOD



WIND



STEEL INDUSTRY/METALLURGY



PAPER AND CARDBOARD MILLS



TEXTILE

CONTACT :

✉ info@powerlubecontrol.com

🌐 www.powerlubecontrol.com



📍 Rue de l'Épinette, 85
7712 Herseaux (Belgique)