



PRECISION
THROUGHPUT
FLEXIBILITY
REDEFINED



UNLEASH THE **POWER** OF **HIGH-THROUGHPUT
MULTIPLEXING** IN YOUR LABORATORY



PERFORMANCE AND RELIABILITY

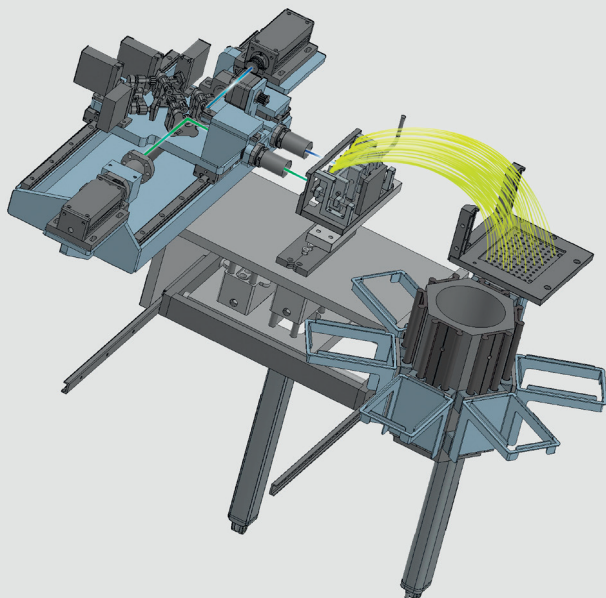
TIRED OF WAITING FOR RESULTS? TRY TO INCREASE YOUR THROUGHPUT!

Multiplex for Precision

The Cello is equipped with **two lasers** and four detection channels, for simultaneous interference-free detection. You can run multiple samples in the same capillary, or add internal controls to boost both sensitivity and specificity of your assays.

High-Throughput Redefined

Dramatically increases your lab's productivity! With **96 capillaries**, and the possibility to load up to four 96-well plates simultaneously, the Cello processes large batches of samples automatically, with minimal intervention. This setup is ideal for high-volume testing environments, reducing turnaround times and increasing workflow efficiency.



2 LASERS
4 CHANNELS
96 CAPILLARIES

Cello

Capillary Electrophoresis Evolution



Dual laser system ensures interference-free detection across **four channels**.



Running **96 samples concurrently** cuts down operational time.



Advanced optical detection system captures data with **high sensitivity**.



Customisable settings allow tailored analysis across various molecular sizes and types.



Personalised setup and optimisation based on your lab's workflow.



Ongoing **support and maintenance** plans to ensure continuous operation.



ADVANCED SENSITIVITY
AND RESOLUTION

DELIVERING PRECISION IN EVERY ANALYSIS



Fragment Analysis

Superior Sensitivity and Resolution

The Cello provides outstanding sensitivity and resolution, making it an excellent choice for applications such as Sanger sequencing, fragment analysis, protein separation and much more.

Versatility of Application

Beyond DNA and RNA analysis, the Cello adapts seamlessly to proteomics. Whether you're detecting minor genetic variants or analysing complex protein structures, the Cello delivers reliable and reproducible results.

COMPREHENSIVE SUPPORT
AND CUSTOMISATION

ADAPTED TO MATCH YOUR NEEDS, SUPPORTED FOR PERFORMANCE

Dedicated Technical Support

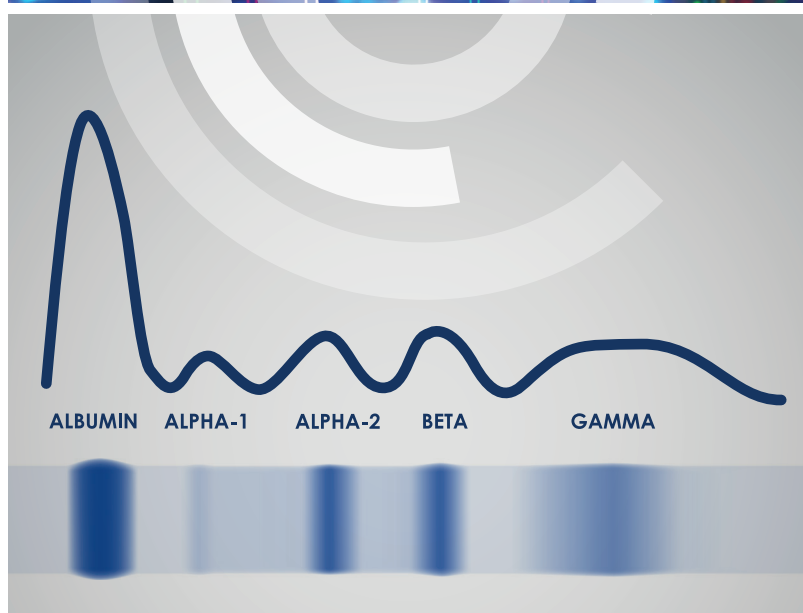
We built this instrument ourselves, we know how it works. We are committed to ensuring your success. From before you even purchase the Cello, you will receive comprehensive technical support and training, from installation to ongoing operation.

Customisation Options

Understanding that every laboratory's needs are unique, the Cello offers extensive customisation options. Whether you're integrating the instrument into an existing setup, or developing new analytical protocols, we can adapt both the hardware and the software to match your needs.



Sanger Sequencing



Protein separation



**DISCOVER HOW THE CELLO CAN TRANSFORM
YOUR MOLECULAR ANALYSIS CAPABILITIES**

Cello
Capillary Electrophoresis Evolution

is a REM Analytics project



REMANALYTICS

CONTACT US TODAY TO SCHEDULE A DEMONSTRATION!

REM Analytics SA
Rte. de l'Île-au-Bois 1a - 1870 Monthey - Switzerland
info@remanalytics.ch
www.remanalytics.ch