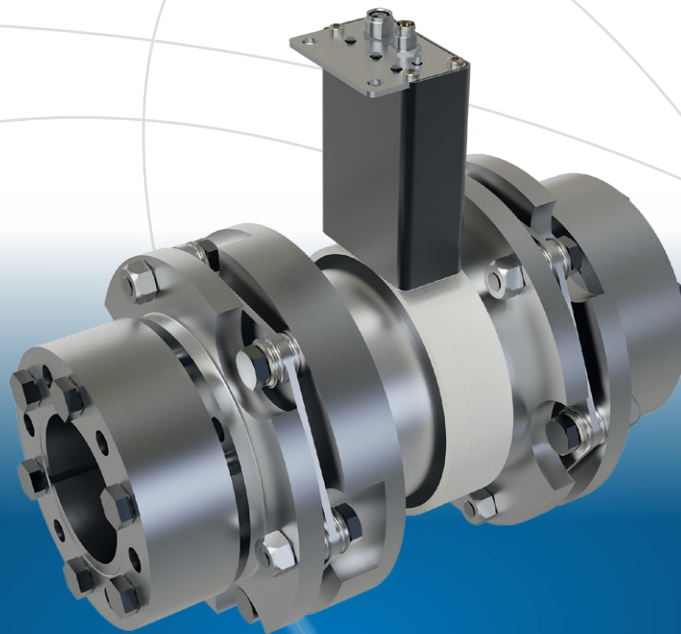




your reliable partner



ROBA[®]-drive-checker

ROBA®-drive-checker – the measuring machine element

The torque-measuring shaft coupling ROBA®-drive-checker is a new component in the tried-and-tested modular system of our backlash-free ROBA®-DS disk pack coupling. The main elements of the ROBA®-drive-checker are the multi-gateway and sleeve. The multi-gateway ensures robust, reliable data transfer – as a transmitter and receiver. The sleeve between two misalignment-compensating ROBA-DS disk packs measures the torque with proven strain gauge technology. The system permits uncomplicated condition monitoring of machines and systems as well as calibration when installed. With data from the coupling, machines can be optimally integrated into smart production environments. The drive line is made fit for Industry 4.0 with a minimal investment. The user maintains complete control of their data. External cloud systems or software from third parties are unnecessary. The ROBA-drive-checker has been developed in its entirety by *mayr*®. The complete package is delivered from a single source.

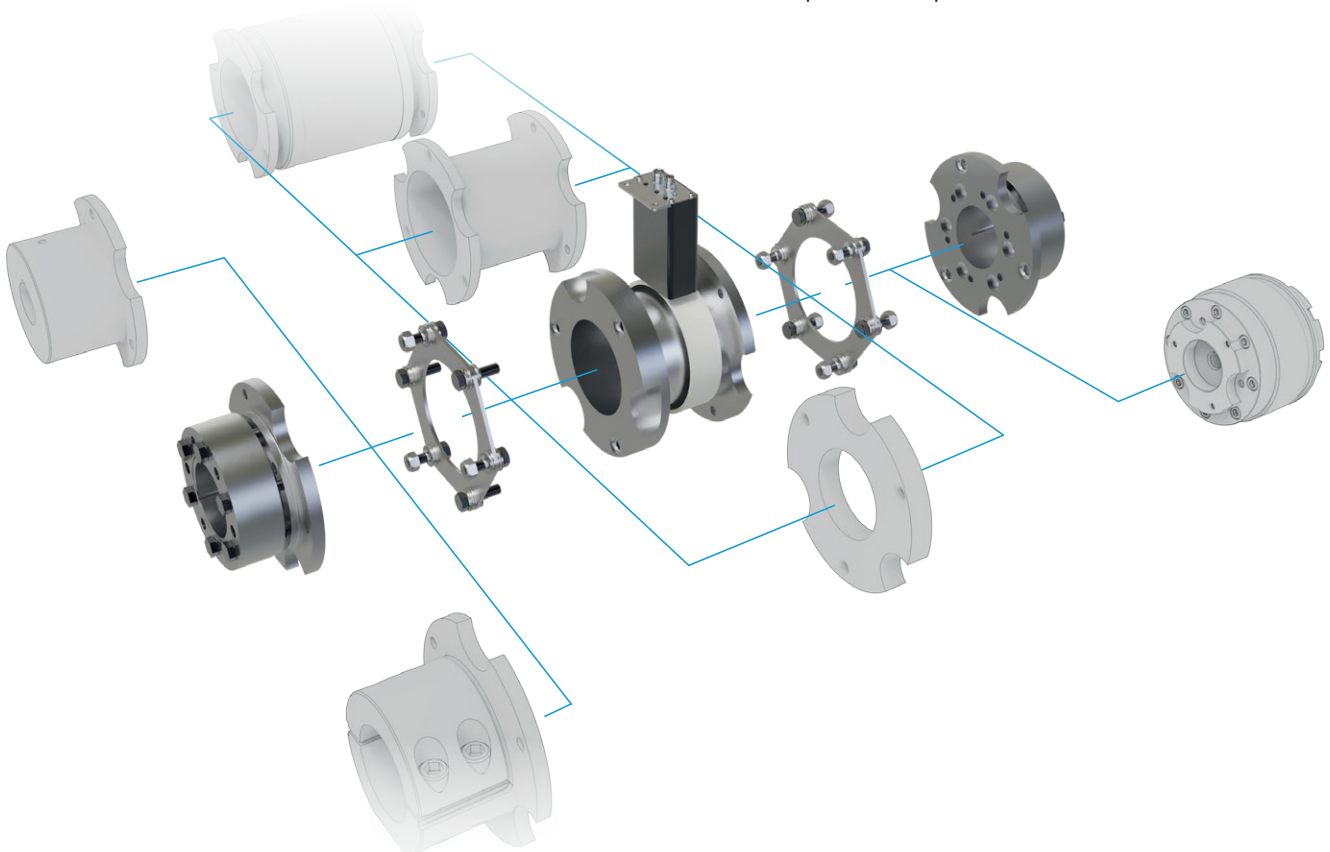
Easy integration

- Easy to integrate in the drive line as part of the ROBA®-DS standard modular system
- All connection options of the ROBA®-DS steel disk pack coupling are available
- Connection to EAS® torque limiters possible
- Multi-gateway easy to position thanks to optical markings on rotor and multi-gateway as well as traffic light LED signals
- No battery changes or charging necessary
- One size fits all – the multi-gateway has the same compact form factor for all construction sizes

Valuable data for maximum productivity

The ROBA®-drive-checker's multi-gateway ensures energy transfer and sends and receives data. This way it monitors the machine, delivers various information from the drive line reliably and is not affected by interference. In addition, adjustments can be made after the system is mounted.

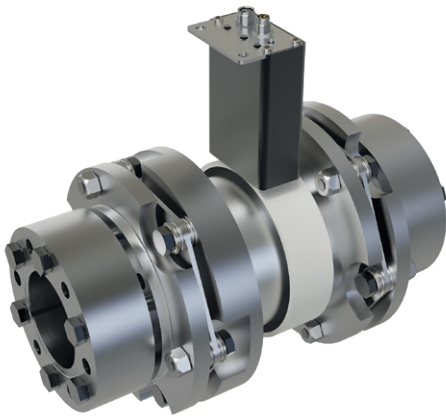
- Safe and interference-free connection via Ethernet
- Proven analog outputs for easy integration in existing systems; analog bandwidth up to 1.5 kHz
- Digital signal input and output
- Display on web-based, clear dashboard
- Contactless energy transfer
- Interference-free data transmission, even from the housing; IP65 protection – suitable for harsh environments
- Torque, speed and temperature measurable; further parameters possible in future



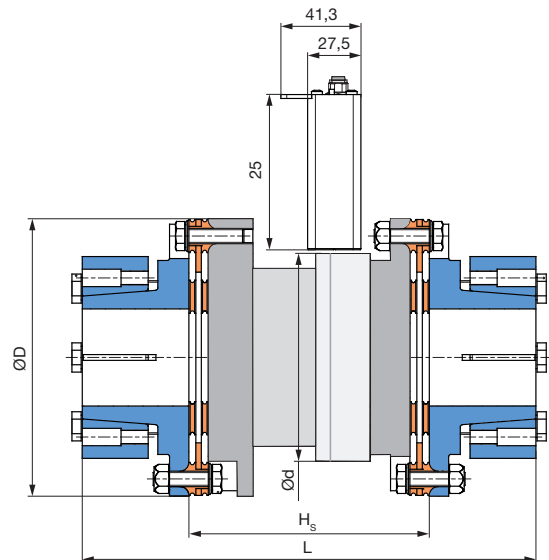
Practical operation

The ROBA®-drive-checker has been designed for practical use. Quickly readable signals can be identified easily and reliably, without leaving any room for misinterpretation.

- Sampling rate, resolution and other parameters can be set directly on the dashboard
- Status check directly on the device via quickly identifiable LED signal
- Simple startup with only one physical switch on the multi-gateway
- Industrial network port with low error potential in the connection



Dimensions [mm]	Size			
	16	40	100	160
D	77	104	143	167
d	70	86	107	131
H	107.7	116.8	124	144.7
L	177.7	206.8	234	264.7



Technical Data			Size				
			16	40	100	160	
Nominal torque	T_{KN}	[Nm]	190	450	800	1600	
Peak torque	T_{KS}	[Nm]	285	675	1200	2400	
Maximum speed	n_{max}	[rpm]	13600	10100	7300	6200	
Permitted misalignments ⁶⁾	perm. axial displacement	ΔK_a	[mm]	1.1	1.5	2.1	2.5
	perm. angular misalignment	ΔK_w	[°]	1	1	1	1
	perm. radial misalignment	ΔK_r	[mm]	1.7	1.9	2.0	2.3
Supply voltage DC		[V]	24				
Max. current consumption		[A]	0.5				
Analog current signal output		[mA]	4...20				
Analog voltage signal output		[V]	0...10				
Digital signal output			MQTT, http, Modbus/TCP				
Temperature range		[°C]	-20 to +70				
Protection			IP65				
Max. effective torque sampling rate		[Hz]	5000				
Max. torque total errors			1% of final value				

Headquarters

Chr. Mayr GmbH + Co. KG
Eichenstraße 1, D-87665 Mauerstetten
Tel.: +49 83 41/8 04-0, Fax: +49 83 41/80 44 21
www.mayr.com, E-Mail: public.mayr@mayr.com



Service Germany/Austria

Baden-Württemberg
Esslinger Straße 7
70771 Leinfelden-Echterdingen
Tel.: 07 11/78 26 26 40
Fax: 07 11/78 26 26 39

Bavaria
Industriestraße 51
82194 Gröbenzell
Tel.: 0 81 42/50 19 808

Chemnitz
Bornauer Straße 205
09114 Chemnitz
Tel.: 03 71/4 74 18 96
Fax: 03 71/4 74 18 95

Franken
Unterer Markt 9
91217 Hersbruck
Tel.: 0 91 51/81 48 64
Fax: 0 91 51/81 62 45

Kamen
Herbert-Wehner-Straße 2
59174 Kamen
Tel.: 0 23 07/24 26 79
Fax: 0 23 07/24 26 74

North
Schiefer Brink 8
32699 Extertal
Tel.: 0 57 54/9 20 77
Fax: 0 57 54/9 20 78

Rhine-Main
Kohlhäuser Str. 3-5
36043 Fulda
Tel.: 06 61/96 21 02 15

Austria
Pummerinplatz 1, TIZ I, A27
4490 St. Florian, Austria
Tel.: 0 72 24/2 20 81-12
Fax: 0 72 24/2 20 81 89

Branch office

China
Mayr Zhangjiagang
Power Transmission Co., Ltd.
Fuxin Road No.1298, Yangshe Town
215637 Zhangjiagang
Tel.: 05 12/58 91-75 67
Fax: 05 12/58 91-75 66
info@mayr-ptc.cn

France
Mayr France S.A.S.
Z.A.L. du Minopole
Rue Nungesser et Coli
62160 Bully-Les-Mines
Tel.: 03.21.72.91.91
Fax: 03.21.29.71.77
contact@mayr.fr

Great Britain
Mayr Transmissions Ltd.
Valley Road, Business Park
Keighley, BD21 4LZ
West Yorkshire
Tel.: 0 15 35/66 39 00
Fax: 0 15 35/66 32 61
sales@mayr.co.uk

Italy
Mayr Italia S.r.l.
Viale Veneto, 3
35020 Saonara (PD)
Tel.: 049/879 10 20
Fax: 049/879 10 22
info@mayr-italia.it

Japan
Mayr Japan LLC
2F, 1-1-9 Nihonbashi Kakigara-cho,
Chuo-ku Tokyo, 103-0014 Japan
Tel.: 03/35 27-29 00
Fax: 03/35 27-26 61
public.mayr@mayr.co.jp

Singapore
Mayr Transmission (S) PTE Ltd.
No. 8 Boon Lay Way Unit 03-06,
TradeHub 21
Singapore 609964
Tel.: 00 65/65 60 12 30
Fax: 00 65/65 60 10 00
info@mayr.com.sg

Switzerland
Mayr Kupplungen AG
Tobelackerstraße 11
8212 Neuhausen am Rheinfall
Tel.: 0 52/6 74 08 70
Fax: 0 52/6 74 08 75
info@mayr.ch

USA
Mayr Corporation
10 Industrial Avenue
Mahwah
NJ 07430
Tel.: 2 01/4 45-72 10
Fax: 2 01/4 45-80 19
info@mayrcorp.com

Representatives

Australia
Drive Systems Pty Ltd.
8/32 Melverton Drive
Hallam, Victoria 3803
Australia
Tel.: 0 3/97 96 48 00
info@drivesystems.com.au

India
National Engineering
Company (NENCO)
J-225, M.I.D.C.
Bhosari Pune 411026
Tel.: 0 20/27 13 00 29
Fax: 0 20/27 13 02 29
nenco@nenco.org

Netherlands
Groneman BV
Amarilstraat 11
7554 TV Hengelo OV
Tel.: 074/2 55 11 40
Fax: 074/2 55 11 09
aandrijftechniek@groneman.nl

Poland
Wamex Sp. z o.o.
ul. Pozaryskiego, 28
04-703 Warszawa
Tel.: 0 22/6 15 90 80
Fax: 0 22/8 15 61 80
wamex@wamex.com.pl

South Korea
Mayr Korea Co. Ltd.
15, Yeondeok-ro 9beon-gil
Seongsan-gu
51571 Changwon-si
Gyeongsangnam-do. Korea
Tel.: 0 55/2 62-40 24
Fax: 0 55/2 62-40 25
info@mayrkorea.com

Taiwan
German Tech
Component Co., Ltd.
No.10-3, Ln. 358, Sec. 1,
Hemu Rd., Shengang Dist.,
429012 Taichung City
Tel.: +886 (4) 25150566
Fax: +886 (4) 25152413
abby@zfgta.com.tw

Czech Republic
BMC - TECH s.r.o.
Hviezdoslavova 29 b
62700 Brno
Tel.: 05/45 22 60 47
Fax: 05/45 22 60 48
info@bmc-tech.cz

Turkey
Representative Office Turkey
Kucukbakkalkoy Mah.
Brandium Residence R2
Blok D:254
34750 Atasehir - Istanbul, Turkey
Tel.: 02 16/2 32 20 44
Fax: 02 16/5 04 41 72
info@mayr.com.tr

More representatives:

Belgium, Brazil, Canada, Colombia, Croatia, Denmark, Finland, Greece, Hongkong, Hungary, Indonesia, Israel, Luxembourg, Malaysia, Mexico, New Zealand, Norway, Philippines, Portugal, Romania, Russia, Slovakia, Slovenia, South Africa, Spain, Sweden, Thailand

You can find the complete contact details for the representative responsible for your area in the Contact section at www.mayr.com

